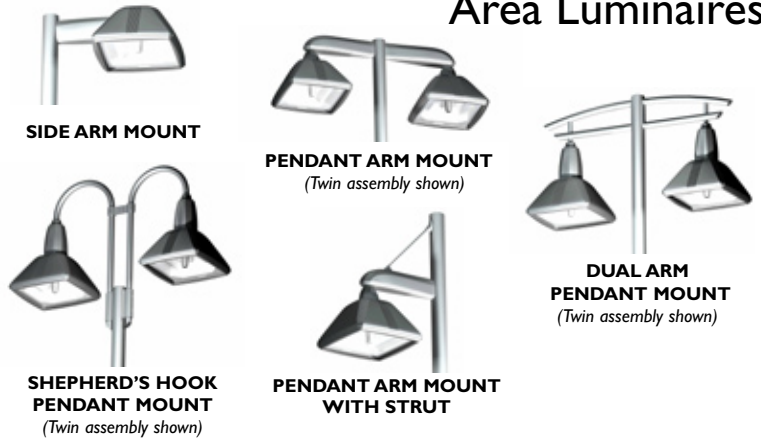


Job:
Type:
Notes:



Area Luminaires

The Gardco Pyramid is an area luminaire defined by its variety of distinct styles, rugged construction and excellent vertical lamp performance. The housing is die cast aluminum. Pyramid is available in side arm mount, pendant arm mount, pendant arm mount with strut, decorative dual arm pendant mount and decorative shepherd's hook pendant mount. The multifaceted arc-image duplicating optical systems provide IES Types II, III, IV and V distributions. Pyramid utilizes CosmoPolis™ and MasterColor® Elite high performance ceramic metal halide electronic systems and is suitable for high intensity discharge lamps up to 400 watts. The door frame is single-piece die cast aluminum and retains an optically clear tempered flat glass lens. The luminaire is completely sealed and gasketed preventing intrusion from moisture, dust and insects. Pyramid luminaires are finished with a fade and abrasion resistant TGIC powdercoat. Flat glass lens luminaires provide full cutoff performance.



PREFIX	MOUNTING	DISTRIBUTION	WATTAGE	VOLTAGE	FINISH	OPTIONS
<input type="text"/>	<input type="text"/>	<input type="text"/>	<input type="text"/>	<input type="text"/>	<input type="text"/>	<input type="text"/>

Enter the order code into the appropriate box above. Note: Gardco reserves the right to refuse a configuration. Not all combinations and configurations are valid. Refer to notes below for exclusions and limitations. For questions or concerns, please consult the factory.

PREFIX

PA22	22" Pyramid Side Arm Mount
PPA22	22" Pyramid Pendant Arm Mount
PPS22	22" Pyramid Pendant Arm Mount with Strut
PPD22	22" Pyramid Dual Arm Pendant Mount
PSH22	22" Pyramid Shepherd's Hook Pendant Mount

MOUNTING

1	Single Assembly
2	Twin Pole Mount at 180°
2@90	Twin Pole Mount at 90°
3	3-way Pole Mount at 90°
3@120¹	3-way Pole Mount at 120°
4	4-way Pole Mount

1. Not available in PSH22.

DISTRIBUTION

2XP	Type II	Pyramid features vertical lamp optics in all distributions.
3XP	Type III	
4XP	Type IV	
5XP	Type V	

WATTAGE

Pulse Start MH Magnetic Ballast	70MH²	150MH²	250PSMH³ (E)	350PSMH³ (E)
	100MH²	175PSMH³ (E)	250PS90* (E)	400PSMH³ (E)
Ceramic MH Electronic Ballast	70CMHE⁶	100CMHE⁶	150CMHE⁶ (E)	
	CosmoPolis™ Electronic System	60CMPE^{4,5}	90CMPE^{4,5}	140CMPE^{4,5}
MasterColor® Elite Electronic System		210MCE-3K^{4,5} (E)	315MCE-3K^{4,5} (E)	
	210MCE-4K^{4,5} (E)	315MCE-4K^{4,5} (E)		
Pulse Start MH Electronic Ballast	250PSE⁵ (E)	320PSE^{3,5} (E)	350PSE^{3,5} (E)	400PSE^{3,5} (E)
High Pressure Sodium Magnetic Ballast	70HPS	150HPS	400HPS	
	100HPS	250HPS		
Wattages marked with Circle "E" meet federal energy efficiency standards applicable to 150 watt through 500 watt metal halide luminaires only.				

VOLTAGE

120⁸	208
240	277
347⁷	480⁷
200-277 CMPE, MCE and PSE types only.	
UNIV CMHE types only.	

2. 150 watt MH and below are Pulse Start by design.
3. Requires E28/BT28 lamp.
4. Electronic lamp and ballast dedicated system. CosmoPolis™ and MasterColor® Elite systems are supplied with lamp. For MCE types, "-3K" suffix indicates 3,000°K lamp and "-4K" suffix indicates 4,000°K lamp.
5. CMPE types available 120V and 200-277V only. MCE and PSE types available 200-277V only.
6. CMHE types feature an electronic MH ballast that accepts 120V through 277V, 50hz to 60hz, input.
7. 347V and 480V not available with CMHE, CMPE, PSE or MCE types.
8. 120V not available in PSE or MCE types.

* 250 watt Pulse Start Metal Halide with a 90% efficient magnetic ballast. Complies with California Title 20 effective 1/1/2010. Available in 120, 208, 240 or 277V only.

1611 Clovis Barker Road, San Marcos, TX 78666
(800) 227-0758 (512) 753-1000 FAX: (512) 753-7855 sitelighting.com

© 2010 Koninklijke Philips Electronics N.V. All Rights Reserved.

Philips Gardco reserves the right to change materials or modify the design of its product without notification as part of the company's continuing product improvement program.

G200-002/1010

PHILIPS



FINISH

BRP	Bronze Paint
BLP	Black Paint
BGP	Beige Paint
WP	White Paint
NP	Natural Aluminum Paint
LSP	Light Sandstone Paint
DSP	Dark Sandstone Paint
RBP	Red Brick Paint
LGP	Light Granite Paint
DGP	DarkGranite Paint
OC	Optional Color Paint Specify <i>Optional Color</i> or RAL ex: OC-LGP or OC-RAL7024.
SC	Special Paint Specify. Must supply color chip.

OPTIONS

F	Fusing In Head
LF	In-Line/In-Pole Fusing
PC⁹	Photocontrol and Receptacle
PCR	Photocontrol Receptacle only
POLY¹⁰	External Polycarbonate Shield
HS⁸	Internal Houseside Shield
QS¹¹	Quartz Standby
QST¹¹	Quartz Standby - Timed Delay
Q924¹¹	Quartz Emergency
QT924¹¹	Quartz Emergency - Timed Delay

PTF2¹²	Pole Top Fitter - 2 3/8" - 3" Dia. Tenon
PTF3¹²	Pole Top Fitter - 3" - 3 1/2" Dia. Tenon
PTF4¹²	Pole Top Fitter - 3 1/2" - 4" Dia. Tenon
GMR¹³	Provision for Gardco Motion Response
WG	Wire Guard
L6¹⁴	LumiStep™ Ballast 6 hour
L8¹⁴	LumiStep™ Ballast 8 hour
L10¹⁴	LumiStep™ Ballast 10 hour

(Note 11) QS / Q924 Table	
HID Lamp Watts	Maximum Quartz Lamp Watts
175 watts or less	100 watts
Above 175 watts	150 watts

9. Not available with 480V. Provide specific input voltage.

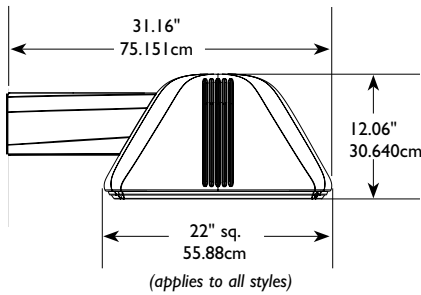
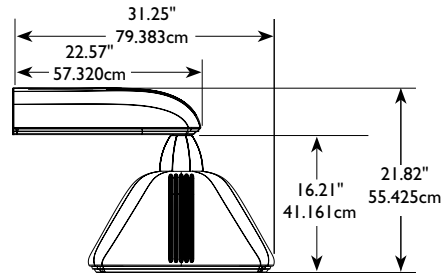
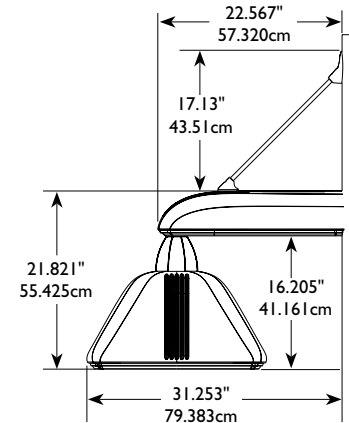
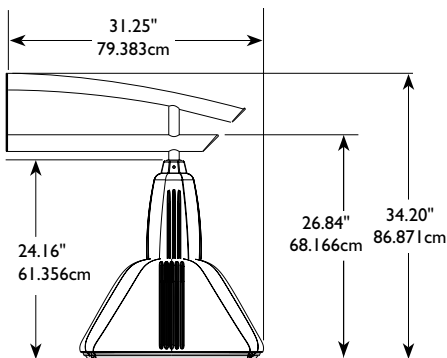
10. Polycarbonate shields carry 1 year warranty only.

11. See QS / Q924 Table.

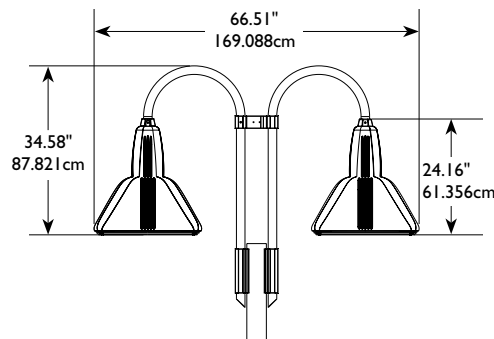
12. Not available in 120° mounting configurations. Not available with PPS22 or PPD22.

13. Available only with 175PSMH through 400PSMH and 150HPS through 400HPS wattages. Includes dual-level capacitor and wiring to connect to Gardco Motion Response System.

14. Available with CosmoPolis™ system only. See submittal sheet GE200-005 for complete information on LumiStep™ ballasts.

DIMENSIONS AND EPA
PA22 - SIDE ARM MOUNT

PPA22 - PENDANT ARM MOUNT

PPS22 - PENDANT ARM MOUNT WITH STRUT

PPD22 - DUAL ARM PENDANT MOUNT

PSH22 - SHEPHERD'S HOOK PENDANT MOUNT

(Twin Assembly Shown on 4" Round Pole)



Pyramid Style	EPA (Effective Projected Area)			Single Luminaire Weight
	1	2	3/4	
PA22	1.8 ft ² .168 m ²	3.6 ft ² .335 m ²	4.8 ft ² .446 m ²	40 lbs 18.14 kg
PPA22	2.0 ft ² .186 m ²	3.9 ft ² .363 m ²	5.2 ft ² .484 m ²	44 lbs 19.96 kg
PPS22	2.0 ft ² .186 m ²	4.0 ft ² .372 m ²	5.3 ft ² .493 m ²	47 lbs 21.32 kg
PPD22	2.5 ft ² .233 m ²	5.0 ft ² .465 m ²	6.7 ft ² .623 m ²	56 lbs 25.41 kg
PSH22	2.7 ft ² .251 m ²	5.6 ft ² .521 m ²	7.6 ft ² .707 m ²	57 lbs 25.86 kg

1611 Clovis Barker Road, San Marcos, TX 78666

(800) 227-0758 (512) 753-1000 FAX: (512) 753-7855 sitolighting.com

© 2010 Koninklijke Philips Electronics N.V. All Rights Reserved.

Philips Gardco reserves the right to change materials or modify the design of its product without notification as part of the company's continuing product improvement program.

G200-002/1010

PHILIPS


SPECIFICATIONS

GENERAL DESCRIPTION: The Gardco Pyramid is an area luminaire defined by its variety of distinct styles, rugged construction and excellent vertical lamp performance. The housing is single-piece die cast aluminum. Pyramid is available in side arm mount, pendant arm mount, pendant arm mount with strut, decorative dual arm pendant mount and decorative shepherd's hook pendant mount. The multifaceted arc-image duplicating optical systems provide IES Types II, III, IV and V distributions. Pyramid luminaires are finished with a fade and abrasion resistant TGIC powdercoat.

HOUSING: The single-piece die cast aluminum housing contains the optical system.

MOUNTING: Side arm mount, pendant arm mount, and pendant arm mount with strut luminaires attach to the pole utilizing a die cast aluminum arm, with the ballast assembly mounted in the arm. Dual arm pendant mount and shepherd's hook pendant mount luminaires include a die cast transition mounted to the top of the housing, containing the ballast assembly, connecting the housing to the upper support structure.

LENS ASSEMBLY: A single-piece die cast aluminum lens frame hinges down from the housing and is secured by a stainless steel lanyard and hinge. An optically clear, heat and impact resistant tempered flat glass lens is mechanically secured. The lens frame is firmly secured to the housing with four (4) stainless steel screws.

GASKETS: The electrical and optical system chambers are thoroughly sealed with one-piece memory retentive hollow-core extruded silicone gaskets to prevent intrusion by moisture, dust, and insects. Luminaire is IP 65 rated with independent certification.

OPTICAL SYSTEMS: The segmented optical systems are manufactured from homogenous sheet aluminum which has been electrochemically brightened, anodized and sealed. The multifaceted arc image duplicating systems are designed to produce IES Types II (2XP), III (3XP), IV (4XP), and V (5XP).

ELECTRICAL: All electrical components are UL recognized and factory tested. Electronic and magnetic HID ballasts are high power factor and mounted on a unitized plate with quick electrical disconnects. Magnetic HID ballasts are the separate component type. Electronic and magnetic HID ballasts are capable of providing reliable lamp starting down to -20°F / -29°C.

Luminaires provided with the CosmoPolis™ or MasterColor® Elite high performance ceramic metal halide electronic systems include high power factor electronic ballasts, designed specifically for the system selected.

FINISH: Each standard color luminaire receives a fade and abrasion resistant, electrostatically applied, thermally cured, triglycidal isocyanurate (TGIC) textured polyester powdercoat finish. Standard colors are as shown. Consult factory for specs on optional or custom colors.

LABELS: All luminaires bear UL or CUL (where applicable) Wet Location labels.

WARRANTY: Gardco luminaires feature a 5 year limited warranty. See Warranty Information on www.sitelighting.com for complete details and exclusions. Polycarbonate lenses and shields carry a 1 year warranty only.

FULL CUTOFF PERFORMANCE: Full cutoff performance means a luminaire distribution where zero candela intensity occurs at an angle at or above 90° above nadir. Additionally, the candela per 1000 lamp lumens does not numerically exceed 100 (10 percent) at a vertical angle of 80° above nadir. This applies to all lateral angles around the luminaire.

CUTOFF PERFORMANCE: Cutoff performance means a luminaire distribution where the candela per 1000 lamp lumens does not numerically exceed 25 (2.5 percent) at an angle at or above 90° above nadir, and 100 (10 percent) at a vertical angle of 80° above nadir. This applies to all lateral angles around the luminaire.

1611 Clovis Barker Road, San Marcos, TX 78666

(800) 227-0758 (512) 753-1000 FAX: (512) 753-7855 [sitelighting.com](http://www.sitelighting.com)

© 2010 Koninklijke Philips Electronics N.V. All Rights Reserved.

Philips Gardco reserves the right to change materials or modify the design of its product without notification as part of the company's continuing product improvement program.

G200-002/1010

PHILIPS

 **GARDCO**