

Job:
Type:
Notes:

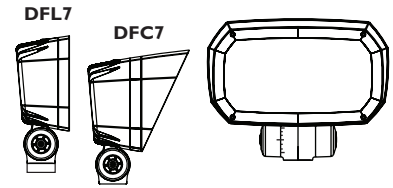


Designer Floodlight LED

Page 1 of 4

DFL7 / DFC7 - 7"

The Philips Gardco Designer Floodlight LED is an architectural LED flood luminaire with a choice of (6) precision LED optical systems. Each is designed to provide a specific distribution, minimizing stray light. Designer Floodlight LED luminaires provide performance comparable to HID units, while providing the energy saving benefits of advanced class I LED technology. The luminaires feature integral LED thermal fins to provide the thermal control so vital to LED system performance and life. The high strength die cast aluminum knuckle features an integral splice compartment eliminating the need for a supplementary junction box and thereby permitting closer to grade mounting.



PREFIX	MOUNTING	DISTRIBUTION	LED WATTAGE	LED SELECTION	VOLTAGE	FINISH	OPTIONS
<input type="text"/>	<input type="text"/>	<input type="text"/>	<input type="text"/>	<input type="text"/>	<input type="text"/>	<input type="text"/>	<input type="text"/>

Enter the order code into the appropriate box above. Note: Philips Gardco reserves the right to refuse a configuration. Not all combinations and configurations are valid. Refer to notes below for exclusions and limitations. For questions or concerns, please consult the factory.

PREFIX

Standard Flat Door

- DFL7** Designer Floodlight LED 7" with Standard Flat Door
- DFL7-DIM** Designer Floodlight LED 7" with Standard Flat Door and 0-10V Dimming

Integral Cutoff Hood Door

- DFC7** Designer Floodlight LED 7" with Cutoff Hood
- DFC7-DIM** Designer Floodlight LED 7" with Cutoff Hood and 0-10V Dimming

DISTRIBUTION

- HFL** Horizontal Flood
- VFL** Vertical Flood
- HSP** Horizontal Spot
- NSP** Narrow Spot
- MSP** Medium Spot
- WSP** Wide Spot

MOUNTING

C	Stub-up Conduit Mount. For direct mounting to (2) 1/2" (1.27cm) or 3/4" (1.91cm) GRC or IMC conduits. No j-box required. Must use factory supplied mounting insert when setting stub-ups.
J	J-Box Mount. For mounting into 1/2" (1.27cm) hub. Also suitable for direct surface mount to walls or ceilings when fed by EMT, BX, SJO, NM, etc. (For surface mount over outlet box, specify W or W90 mount).
W	Wall/Ceiling Canopy Mount. For mounting over (not to) a 4" recessed outlet box. When mounted on vertical surface, provides vertical aiming from straight down to 100° up from nadir. When mounted on a vertical surface, long axis of luminaire must be horizontal (+/-30°). Mounts directly to wall or ceiling. The surface structure must be suitable to support the luminaire. Only suitable for use on non-combustable surfaces.
WMB	Wall Mount Bullhorn. For mounting over (not to) a 4" (10.16cm) recessed outlet box. Provides full axial 180° vertical and 358° rotational aiming. Mounts direct to wall. Surface structure must be suitable to support the assembly. Outer end of WMB must be in the "straight up" position, as shown in diagram on opposite page. Luminaire mounts with the knuckle below the body of the luminaire only.
W90	Wall Arm Mount. For mounting over (not to) a 4" (10.16cm) recessed outlet box. Provides full axial 180° vertical and 358° rotational aiming range. Mounts direct to wall. Surface structure must be suitable to support the luminaire. When mounted in wet locations, luminaire must be mounted as shown in diagrams on page 3. In damp or dry locations, arm assembly may be inverted.
ST	Stanchion Mount. 18" (45.72cm) stanchion for in-ground concrete burial mounting.
SM	Surface Mount Stanchion. For mounting to 18" (45.72cm) stanchion pole assembly.

LED WATTAGE AND LUMEN VALUES

Ordering Code	Average System Watts ¹	LED Current (mA)	LED Selection	Luminaire Initial Absolute Lumens ^{2,3}					
				HFL	VFL	HSP	NSP	MSP	WSP
35LA	35	350	CW	3,298	3,223	3,387	3,349	3,425	3,399
			NW	3,133	3,015	3,179	3,104	3,245	3,252
55LA	55	530	CW	4,631	4,476	4,694	4,668	4,809	4,787
			NW	4,321	4,218	4,349	4,411	4,567	4,538
75LA	75	700	CW	5,953	5,563	6,044	5,980	6,191	6,146
			NW	5,526	5,359	5,653	5,524	5,764	5,724

- Wattage may vary by +/- 8% due to LED manufacturer forward volt specification and ambient temperature. Wattage shown is average for 120V through 277V input. Actual wattage may vary by an additional +/- 10% due to actual input voltage.
- Tests are in process for CW types marked with "*" in the table above and for all WW luminaires. Contact Gardco.applications@philips.com if approximate estimates are required for types not shown, for design purposes.
- LED arrays feature LEDs that provide from 100 to 130 lumens per watt when operated at 350 mA. Lumen values based on photometric tests performed in compliance with IESNA LM-79 on each configuration shown.

LED SELECTION

- CW** Cool White - 5700°K - 68 CRI
- NW** Neutral White - 4000°K - 75 CRI
- WW** Warm White - 3000°K - 84 CRI

1611 Clovis Barker Road, San Marcos, TX 78666

(800) 227-0758 (512) 753-1000 FAX: (512) 753-7855 sitelighting.com

© 2012 Koninklijke Philips Electronics N.V. All Rights Reserved.

Philips Gardco reserves the right to change materials or modify the design of its product without notification as part of the company's continuing product improvement program.

G200-018/0212

PHILIPS





Designer Floodlight LED

VOLTAGE

UNIV	120V through 277V, 50hz or 60hz
HVU⁴	347V through 480V, 50hz or 60hz (<i>High Voltage Universal</i>)

FINISH

BRP	Bronze Paint
BLP	Black Paint
WP	White Paint
NP	Natural Aluminum Paint
BGP	Beige Paint
VP	Verde Green Paint
OC	Optional Color Paint <i>Specify RAL designation ex: OC-RAL7024.</i>
SC	Special Color Paint <i>Specify. Must supply color chip</i>

OPTIONS

PCB	Button Type Photocontrol
BD⁵	Barn Doors
PSO⁸	Offset Polycarbonate Flat Shield
F⁶	Fusing
ESB	Extended Splice Box
WG⁷	Wire Guard
SPR	Surge Protection for 120V through 277V Input
SPRH	Surge Protection for 347V through 480V Input

Notes:

- 4. Available with 75LA, 700mA luminaires only.
- 5. Available in DFL7 only. Not available in DFC7. Barn Doors (BD) are painted to match the luminaire. Not Available with POLY or WG options.
- 6. 120V through 277V only. Specify actual input voltage being used.
- 7. Not Available with BD or POLY options. Field Installable.
- 8. Additional flat Polycarbonate shield. Not available with BD or WG options. Polycarbonate lenses carry a 1 year warranty only.

ADDITIONAL MOUNTING ACCESSORIES

- PTA** Pole top 2 3/8" (6.03cm) tenon adapter
- TAB** Twin arm bracket for use with ST or PTA
- PT2** Pole top 2 3/8" (6.03cm) tenon adapter for twin back to back luminaire mounting.

SPECIFICATIONS

HOUSING: A single-piece aluminum housing is die cast in an architectural form. A one piece extruded gasket mates with door frame.

DOOR/LENS ASSEMBLY: A heat and impact resistant 1/8" (.3175cm) tempered glass lens and one piece silicone gasket are mechanically secured to door frame. DFL7 luminaires feature a flat door and lens assembly. DFC7 luminaires include an integral cutoff hood door and lens assembly providing additional shielding from source glare.

IP RATING: Luminaire (excluding knuckle and splice compartment) is rated IP66.

KNUCKLE: The die cast aluminum knuckle features an integral splice compartment. A single captive 3/16" (.48cm) stainless steel allen-head bolt and stainless steel nut securely lock the knuckle aiming teeth in 5° increments. An opposite cover plate is removable for access to splices. The knuckle assembly is fully gasketed.

Splice Compartment Capacity	Standard Units	Luminaires with Extended Splice Box (ESB) Option
#12 AWG Conductors ⁹	5	9
#10 AWG Conductors ⁹	3	7

9. Including ground.

OPTICAL SYSTEM: Precision high performance LED lensed arrays are arranged to provide the specified lighting pattern, including Horizontal Flood, Vertical Flood, Horizontal Spot, Narrow Spot, Medium Spot and Wide Spot distributions. LED arrays are field replaceable.

ELECTRICAL: Luminaires are equipped with an LED driver that accepts 120V through 277V, or 347V through 480V, 50hz to 60hz, input. Driver output is based on the LED wattage selected. Component-to-component wiring within the luminaire will carry no more than 80% of rated current and is listed by UL for use at 600 VAC at 302°F / 150°C or higher. Plug disconnects are listed by UL for use at 600 VAC, 15A or higher. Power factor is not less than 90%. Luminaire consumes 0.0 watts in the off state. Surge protection, when provided as an option, provides protection to 10kv.

LED RELIABILITY:

PREDICTED LUMEN DEPRECIATION DATA		
Ambient Temperature °C	LED Wattage / Driver mA	L ₇₀ Hours ¹⁰
25 °C	35LA / 350 mA	230,000
	55LA / 530 mA	200,000
	75 LA / 700 mA	150,000
40 °C	35LA / 350 mA	200,000
	55LA / 530 mA	170,000
	75 LA / 700 mA	120,000

10. Predicted performance derived from LED manufacturer's data and engineering design estimates, based on IESNA LM-80 methodology. Actual experience may vary due to field application conditions. L₇₀ is the predicted time when LED performance depreciates to 70% of initial lumen output.

THERMAL MANAGEMENT: The Philips Gardco Designer Floodlight LED provides die cast aluminum integral thermal radiation fins to provide the excellent thermal management so critical to long LED system life.

FINISH: Each luminaire receives a fade and abrasion resistant, electrostatically applied, thermally cured textured, polyester powdercoat finish.

LABELS: All luminaires bear UL or CUL (where applicable) Wet Location labels.

WARRANTY: Philips Gardco luminaires feature a 5 year limited warranty. Philips Gardco LED luminaires with LED arrays feature a 5 year limited warranty covering the LED arrays. Polycarbonate lenses carry a 1 year warranty only. See Warranty Information on www.sitelighting.com for complete details and exclusions.

1611 Clovis Barker Road, San Marcos, TX 78666
(800) 227-0758 (512) 753-1000 FAX: (512) 753-7855 [sitelighting.com](http://www.sitelighting.com)

© 2012 Koninklijke Philips Electronics N.V. All Rights Reserved.

Philips Gardco reserves the right to change materials or modify the design of its product without notification as part of the company's continuing product improvement program.

G200-018/0212

PHILIPS





Designer Floodlight LED

DIMENSIONS, EPA AND MOUNTING (CONTINUED ON PAGE 4)

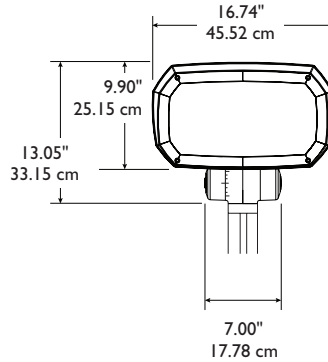
DFL7 with Standard Flat Hood



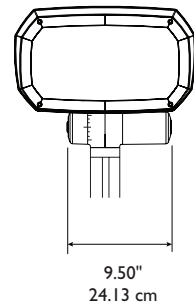
DFC7 with Cutoff Hood



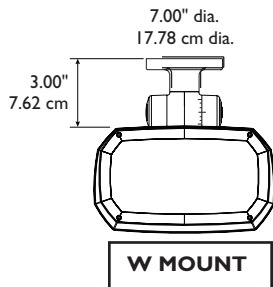
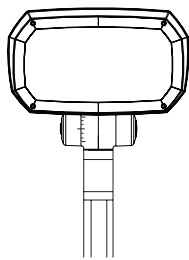
C MOUNT



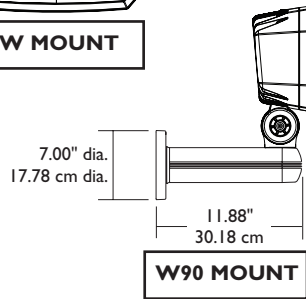
with EXTENDED J-BOX OPTION (ESB)



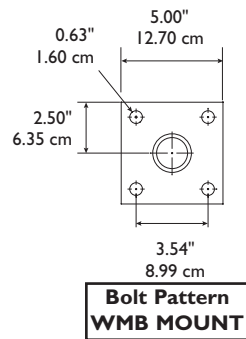
J MOUNT



W MOUNT

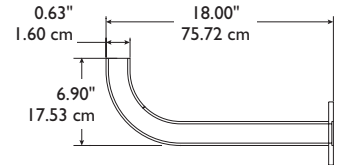


W90 MOUNT



Bolt Pattern WMB MOUNT

WMB MOUNT



Designer Floodlight LED 7" Pole Loading Data	EPA	
	DFL7	DFC7
Single Luminaire on PTA Adapter	1.5 ft ² /.14m ²	1.8 ft ² /.17m ²
Twin Luminaires on PTA Adapter	2.1ft ² /.20m ²	2.7ft ² /.25m ²
Twin Luminaires on TAB Adapter	3.2ft ² /.30m ²	3.9ft ² /.37m ²

Approximate Single Luminaire Weight	
DFL7	19 lbs 8.62 kg
DFC7	20.5 lbs 9.30 kg

1611 Clovis Barker Road, San Marcos, TX 78666

(800) 227-0758 (512) 753-1000 FAX: (512) 753-7855 sitelighting.com

© 2012 Koninklijke Philips Electronics N.V. All Rights Reserved.

Philips Gardco reserves the right to change materials or modify the design of its product without notification as part of the company's continuing product improvement program.

G200-018/0212

PHILIPS

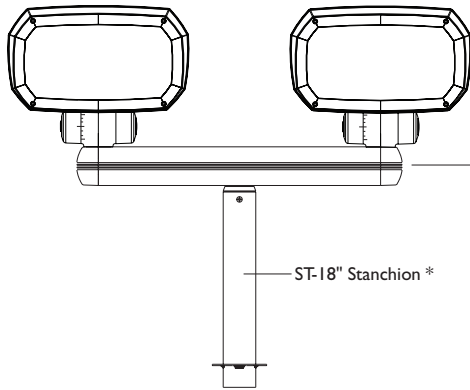




Designer Floodlight LED

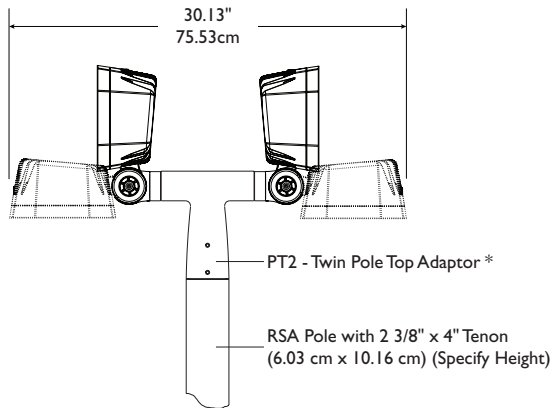
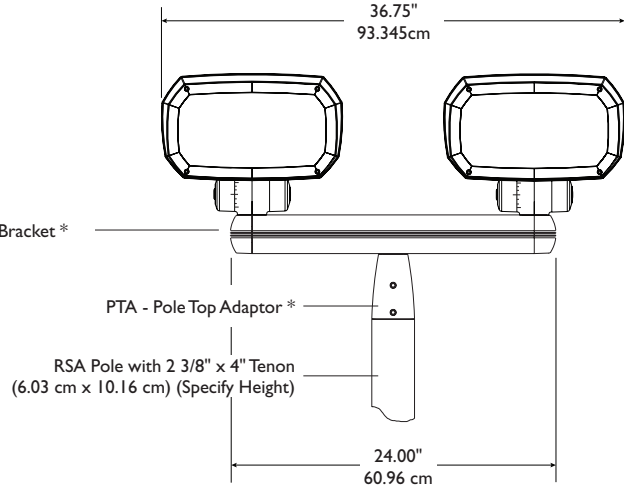
DIMENSIONS AND MOUNTING (CONTINUED FROM PAGE 3)

**STANCHION MOUNT
with Twin Arm Bracket**

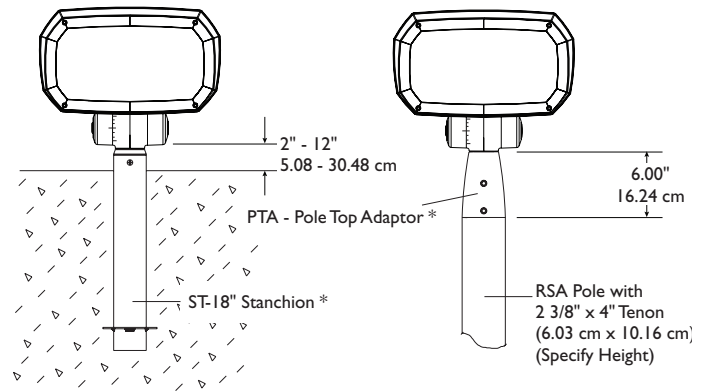


* Order mounting accessories separately.

**POLE TOP MOUNT
with Twin Arm Bracket**



**POLE TOP MOUNT
with Twin Pole Top Adaptor**



**STANCHION MOUNT
in Ground / Concrete**

**POLE TOP MOUNT
with Pole Top Adaptor**