

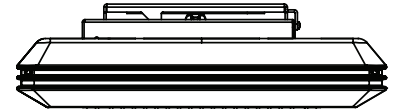
Job:
Type:
Notes:



SlenderForm

Page 1 of 3 High Output LED Ceiling / Canopy / Parking Garage Luminaire

The Philips Gardco SlenderForm high output LED ceiling / canopy / parking garage luminaire features a sleek, yet powerful, low profile design. The thin 3" profile combined with LED high output performance make SlenderForm the ideal choice for exterior ceiling mount and canopy applications. SlenderForm luminaires also provide LED solutions for parking garage applications requiring higher light levels, like garage entrances, garage areas with high ceilings, and garages where high overall light levels are required. Philips Gardco's LED technology combines with superior integral thermal control to provide maximized light output and maximum energy savings. Advanced Class I LED systems are featured.



PREFIX	OPTICAL SYSTEM	LED WATTAGE	LED SELECTION	VOLTAGE	FINISH	OPTIONS

Enter the order code into the appropriate box above. Note: Philips Gardco reserves the right to refuse a configuration. Not all combinations and configurations are valid. Refer to notes below for exclusions and limitations. For questions or concerns, please consult the factory.

PREFIX

- SFC** SlenderForm Ceiling Luminaire
- SFC-DIM¹** SlenderForm Ceiling Luminaire with 0-10V Dimming

1. Luminaire includes 0-10V input wires for dimming control by a dimming system supplied by others. Available in UNIV (120V through 277V) only.

OPTICAL SYSTEM

- 3** Type III
- 5W** Type V, Wide Distribution
- 5R** Type V, Rectangular Distribution
- CD** Concentrated Downlight

LED WATTAGE

Order Code	Description ²	Average System Watts	LED Current (mA)	LED Selection	Lumen Values by Wattage and Optic ³			
					Type 3	Type 5W	Type 5R	CD
90LA	90 watt, (I) LED integral lens array.	86.2	350	CW	7,933	7,247	7,264	8,521
				NW	7,370	6,787	6,760	7,916
140LA	140 watt, (I) LED integral lens array.	129.2	530	CW	11,225	10,207	10,255	12,003
				NW	10,494	9,525	9,571	11,241

LED SELECTION

- CW** 5,700°K, 75CRI
- NW** 4,000°K, 75CRI
- WW** 3,000°K, 75CRI

*2. System input wattage may vary based on input voltage, by up to +/- 10%, and based on manufacturer forward voltage, by up to +/- 8%.
3. Published lumen values are based on photometric tests performed in compliance with IESNA LM-79. WW tests are in process.
Contact Gardco.applications@philips.com if estimated values are needed for design purposes.*

VOLTAGE

- UNIV** 120V through 277V, 50hz to 60hz input.
- 347** 347V
- 480** 480V

FINISH

- NP** Natural Aluminum Paint

OPTIONS

- F⁴** Fusing
- DL⁵** Diffusing Integrated Lens
- PCB⁴** Button Photocontrol
- BX^{6,7}** Bird Excluding Shroud
- JB⁸** J-Box for Pendant Mounting

*4. 120V - 277V only. Specify actual input voltage.
5. DL integrated lens replaces clear integrated lens. DL lens reduces performance significantly. Not available with CD optic.
6. Shroud is for Pendant mount only. 12" (30.48cm) minimum pendant length required. Pendant by others.
7. BX option is installed in the field only.
8. For rigid and swivel pendant mount. Pendants by others.*

1611 Clovis Barker Road, San Marcos, TX 78666
(800) 227-0758 (512) 753-1000 FAX: (512) 753-7855 sitelighting.com

© 2012 Koninklijke Philips Electronics N.V. All Rights Reserved.

Philips Gardco reserves the right to change materials or modify the design of its product without notification as part of the company's continuing product improvement program.

G200-019/0212

PHILIPS





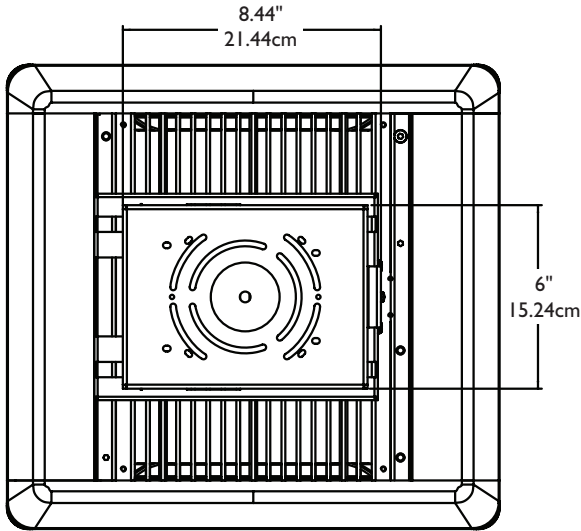
SlenderForm

Page 2 of 3 High Output LED Ceiling / Canopy / Parking Garage Luminaire

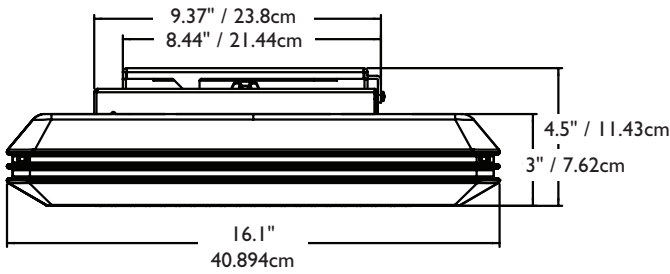
DIMENSIONS

Approximate Luminaire Weight
24 lbs 10.89 kg

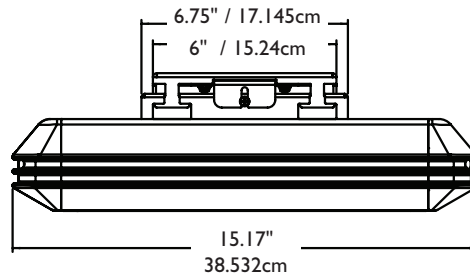
TOP VIEW



SIDE VIEW



END VIEW



1611 Clovis Barker Road, San Marcos, TX 78666

(800) 227-0758 (512) 753-1000 FAX: (512) 753-7855 sitelighting.com

© 2012 Koninklijke Philips Electronics N.V. All Rights Reserved.

Philips Gardco reserves the right to change materials or modify the design of its product without notification as part of the company's continuing product improvement program.

G200-019/0212

PHILIPS





SPECIFICATIONS

GENERAL: Each Philips Gardco SlenderForm luminaire is a ceiling surface or ceiling pendant mounted ceiling / canopy / garage luminaire featuring LEDs mounted in a fixed array. Internal components are totally enclosed in a rain-tight, dust-tight and corrosion resistant housing. Luminaires are suitable for wet locations.

HOUSING: The Philips Gardco SlenderForm housing consists of a rugged extruded aluminum housing body with an integral LED thermal management system, with die cast aluminum end caps.

IP RATING: SlenderForm luminaires are IP65 rated.

QUICK MOUNT PLATE AND MOUNTING: A die formed 14 ga. galvanized steel plate is supplied for mounting to a recessed, surface, or rigid pendant hung 4" (10.16 cm) j-box (standard j-box and rigid pendant by others). All pendants, including rigid pendants and swivel pendants are supplied by others.

Caution: Philips Gardco is not responsible for failure of mounting components supplied by others. Proper care should be exercised in mounting component selection to insure adequate luminaire support, given luminaire weight, vibration potential and thermal conditions present in the application. If luminaires are supported solely by screws into a composite j-box, additional support directly to structure is recommended. Failure to properly support the luminaire may cause damage or injury, for which Philips Gardco is not responsible.

OPTICAL SYSTEMS: The Type 3 optic is an LED array providing an IES Type III distribution. The Type 5 optic is an LED array providing an IES Type V, wide distribution. The Type 5R optic is an LED array providing an IES Type V distribution, in a rectangular pattern. The concentrated downlight (CD) optic is an LED array that provides a circular pattern of concentrated light directly below the luminaire. All LED lens arrays are replaceable.

LED PERFORMANCE:

PREDICTED LUMEN DEPRECIATION DATA ⁹		
Ambient Temperature °C	LED Wattage/ Driver mA	L ₇₀ Hours ¹⁰
25 °C	90LA / 350	150,000
	140LA / 530	125,000
40 °C	90LA / 350	100,000
	140LA / 530	70,000

⁹ Predicted performance derived from LED manufacturer's data and engineering design estimates, based on IESNA LM-80 methodology. Actual experience may vary due to field application conditions.

¹⁰ L₇₀ is the predicted time when LED performance depreciates to 70% of initial lumen output.

ELECTRICAL: Luminaires are equipped with an LED driver system that accepts 120V through 277V, 50hz to 60hz, (UNIV), or a driver that accepts 347V or 480V input. Component-to-component wiring within the luminaire will carry no more than 80% of rated current and is listed by UL for use at 600 VAC at 302°F/150°C or higher. Power factor is not less than 90%. Luminaires consume 0.0 watts in the off state.

LED THERMAL MANAGEMENT: The housing design provides aluminum integral extruded aluminum thermal radiation fins in the upper housing to provide the excellent thermal management so critical to long LED system life.

FINISH: Each luminaire receives a fade and abrasion resistant, electrostatically applied, thermally cured, triglycidal isocyanurate (TGIC) textured polyester powdercoat finish. Standard color is Natural Aluminum Paint.

LABELS: All luminaires bear either UL or CUL (where applicable) Wet Location labels.

WARRANTY: Philips Gardco luminaires feature a 5 year limited warranty. Philips Gardco LED luminaires with LED arrays feature a 5 year limited warranty covering the LED arrays. LED drivers are covered by a 5 year limited warranty. See Warranty Information on sitelighting.com for complete details and exclusions.