

Job:  
Type:  
Notes:



# Energy Saving Retrofit Kits

Page 1 of 3

## CosmoPolis™ and MasterColor® Elite Electronic Systems

Philips Gardco CosmoPolis™ and MasterColor® Elite retrofit kits provide the ideal ways to update existing Gardco Square Form 10, Round Form 10 and Gullwing™ luminaires, as well as Emco Ecolume and Decolume luminaires, to energy-efficient high performance ceramic metal halide electronic systems. Retrofit kits provide everything needed to achieve the changeout quickly and efficiently, resulting in high-quality white light and initial system efficacy up to 112 lumens per watt. Energy savings of up to 50% versus existing systems are attainable with rated average lamp life of up to 30,000 hours. All kits include the prewired ballast tray, an optical system and the correct lamp for the chosen system.

PREFIX	EXISTING LUMINAIRE	DISTRIBUTION	WATTAGE	VOLTAGE	OPTIONS

Enter the order code into the appropriate box above. Note: Gardco reserves the right to refuse a configuration. Not all combinations and configurations are valid. Refer to notes below for exclusions and limitations. For questions or concerns, please consult the factory.

### PREFIX

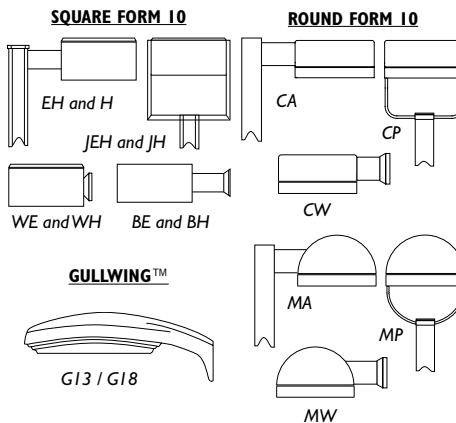
**RKCM** Retrofit Kit - CosmoPolis™ or MasterColor® Elite Electronic Systems

### EXISTING LUMINAIRE

#### PHILIPS



ORDER CODE	FOR USE WITH EXISTING PHILIPS GARDCO LUMINAIRE SHOWN			
	ARM MT	POST TOP	WALL MT	
<b>EH/H14</b>	EH14 H14	JEH14 JH14	BE14 BH14	WE14 WH14
<b>EH/H19</b>	EH19 H19	JEH19 JH19	BE19 BH19	WE19 WH19
<b>C/M17</b>	CA17 MA17	CP17 MP17	CW17 MW17	
<b>C/M22</b>	CA22 MA22	CP22 MP22	CW22 MW22	
<b>G13</b>	G13		G13	
<b>G18</b>	G18		G18	



### DISTRIBUTION

#### PHILIPS GARDCO LUMINAIRE

##### SQUARE FORM 10/ROUND FORM 10 LUMINAIRE

##### HORIZONTAL LAMP

- I** Type I
- 3** Type III
- FM** Type IV
- 4X<sup>1</sup>** Type IV
- Q** Type V

If existing optical system utilizes a vertical lamp position, retrofit is recommended with a horizontal lamp optic of the same distribution type.

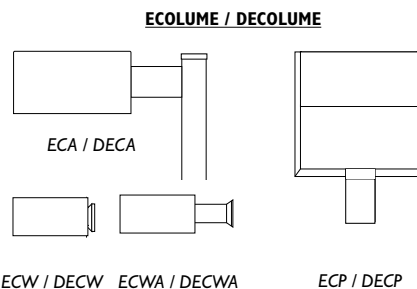
##### GULLWING™ LUMINAIRE

##### HORIZONTAL LAMP

- I<sup>2</sup>** Type I
- 2XL** Type II
- 3XL** Type III
- 4XL** Type IV
- Q<sup>2</sup>** Type V
- BLC<sup>2</sup>** Backlight Control



ORDER CODE	FOR USE WITH EXISTING EMCO LUMINAIRE SHOWN		
	ARM MT	POST TOP	WALL MT
<b>EC14</b>	ECA14 DECA14		ECW/WA14 DECW/WA14
<b>EC18</b>	ECA18 DECA18	ECP18 DECP18	ECW/WA18 DECW/WA18
<b>EC23</b>	ECA23 DECA23	ECP23 DECP23	ECW/WA23 DECW/WA23



#### EMCO LUMINAIRE

##### HORIZONTAL LAMP

- 2H** Type II
- 3H** Type III
- FH** Type IV
- QH** Type V
- BLC<sup>3</sup>** Backlight Control

If existing optical system utilizes a vertical lamp position, retrofit is recommended with a horizontal lamp optic of the same distribution type.

1. Available for 19" Square Form 10 or 22" Round Form 10 only.
2. Available for Gullwing™ G18 only.
3. Available for 18" Ecolume / Decolume luminaires only.

1611 Clovis Barker Road, San Marcos, TX 78666

(800) 227-0758 (512) 753-1000 FAX: (512) 753-7855 sitelighting.com

© 2010 Koninklijke Philips Electronics N.V. All Rights Reserved.

Philips Gardco reserves the right to change materials or modify the design of its product without notification as part of the company's continuing product improvement program.

G200-015/1110

**PHILIPS**





# Energy Saving Retrofit Kits

## CosmoPolis™ and MasterColor® Elite Electronic Systems



Wattages marked with circle "E" meet federal energy efficiency standards applicable to 150 watt through 500 watt metal halide luminaires only.

### WATTAGE

ENERGY SAVING SYSTEM	AVAILABLE WATTAGE BY PRODUCT	PHILIPS GARDCO LUMINAIRES				EMCO LUMINAIRES		
		EH/H 14" C 17" M 17"	EH/H 19" C 22" M 22"	G13"	G18"	EC14"	EC18"	EC23"
COSMOPOLIS™	60CMPE	•	•	•	•	•	•	
	90CMPE	•	•	•	•	•	•	
	140CMPE	•	•	•	•	•	•	
MASTERCOLOR® ELITE	210MCE-3K <sup>4</sup> (E)		•		See Note 5		•	•
	210MCE-4K <sup>4</sup> (E)		•		See Note 5		•	•
	315MCE-3K <sup>4</sup> (E)		•		See Note 5		•	•
	315MCE-4K <sup>4</sup> (E)		•		See Note 5		•	•

Systems marked with a dot "•" are available for ordering.

4. "-3K" indicates lamp is 3000°K color temperature, "-4K" indicates lamp is 4200°K color temperature.

5. New Gullwing™ G18 luminaires are available with MasterColor® Elite systems. Existing G18 luminaires may be retrofit with CosmoPolis™ systems, but are not suitable for retrofit with MasterColor® Elite systems, at this time.

### VOLTAGE

- 120<sup>6</sup>
  - 200-277
  - 347<sup>6</sup>
  - 480<sup>6</sup>
6. 120V, 347V and 480V input require and include an auxiliary transformer.

### OPTIONS

- L6<sup>7</sup> LumiStep™ 6 hour
- L8<sup>7</sup> LumiStep™ 8 hour
- L10<sup>7</sup> LumiStep™ 10 hour

7. See "LumiStep™ Ballast Options" on page 3 for description

### SPECIFICATIONS

**GENERAL:** Philips Gardco CosmoPolis™ and MasterColor® Elite retrofit kits provide the ideal ways to update existing Gardco Square Form 10, Round Form 10 and Gullwing™ luminaires, as well as Emco Ecolume and Decolume luminaires, to energy-efficient high performance ceramic metal halide electronic systems. Retrofit kits provide everything needed to achieve the changeout quickly and efficiently, resulting in high-quality white light and initial system efficacy up to 112 lumens per watt. Energy savings of up to 50% versus existing systems are attainable with rated average lamp life of up to 30,000 hours. All kits include the prewired ballast tray, an optical system and the correct lamp for the chosen system.

**BALLAST ASSEMBLY:** Retrofit kits include a complete prewired ballast assembly to replace the existing ballast assembly. Any auxiliary transformers required (for 120V, 347V or 480V input) are included and wired. Ballasts are capable of providing reliable lamp starting down to -20°F/-29°C. Component-to-component wiring within the luminaire will carry no more than 80% of rated current and is listed by UL for use at 600 VAC at 301°F/150°C or higher.

**REFLECTOR ASSEMBLY:** Retrofit kits include a complete reflector assembly, including the dedicated lamp socket appropriate to the chosen CosmoPolis™ or MasterColor® Elite system. The socket is placed so that the lamp arc tube center is optimally positioned to maximize performance for the selected distribution.

**LAMP:** Retrofit kits include the appropriate CosmoPolis™ or MasterColor® Elite lamp, based on the system selected. Refer to lamp data is in the table below.

**LABELS:** When the retrofit is completed using the appropriate components, Gardco and Emco luminaires retain UL or CUL (where applicable) Wet Location labels.

**WARRANTY:** Gardco Retrofit Kits feature a 5 year limited warranty on CosmoPolis™ ballasts, a 3 year limited warranty on MasterColor® Elite ballasts and a 2 year limited warranty on lamps for both systems.

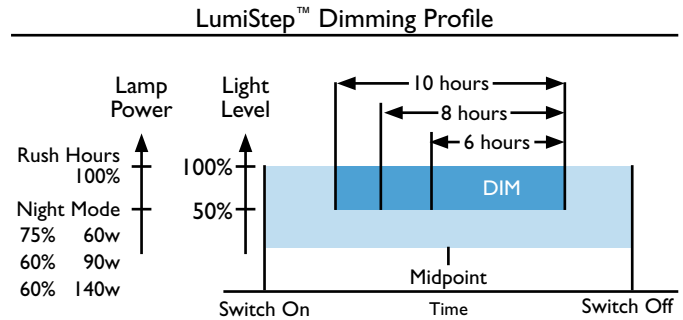




# Energy Saving Retrofit Kits

### LUMISTEP™ BALLAST OPTIONS

The CosmoPolis™ system offers a step dimming capability with three possible dimming times of 6, 8 or 10 hours with the LumiStep™ feature. The ballast will dim the 60W lamp to 75% of lamp power (70% light output) and the 90W and 140W lamps to 60% lamp power (50% light output.) The ballast calculates the mid-point of the evening, which is the starting point for 6 hour LumiStep™ and will dim the lamp for 6 hours before returning to full light output. The 8 and 10 hour LumiStep™ models will begin their dimming at 2 and 4 hours before the midpoint respectively. Specify the L6 option for LumiStep™ 6 hour, the L8 option for LumiStep™ 8 hour and the L10 option for LumiStep™ 10 hour. Available only with 60CMPE, 90CMPE or 140CMPE wattages.



### LAMP INFORMATION TABLE

ENERGY SAVING SYSTEM	WATTAGE CODE	WATTAGE		% BALLAST EFFICIENCY	LUMENS		INITIAL LPW		AVERAGE RATED LAMP LIFE (HOURS)	COLOR TEMP.	CRI
		LAMP	SYSTEM		INITIAL	MEAN	LAMP	SYSTEM			
COSMOPOLIS™	60CMPE	60	67	90	6,900	6,200	115	103	30,000 <sup>9</sup>	2,800°K	70
	90CMPE	90	99	90	10,450	8,800	116	105	30,000 <sup>9</sup>	2,800°K	70
	140CMPE	140	154	90	16,500	14,020	118	107	30,000 <sup>9</sup>	2,800°K	70
MASTERCOLOR® ELITE	210MCE-3K <sup>8</sup>	210	225	92	24,150	21,700	115	107	24,000 <sup>10</sup>	3,000°K	90
	210MCE-4K <sup>8</sup>	210	225	92	23,100	20,790	110	103	20,000 <sup>10</sup>	4,200°K	90
	315MCE-3K <sup>8</sup>	315	338	92	37,800	34,000	120	112	30,000 <sup>10</sup>	3,000°K	90
	315MCE-4K <sup>8</sup>	315	338	92	36,225	32,900	115	107	24,000 <sup>10</sup>	4,200°K	90

8. “-3K” indicates lamp is 3000°K color temperature, “-4K” indicates lamp is 4200°K color temperature.  
 9. Average rated lamp life shown is for CosmoPolis™ lamps burning in the horizontal position. Average rated lamp life is 20,000 hours for CosmoPolis™ lamps burned in the vertical position.  
 10. MasterColor® Elite average lamp life shown is valid for all lamp burning positions. MasterColor® Elite lamps are designed for 30,000 hours average rated lamp life. Data shown is based on tests performed to date.

### DETERMINING YOUR EXISTING DISTRIBUTION

Gardco luminaires feature a product identification label showing the catalog number of the luminaire, usually found on the HID socket. The catalog number indicates the distribution with the characters following the product prefix and configuration. For example: “G1813XL . . .” indicates a 3XL distribution, “EH-191FM . . .” indicates an FM distribution, and “CA-2213 . . .” indicates a Type 3 (III) distribution. The example to the right shows a “MP-1713” product identification label.

Emco luminaires feature a similar product identification label.

Contact Philips Gardco or your Philips Gardco representative for more information if required. If desired, the lighting distribution may be changed by utilizing a retrofit optic different than the existing optic, provided the new retrofit optic selected is available for the existing luminaire.

The label for GARDCO LIGHTING S.O. 41425 shows a date of 01/22/92 circled. The model is MP-1713, with a '3' circled. The lamp is 175W MH M57 CLEAR. The label also lists volts (120), amps (1.8), and Hz (60). It includes the instruction 'USE MINIMUM SUPPLY WIRE' and a temperature of 90 °C. A note on the right explains that the circled '3' indicates a Type 3 (III) distribution.

Product identification label usually found on the HID lamp socket.