

Job:  
Type:  
Notes:

# Motion Response HID

Page 1 of 3



## Dual Level HID Energy Saving System

The Gardco Motion Response HID System (GMR) is available for use with new Gardco and Emco pole mounted HID area lighting luminaires up to 400 watts, equipped with a dual capacitor and a constant wattage autotransformer (CWA) magnetic ballast, to provide dual level lighting based on motion detection. With the Motion Response HID system, luminaires are ignited and warm up to full brightness, staying on high mode for 15 minutes. If no motion is detected by the pole mounted motion sensor, the system goes to the low mode, reducing the energy consumption by up to 50%, with light output reduced by a greater amount. When motion is detected, the luminaire returns to full light output, for as long as there is activity. If no activity is detected, the luminaire returns to the low mode. The time delay before returning to low mode is easily field adjustable from 12 seconds up to 16 minutes. Luminaires must be ordered with the GMR option - provision for Motion Response. Luminaires are provided with dual level capacitors and additional wire lengths to connect each luminaire properly to the GMR system. Additionally, poles must be ordered with a 1/2" NPT coupling located 12 feet above the pole base, normally provided 180° opposite the standard handhole, for wiring and mounting the GMR system. All system components carry a UL wet location listing. The Gardco Motion Response HID System features a 5 year warranty. Motion Sensors and related components are covered by the 5 year warranty from the motion sensor manufacturer. See Warranty Information on [www.sitelighting.com](http://www.sitelighting.com) for complete details and exclusions.

### SYSTEM OVERVIEW

Motion Response HID System	Control Module(s) <sup>1</sup>	Connection Chambers	Motion Sensor <sup>1</sup>	Shroud
<b>GMR-1</b> (for Single Luminaire Assembly)	(1) Control Module	(1) Standard Voltage (1) Low Voltage	(1) Passive Infrared (PIR) 270° Motion Sensor	(1) Shroud
<b>GMR-2</b> (for Twin Luminaire Assembly)	(2) Control Modules	(1) Standard Voltage (1) Low Voltage	(1) Passive Infrared (PIR) 270° Motion Sensor	(1) Shroud

<sup>1</sup> Control Modules and Motion Sensors manufactured by WattStopper.  
Note: Consult factory for systems with more than 2 luminaires per pole.

■ CONTROLLED WITH  **WattStopper** | 

### LUMINAIRES

Available in 175 Watt through 400 Watt Pulse Start Metal Halide, and 150 watt through 400 watt High Pressure Sodium versions of the following luminaires. GMR requires a Constant Wattage Autotransformer (CWA) magnetic ballast. Luminaires not available with a CWA ballast cannot be provided with GMR. Luminaire types listed may not be available in all wattages. See individual luminaire submittal data sheets for wattage restrictions.

Gardco Pole Mounted Area Luminaires		Emco Pole Mounted Area Luminaires	
Form 10 Square 14" and 19"	Contura 17" and 21"	Ecolume 18"	Ecoround 25"
Form 10 Round 17" and 22"	Crown	Avalume	Avaround
Gullwing G18	Pyramid	Avalume Vertical	
Circa 25			

### ORDERING

- 1) Order luminaires with GMR option - Provision for Gardco Motion Response.
- 2) Order poles with 1/2" coupling, 12' above pole base, 180° to handhole. For Philips Gardco Poles - order with GMR option.
- 3) Order (1) GMR-1 Motion Response System for each single luminaire assembly and  
(1) GMR-2 Motion Response System for each twin luminaire assembly.

1611 Clovis Barker Road, San Marcos, TX 78666  
(800) 227-0758 (512) 753-1000 FAX: (512) 753-7855 [sitelighting.com](http://www.sitelighting.com)

© 2010 Koninklijke Philips Electronics N.V. All Rights Reserved.

Philips Gardco reserves the right to change materials or modify the design of its product without notification as part of the company's continuing product improvement program.

GE200-001/0810

**PHILIPS**

 **GARDCO**

### MOTION SENSOR AND RELATED COMPONENTS

#### OUTDOOR MOTION SENSOR

**Features:**

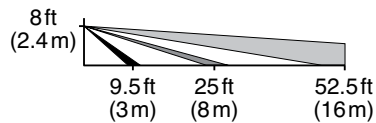
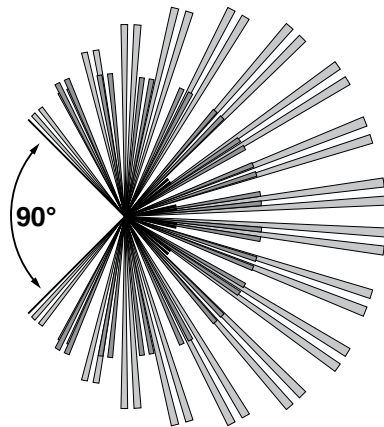
- Adjustable time delay settings
- 270° field of view
- Weatherproof and raintight
- Rated for use in temperature range of -40° to 130° F
- Provided in Arctic White color



#### CONTROL MODULE



#### 270° MOTION SENSOR COVERAGE

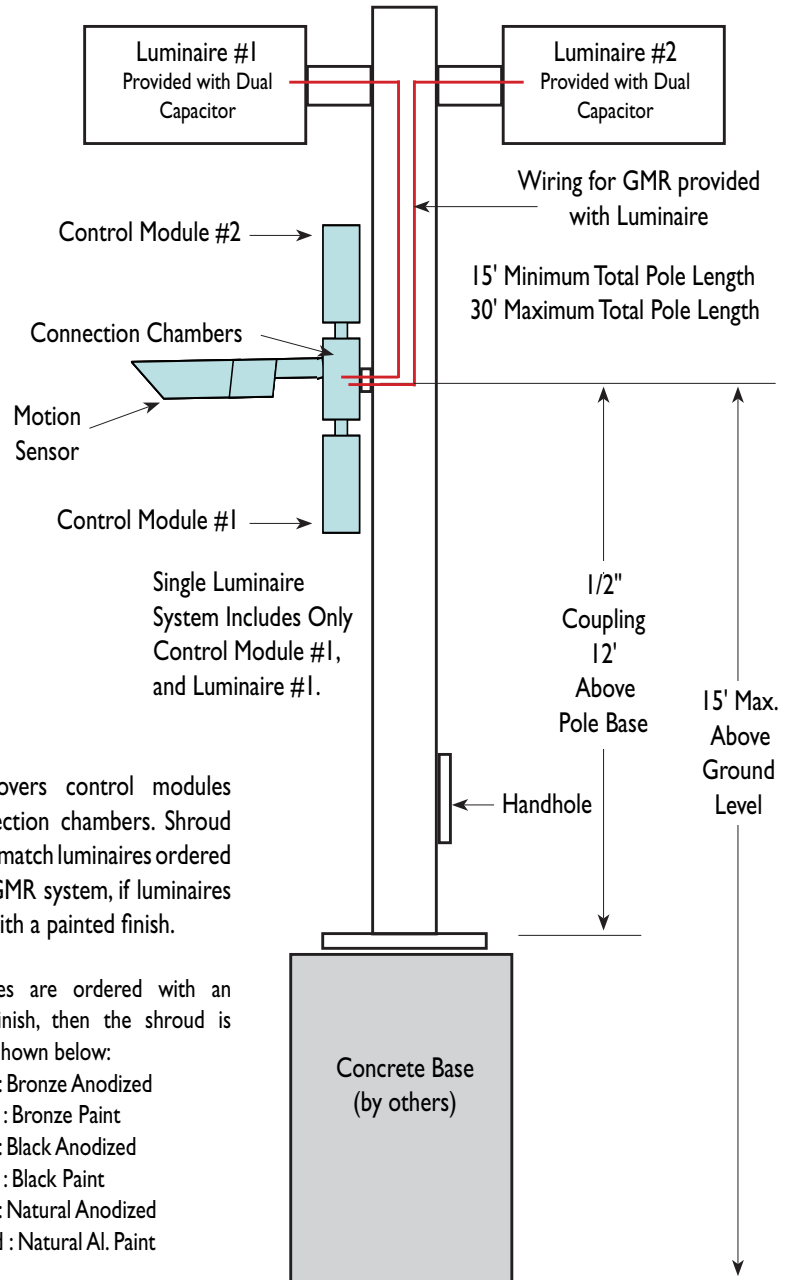


#### SYSTEM WITH SHROUD



### TYPICAL SYSTEM CONFIGURATION

#### Typical Twin Luminaire System



Shroud covers control modules and connection chambers. Shroud painted to match luminaires ordered with the GMR system, if luminaires ordered with a painted finish.

If luminaires are ordered with an anodized finish, then the shroud is painted as shown below:

- Luminaire: Bronze Anodized  
Shroud : Bronze Paint
- Luminaire: Black Anodized  
Shroud : Black Paint
- Luminaire: Natural Anodized  
Shroud : Natural Al. Paint