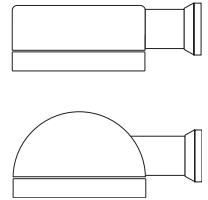


Job:
Type:
Notes:



Form 10 Round LED

The Philips Gardco wall mounted Round Form 10 LED products are cutoff luminaires featuring LED arrays. Round Form 10 LED luminaires provide performance excellence and advanced Philips Gardco LED thermal management technology. High performance Class 1 LED systems offer the potential for energy savings up to 50 % when compared to HID systems. Housings are one-piece seamless spun aluminum and finished with either Architectural Class 1 anodizing, with hardcoat, fade resistant, electrostatically applied TGIC polyester powdercoat or polyurethane. Luminaires provide full cutoff performance.



PREFIX	MOUNTING	DISTRIBUTION	LED WATTAGE	LED SELECTION	VOLTAGE	FINISH	OPTIONS
<input type="text"/>	<input type="text"/>	<input type="text"/>	<input type="text"/>	<input type="text"/>	<input type="text"/>	<input type="text"/>	<input type="text"/>

Enter the order code into the appropriate box above. Note: Philips Gardco reserves the right to refuse a configuration. Not all combinations and configurations are valid. Refer to notes below for exclusions and limitations. For questions or concerns, please consult the factory.

PREFIX

Available in 70LA and 85LA LED Wattages Only

- CW17L** 17" Cylindrical Luminaire LED - Constant Wattage
- CW17L-DIM** 17" Cylindrical Luminaire LED - 0-10V Dimming
- MW17L** 17" Semi-Spherical Luminaire LED - Constant Wattage
- MW17L-DIM** 17" Semi-Spherical Luminaire LED - 0-10V Dimming

Available in 110LA and 160LA LED Wattages Only

- CW22L** 22" Cylindrical Luminaire LED - Constant Wattage
- CW22L-DIM** 22" Cylindrical Luminaire LED - 0-10V Dimming
- MW22L** 22" Semi-Spherical Luminaire LED - Constant Wattage
- MW22L-DIM** 22" Semi-Spherical Luminaire LED - 0-10V Dimming

Retrofit Kits for existing Form 10 Round 17" and 22" HID luminaires are available. See Legacy LED Retrofit Kits Submittal Data Sheet (G200-21) for Retrofit Kit information.

MOUNTING

- 1 Single

DISTRIBUTION

- 2 Type II
- 3 Type III
- 4 Type IV
- 5 Type V

Type II, Type III and Type IV optics are field rotatable. Type V optics feature unitized lens.

LED WATTAGE AND LUMEN VALUES

Ordering Code	Average System Watts ¹	LED Current (mA)	LED Selection	Luminaire Initial Absolute Lumens ^{2,3}				Basis of Lumen Data : Photometric tests performed in compliance with IESNA LM-79, except where otherwise indicated. Notes: 1. Wattage may vary by +/- 8% due to LED manufacturer forward volt specification and ambient temperature. Wattage shown is average for 120V through 277V input. Actual wattage may vary by an additional +/- 10% due to actual input voltage. 2. Values shown are for luminaires without the HS external shield option. Tests are in process for luminaires with the HS option and WW luminaires. Contact Gardco.applications@philips.com if approximate estimates are required for design purposes. 3. LED arrays feature LEDs that provide from 100 to 130 lumens per watt when operated at 350 mA. Lumen values based on tests performed in compliance with IESNA LM-79. (s) Marked values are scaled from NW tests on the same luminaire.
				TYPE 2	TYPE 3	TYPE 4	TYPE 5	
70LA	70	350	CW	6,517	6,735	6,568	6,438	
			NW	5,938	6,124	5,989	5,874	
85LA	85	350	CW	7,860	8,114	8,342	8,245	
			NW	7,468	7,697	7,491	7,323	
110LA	110	350	CW	9,535(s)	9,908(s)	9,641(s)	9,526(s)	
			NW	8,911	9,260	9,010	8,903	
160LA	160	530	CW	13,170(s)	13,698(s)	13,244(s)	13,180(s)	
			NW	12,308	12,802	12,378	12,311	

LED SELECTION

- CW** Cool White - 5700°K - 75 CRI
- NW** Neutral White - 4000°K - 75 CRI
- WW** Wwall White - 3000°K - 75 CRI

VOLTAGE

- UNIV** 120V through 277V, 50hz or 60hz
- HVU** 347V through 480V, 50hz or 60hz (High Voltage Universal)

1611 Clovis Barker Road, San Marcos, TX 78666
(800) 227-0758 (512) 753-1000 FAX: (512) 753-7855 sitelighting.com

© 2012 Koninklijke Philips Electronics N.V. All Rights Reserved.

Philips Gardco reserves the right to change materials or modify the design of its product without notification as part of the company's continuing product improvement program.

G200-026/0212

PHILIPS





Form 10 Round LED

FINISH

- BRP** Bronze Paint
- BLP** Black Paint
- WP** White Paint
- NP** Natural Aluminum Paint
- BRA** Bronze Anodized
- BLA** Black Anodized
- NA** Natural Anodized
- OC** Optional Color Paint
Specify Optional Color or RAL ex: OC-LGP or OC-RAL7024.
- SC** Special Paint
Specify. Must supply color chip.

OPTIONS

- F⁴** Fusing
- PC^{5,6}** Photocontrol and Receptacle
- PCR⁵** Photocontrol Receptacle only
- SPR** Surge Protection for 120V through 277V Input
- SPRH** Surge Protection for 347V through 480V Input
- SPRA** Surge Protection for 120V through 277V Input meeting ANSI C62.41.2
- SPRAH** Surge Protection for 347V through 480V Input meeting ANSI C62.41.2

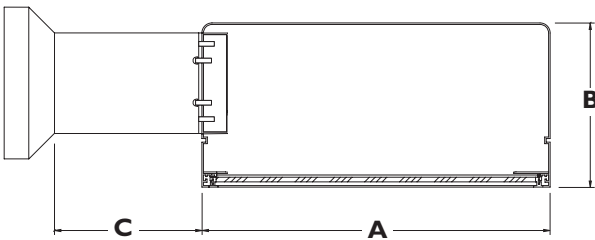
4. In Head.

5. Available in CA Style only. Not available in MA Style.

6. Not available in 480V. Provide Specific input voltage.

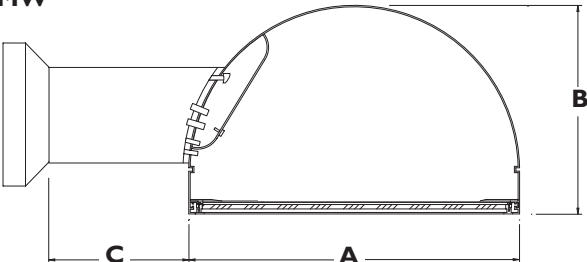
DIMENSIONS AND EPA

CW

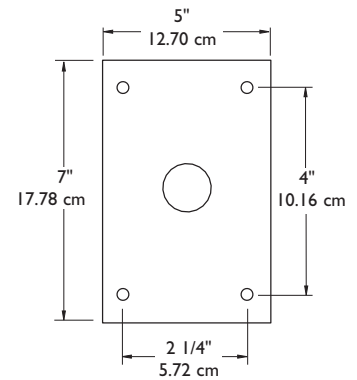


CW Style				Weight Single
Size	A	B	C	
17"	17"	8"	7.5"	28 lbs 12.70 kg
22"	22"	11"	7.5"	44 lbs 19.96 kg

MW



MW Style				Weight Single
Size	A	B	C	
17"	17"	11"	7.5"	29 lbs 13.15 kg
22"	22"	14"	7.5"	45 lbs 20.41 kg



Wall Mounting Dimensions

1611 Clovis Barker Road, San Marcos, TX 78666
(800) 227-0758 (512) 753-1000 FAX: (512) 753-7855 sitelighting.com

© 2012 Koninklijke Philips Electronics N.V. All Rights Reserved.

Philips Gardco reserves the right to change materials or modify the design of its product without notification as part of the company's continuing product improvement program.

G200-026/0212

PHILIPS





Form 10 Round LED

SPECIFICATIONS

GENERAL: The Philips Gardco wall mounted Round Form 10 LED products are cutoff luminaires featuring LED arrays. Round Form 10 LED luminaires provide performance excellence and advanced Philips Gardco LED thermal management technology. High performance Class 1 LED systems offer the potential for energy savings up to 50 % when compared to HID systems. Housings are one-piece seamless spun aluminum and finished with either Architectural Class 1 anodizing, with hardcoat, fade resistant, electrostatically applied TGIC polyester powdercoat or polyurethane. Luminaires provide full cutoff performance.

HOUSING: Housing is one piece, .100" (.25cm) seamless aluminum with integral rolled circumferential reveal and lower section aperture incorporating a returned flange stiffener to protect against housing edge deformation.

ARM: Extruded aluminum arm is secured to prewired fixture by contractor. Assembly is suitable for mounting without requiring access to luminaire. Internal extruded channels capture tie rods for proper alignment.

LENS: One piece, diecast aluminum door frame retains the optically clear, heat and impact resistant tempered flat glass, in a sealed manner using hollow section, high compliance, memory retentive extruded silicone rubber. Concealed stainless steel hinge and two (2) fasteners secure lens assembly to luminaire.

THERMAL MANAGEMENT: The Philips Gardco Form 10 Round LED luminaires utilize extruded aluminum integral thermal radiation fins to provide the excellent thermal management so critical to long LED system life.

LED RELIABILITY:

PREDICTED LUMEN DEPRECIATION DATA		
Ambient Temperature °C	Driver mA	L ₇₀ Hours ⁷
25 °C	350 mA	150,000
	530 mA	100,000
40 °C	350 mA	100,000
	530 mA	70,000

7. Predicted performance derived from LED manufacturer's data and engineering design estimates, based on IESNA LM-80 methodology. Actual experience may vary due to field application conditions. L₇₀ is the predicted time when LED performance depreciates to 70% of initial lumen output.

OPTICAL SYSTEMS: Philips Gardco Form 10 Round LED luminaires utilize lensed LED arrays set to achieve IES Type II, Type III, Type IV and Type V distributions. Individual LED arrays are replaceable. Optical systems are field rotatable. Luminaires feature high performance Class I LED systems.

ELECTRICAL: Luminaires include a complete prewired LED driver assembly, provided as part of the optical assembly. Luminaires include an LED driver that accepts 120V through 277V, or 347V through 480V, 50hz to 60hz, input. Driver output is based on the LED wattage selected. Component-to-component wiring within the luminaire will carry no more than 80% of rated current and is listed by UL for use at 600 VAC at 302°F / 150°C or higher. Plug disconnects are listed by UL for use at 600 VAC, 15A or higher. Power factor is not less than 90%. Luminaires consume 0.0 watts in the off state.

FINISH: Anodized housings are created with an Aluminum Association Architectural Class I anodizing process to achieve a bronze, black or natural aluminum finish. Painted units are finished with hardcoat, fade resistant, electrostatically applied TGIC polyester powdercoat or polyurethane.

LABELS: All luminaires bear UL or CUL (where applicable) Wet Location labels.

WARRANTY: Philips Gardco Form 10 Round LED luminaires feature a 5 year limited warranty, including a 5 year limited warranty covering the LED arrays and LED drivers. See Warranty Information on www.sitelighting.com for complete details and exclusions.

FULL CUTOFF PERFORMANCE: Full cutoff performance means a luminaire distribution where zero candela intensity occurs at an angle at or above 90° above nadir. Additionally, the candela per 1000 lamp lumens does not numerically exceed 100 (10 percent) at a vertical angle of 80° above nadir. This applies to all lateral angles around the luminaire.

CUTOFF PERFORMANCE: Cutoff performance means a luminaire distribution where the candela per 1000 lamp lumens does not numerically exceed 25 (2.5 percent) at an angle at or above 90° above nadir, and 100 (10 percent) at a vertical angle of 80° above nadir. This applies to all lateral angles around the luminaire.