

Job:  
 Type:  
 Notes:

# Organics

## 660 Series

Philips Gardco Organics are wall mounted luminaires utilizing compact fluorescent, high intensity discharge and LED sources. Organics are graceful large scale architectural accents in both the daytime and at night. LED luminaires can be static white, or provided with Color Kinetics LED color changing technology for architectural effect and impact, including static LED colors other than white. Organics are suitable for outdoor applications and feature rugged housings, silicone seals and gaskets, and polyester powdercoat finishes.



PREFIX	LENS	WATTAGE or LED SELECTION	VOLTAGE	DISTRIBUTION	PLATES	FINISH	OPTIONS
<input type="text"/>	<input type="text"/>	<input type="text"/>	<input type="text"/>	<input type="text"/>	<input type="text"/>	<input type="text"/>	<input type="text"/>

Enter the order code into the appropriate box above. Note: Philips Gardco reserves the right to refuse a configuration. Not all combinations and configurations are valid. Refer to notes below for exclusions and limitations. For questions or concerns, please consult the factory.

PREFIX	LENS	WATTAGE OR LED SELECTION	VOLTAGE
--------	------	--------------------------	---------

Fluorescent or HID	Fluorescent or HID	Fluorescent or HID - Wattage	Fluorescent or HID
<b>660</b>	<b>DG</b> Diffuse Glass <b>ACW</b> Acrylic White <sup>1</sup> <b>ACR</b> Acrylic Red <sup>1</sup> <b>ACB</b> Acrylic Blue <sup>1</sup> <b>ACY</b> Acrylic Yellow <sup>1</sup> <b>ACG</b> Acrylic Green <sup>1</sup> 1. Available with fluorescent only.	<u>Ceramic MH</u> (Electronic Ballast) <b>T70CMHE</b> (2) <b>T150CMHE</b> <sup>2</sup> <sup>ⓔ</sup> <b>(2)T70CMHE</b> 2. Available with OR1, OR2, OR3, OR4 only. 3. Available with OR5, OR6, OR7 only.	<u>Fluorescent</u> (Electronic Ballast) <b>UNIV</b> 120V through 277V, 50hz to 60 hz. <b>347</b> Fluorescent only.

**ⓔ** Wattages marked with Circle "E" meet federal energy efficiency standards applicable to 150 watt through 500 watt metal halide luminaires only.

LED	LED	LED - LED Selection	LED
-----	-----	---------------------	-----

<b>661</b>	Omit with LED - Lenses determined by Distribution selected below.	<u>LED Static</u> <sup>4</sup> <u>LED Color Changing</u> <b>LEW</b> <sup>5</sup> White <b>LCC</b> 4. For static LED colors other than white, order LCC and SYN Synchronizer option. 5. Available in 22UD distribution only.	Consult Factory for specific control requirements, control options, and special wiring requirements prior to ordering LED Luminaires.
------------	---	--	---

DISTRIBUTION	PLATES
--------------	--------

Fluorescent or HID

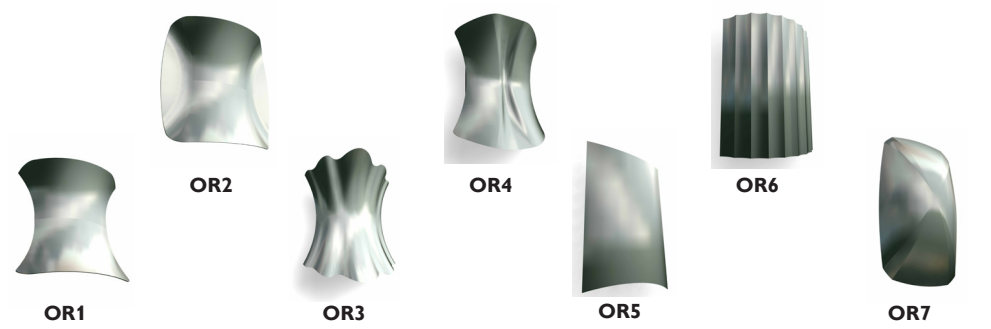
**360** 360°  
**NUD** Narrow Beam Up and Down (HID Only, Not Available on OR7)

LED

**10UD**<sup>6</sup> 10° Beam Angle - Up and Down  
**22UD** 22° Beam Angle - Up and Down

Note: SEL option required for left and right side light distribution with LED luminaires. See SEL option below. LED luminaires without the SEL option provide only uplight and downlight.

6. Not available with LED Static White (LEW).



### FINISH

<b>CCS</b> Clear Coat Satin <i>Faceplate supplied in brushed aluminum with this finish.</i>	<b>DSP</b> Dark Sandstone Paint
<b>BRP</b> Bronze Paint	<b>LGP</b> Light Granite Paint
<b>BLP</b> Black Paint	<b>DGP</b> Dark Granite Paint
<b>WP</b> White Paint	<b>RBP</b> Red Brick Paint
<b>NP</b> Natural Aluminum Paint	<b>OC</b> Optional Color <i>Specify RAL designation. Ex: OC-RAL7024.</i>
<b>BGP</b> Beige Paint	<b>SC</b> Special Color <i>Specify. Must supply color chip.</i>
<b>LSP</b> Light Sandstone Paint	

### OPTIONS

#### Fluorescent or HID

**F** Fusing *Specify input voltage.*

#### LED

**SYN** Synchronizer  
*Available with LCC LED Selection Only. Provides static LED colors other than white.*

**SEL** Side Emitting Light

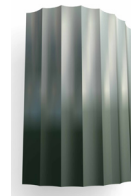
*Note: SEL option required for left and right side light distribution with LED luminaires. LED luminaires without the SEL option provide only uplight and downlight.*

### DIMENSIONS

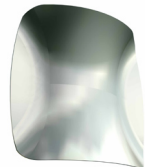
OR1	
Plate Height	29.61" 75.209m
Plate Max Width	26.06" 66.185cm
Plate Min Width	18.75" 47.615cm



OR6	
Plate Height	35.50" 90.170cm
Plate Width	22.73" 72.285cm



OR2	
Plate Height	29.64" 75.286cm
Plate Width	28.07" 72.285cm



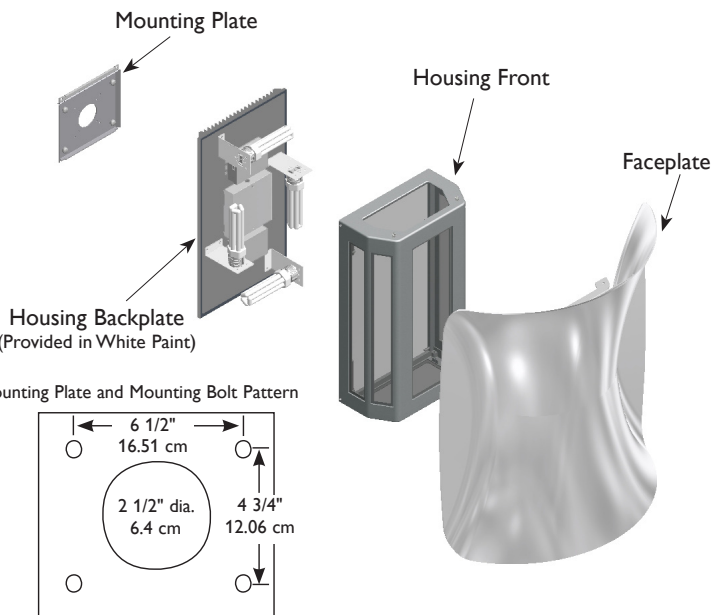
OR7	
Plate Height	35.49" 90.145cm
Plate Max Width	20.27" 51.496cm
Plate Min Width	18.09" 45.956cm



OR3	
Plate Height	29.46" 74.828cm
Plate Max Width	19.68" 49.985cm
Plate Min Width	16.00" 40.643cm



#### Expanded View - Fluorescent or HID Luminaire



Mounting Plate centered along height and width of Organic faceplate.

1611 Clovis Barker Road, San Marcos, TX 78666  
(800) 227-0758 (512) 753-1000 FAX: (512) 753-7855 [sitelighting.com](http://sitelighting.com)

© 2011 Koninklijke Philips Electronics N.V. All Rights Reserved.

Philips Gardco reserves the right to change materials or modify the design of its product without notification as part of the company's continuing product improvement program.

G200-004/0711

**PHILIPS**

**GARDCO**

**SPECIFICATIONS**

**MOUNTING:** Wall mount only, outdoor and indoor.

**FACEPLATES:** Faceplates are one-piece formed aluminum. Faceplate assemblies are secured to housing with tamper-resistant hex socket-head screws. Standoffs are machined stainless steel.

**HOUSING and MOUNTING PLATE:** The housing consists of a backplate, and a front. The housing backplate is extruded aluminum with integral heat radiating fins, and is finished in white paint. The housing front is extruded aluminum with die cast aluminum end caps. The entire structure mounts over a recessed j-box, supplied by others, using the mounting plate. Recessed j-box required (by others). Mounting plate mounts over the recessed j-box and must be attached to structure.

**LENS:** Diffuse glass lenses are provided with HID luminaires. Fluorescent luminaires are available with diffuse glass lenses or acrylic lenses. White and colored acrylic lenses are nominal 1/8"(.32cm) acrylic. Silicone gaskets secure the seal between the lenses and the housing front, and between the housing back plate and the housing front.

**ELECTRICAL:** HID units include high power factor electronic ballasts. Suitable for -20°F/-29°C starting temperature. Fluorescent models feature an electronic solid state ballast as standard. LED luminaires include drivers that accept 120V through 240V input.

**FINISH:** Standard finish is fade and abrasion resistant, electrostatically applied, thermally cured TGIC textured polyester powdercoat paint. Luminaires ordered with the CCS- Clear Coat Satin finish are supplied with a brushed aluminum faceplate.

**LABELS:** All luminaires bear either UL or CUL (where applicable) Wet Location labels.

**WARRANTY:** Philips Gardco luminaires feature a 5 year limited warranty. Philips Gardco LED luminaires with LED arrays or modules feature a 5 year limited warranty covering the LED arrays and modules. See Warranty Information on [www.sitelighting.com](http://www.sitelighting.com) for complete details and exclusions.

*Consult Factory for specific control requirements,  
control options, and special wiring requirements prior  
to ordering LED Luminaires.*