



# QuickShip Product Guide

March 2012

**PHILIPS**



# Table of Contents

---

## **Area Lighting Products**

- Avalume 3
- Ecolume EC18 4
- HPV High Performance Vertical 5

## **Poles**

- Straight Square Steel 6
- Anchor Bolts for Poles and Bollards (Available for pre-shipment) 7

## **Parking Garage Luminaires**

- GP1 8

## **"Pre-Ship" Accessories**

- 94 LINE Steplight Back Housings 9
- Fascia Plate Back Housings 9
- Designer Canopy Concrete Pour Back Housings 9

# Emco Avalume: 3 Day QuickShip

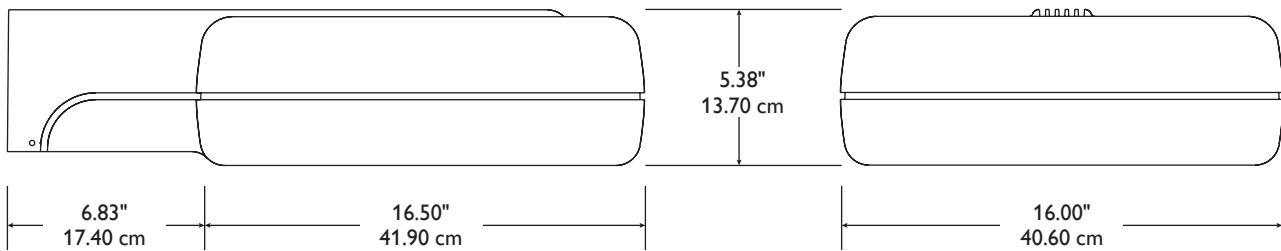
## Shipment

- Within 3 business days of order receipt based on available stock
- From Dallas, TX
- Lamps in stock
- Options are all field installed

## ORDERING

PREFIX	CONFIGURATION	DISTRIBUTION	WATTAGE	VOLTAGE	FINISH	OPTIONS
AVA	1	3/F	400PSMH	QUAD	BRP	HS
<b>AVA</b>	<b>1</b> Pole Mount <b>W</b> Wall Mount	<b>3/F</b> Luminaire ships as Type F. Removal of an insert converts luminaire to Type 3	<b>400HPS</b> <b>250PS90</b> <b>400PSMH</b>	<b>QUAD</b> 120/208/240/277 Tied to 277V PSMH only <b>5-Tap</b> 120/208/240/277/480 Tied to 277V HPS only	<b>BRP</b> Bronze Paint	<b>HS</b> External House Side Shield <b>PC</b> Locking Type Photocontrol Receptacle w/Photocontrol <b>PCR</b> Locking Type Photocontrol Receptacle <b>PTF2</b> Pole Top Fitter 2 3/8" X 4" <b>MF</b> Mast Arm Fitter

## DIMENSIONS



Effective Projected Area (EPA)			
	Single	Twin	3/4
AVA	1.1 ft <sup>2</sup>	2.2 ft <sup>2</sup>	2.7 ft <sup>2</sup>
	0.10 m <sup>2</sup>	0.20 m <sup>2</sup>	0.25 m <sup>2</sup>
AVA w/HS Option	1.2 ft <sup>2</sup>	2.2 ft <sup>2</sup>	3.2 ft <sup>2</sup>
	0.11 m <sup>2</sup>	0.20 m <sup>2</sup>	0.30 m <sup>2</sup>

Note: Lead time to shipment may be extended for large quantity orders, or if stock is not available. Also, lead times and pricing are based strictly on the exact product configurations shown only. Any variance from the exact configurations shown will be treated as a normal made-to-order product, and will be subject to normal made-to-order lead times and pricing.

# Emco Ecolume: 3 Day QuickShip

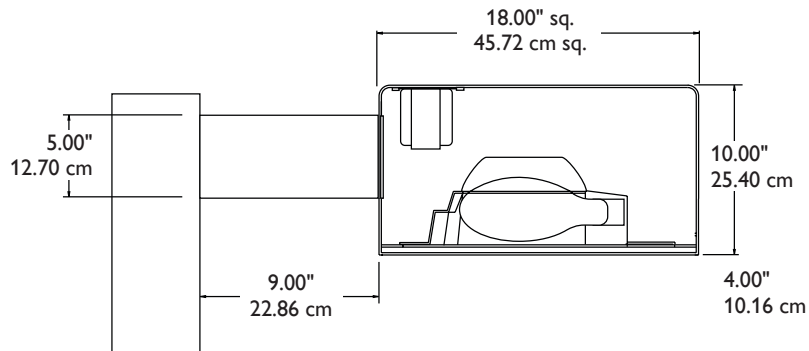
## Shipment

- Within 3 business days of order receipt based on available stock
- Lamps in stock

## ORDERING

PREFIX	CONFIGURATION	DISTRIBUTION	WATTAGE	VOLTAGE	FINISH	OPTIONS
ECA18	1	3H	400PSMH	QUAD	BRP	PTF2
<b>ECA18</b>	<b>1</b>	<b>3H</b>	<b>400PSMH</b>	<b>QUAD</b>	<b>BRP</b> Bronze Paint	<b>PTF2</b> Pole Top Fitter 2 3/8" X 4"
	2	Type III	400HPS	120/208/240/277		
	3	FH		Tied to 277V		
	4	Forward Throw				

## DIMENSIONS



Effective Projected Area (EPA)			
	Single	Twin	3/4
ECA18	1.9 ft <sup>2</sup>	3.8 ft <sup>2</sup>	4.8 ft <sup>2</sup>
	0.177 m <sup>2</sup>	0.354 m <sup>2</sup>	0.446 m <sup>2</sup>

Note: Lead time to shipment may be extended for large quantity orders, or if stock is not available. Also, lead times and pricing are based strictly on the exact product configurations shown only. Any variance from the exact configurations shown will be treated as a normal made-to-order product, and will be subject to normal made-to-order lead times and pricing.

# HPV High Performance Vertical: 3 Day QuickShip

## Shipment

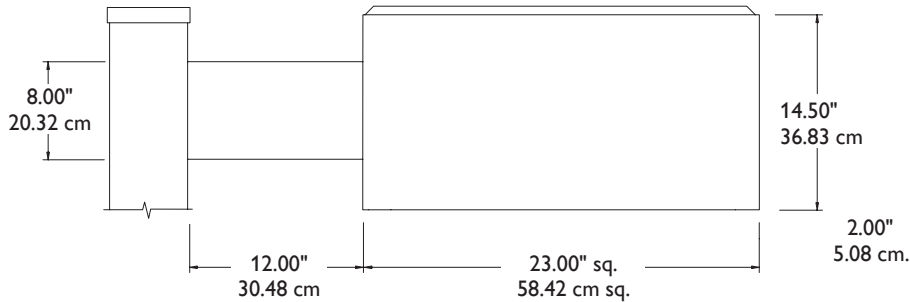
- Within 3 business days of order receipt based on available stock
- From Dallas, TX
- Lamps in stock
- Ballast Tray ships separately

## ORDERING

PREFIX	CONFIGURATION	DISTRIBUTION	WATTAGE	VOLTAGE	FINISH	OPTIONS
HPV23	1	5XVF	1000PSMH	480	BRP	EHSS
<b>HPV23</b>	<b>1</b>	<b>3/4XVF</b> <i>Type III, IV</i>	<b>1000PSMH</b> <b>1000MH</b>	<b>120</b> <b>208</b> <b>240</b> <b>277</b> <b>347</b> <b>480</b>	<b>BRP</b> <i>Bronze Paint</i>	<b>EHSS</b> <i>External House Side Shield Aperture Style</i>

Note: HPV luminaires may ship from stock in four (4) separate modules: Housing and Optic, Ballast w/Tray, Arm Kit, and Lens

## DIMENSIONS



Effective Projected Area (EPA)			
	Single	Twin	3/4
Sag Lens	3.9 ft <sup>2</sup>	7.8 ft <sup>2</sup>	9.5 ft <sup>2</sup>
	0.36 m <sup>2</sup>	0.72 m <sup>2</sup>	0.88 m <sup>2</sup>
Flat Lens	3.6 ft <sup>2</sup>	7.3 ft <sup>2</sup>	8.8 ft <sup>2</sup>
	0.33 m <sup>2</sup>	0.68 m <sup>2</sup>	0.82 m <sup>2</sup>
Flat Lens with EHSS	4.9 ft <sup>2</sup>	9.9 ft <sup>2</sup>	12.5 ft <sup>2</sup>
	0.46 m <sup>2</sup>	0.92 m <sup>2</sup>	1.16 m <sup>2</sup>

Note: Lead time to shipment may be extended for large quantity orders, or if stock is not available. Also, lead times and pricing are based strictly on the exact product configurations shown only. Any variance from the exact configurations shown will be treated as a normal made-to-order product, and will be subject to normal made-to-order lead times and pricing.

# Poles: 3 Day QuickShip

## Shipment: 4" SSS Poles

- Within 3 business days of order receipt
- From nearest location with available stock

Model:	SSS Straight Square Steel
Size:	4"
Gauge:	11 ga.
Height:	20', 25'
Drilling:	Poles are drilled for 14" and 18" Ecolume and Avalume. All poles are D 3/4 - Drilled for 4-way @ 90° with 3 sides plugged. Use for single, 2@90°, 3@90° or 4@90° mounting.
Anchorage:	(4) 3/4" x 17" x 3"
Base Cover:	All poles include a non-metallic, 2 piece base cover as well as a hand hole cover and top cap.

## ORDERING

PREFIX	HEIGHT	SIZE	GAUGE	DRILLING	FINISH
SSS	20	4	11	D 3/4	BRP
<b>SSS</b>	<b>20</b> <b>25</b>	<b>4</b>	<b>11</b>	<b>D 3/4</b>	<b>BRP</b> <i>Bronze Paint</i>

## POLE AND LUMINAIRE EPA DATA

Pole			Luminaire	Wind Loading	Max. Luminaires on Pole
<b>SSS-20'-4-11</b>			Avalume	80/90/100 MPH	4@90°
Maximum Pole EPA					
<u>100MPH</u> 4.5	<u>90MPH</u> 6.7	<u>80MPH</u> 9.6	Ecolume 18"	100 MPH	2@180°
				80/90 MPH	4@90°
<b>SSS-25'-4-11</b>			Avalume	90 MPH	2@180°
Maximum Pole EPA				80 MPH	4@90°
<u>90MPH</u> 2.6	<u>80MPH</u> 4.8		Ecolume 18"	90 MPH	Single
				80 MPH	4@90°

100 MPH data is omitted when maximum pole EPA is less than the actual EPA of a single luminaire. **WARNING:** The design information is intended as a general guideline only. The customer is solely responsible for proper selection of pole, luminaire, accessory and foundation under the given site conditions and intended usage. The addition of any items to the pole, in addition to the luminaire, will dramatically impact the EPA load of the pole. It is strongly recommended that a qualified professional be consulted to analyze the loads given the user's specific needs to ensure proper selection of the pole, luminaire, accessories and foundation. Philips Gardco assumes no responsibility for such proper analysis or product selections. Failure to ensure proper site analysis, pole selection, loads and installation can result in pole failure, leading to serious injury or property damage.

Note: Lead time to shipment may be extended for large quantity orders, or if stock is not available. Also, lead times and pricing are based strictly on the exact product configurations shown only. Any variance from the exact configurations shown will be treated as a normal made-to-order product, and will be subject to normal made-to-order lead times and pricing.

# Anchor Bolts: 3 Day QuickShip

---

## Shipment

- Within 3 business days of order receipt
- From nearest location with available stock

**1/2" x 18" x 2"**

**5/8" X 18" X 3"**

**3/4" X 17" X 3"**

**1" X 36" X 4"**

Anchor Bolts are shipped in sets of four (4) with double nuts, washers and template.

# Bollard Anchor Bolts: 3 Day QuickShip

---

## Shipment

- Within 3 business days of order receipt
- From San Marcos, TX

**3/8" x 9" x 1.5"**

Anchor Bolts are shipped in sets of four (4) with double nuts, washers and template.

*Note: Lead time to shipment may be extended for large quantity orders, or if stock is not available. Also, lead times and pricing are based strictly on the exact product configurations shown only. Any variance from the exact configurations shown will be treated as a normal made-to-order product, and will be subject to normal made-to-order lead times and pricing.*

# GP1 Garage Luminaires: 3 Day QuickShip

## Shipment

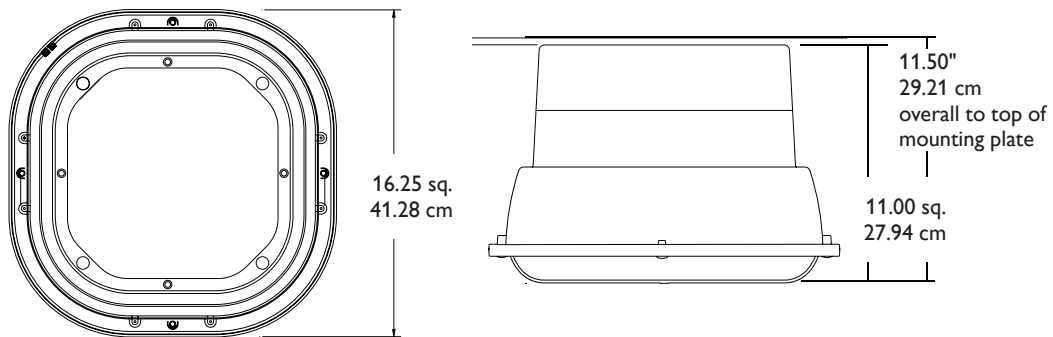
- Within 3 business days of order receipt
- From Dallas, TX
- Unusually large quantities may affect lead time. Consult factory.
- Lamps available. Shipped separately. Not available installed in luminaire.
- Finish is Standard Industrial Gray.

## ORDERING

PREFIX	WATTAGE	VOLTAGE	OPTIONS
GP1T	150MH	277	F
<b>GP1T</b>	<b>150MH</b> <b>175PSMH</b> <b>150HPS</b>	<b>277</b>	<b>F</b> Fusing <b>QS</b> Quartz Restrike <b>POLY</b> Polycarbonate Lens <b>TP</b> Spanner Head Screws <b>DR</b> Downlight Reflector <b>BX</b> Bird Excluding Shroud <b>JB</b> Balanced J-Box <b>TM</b> Trunion Mount

All units are supplied standard with Universal Mounting Plate.  
 All units supplied with Fusing option included and installed.  
 All units feature Quad -Tap ballasts and are tied to 277V.

## DIMENSIONS



Note: Lead time to shipment may be extended for large quantity orders, or if stock is not available. Also, lead times and pricing are based strictly on the exact product configurations shown only. Any variance from the exact configurations shown will be treated as a normal made-to-order product, and will be subject to normal made-to-order lead times and pricing.

# "Pre-ship" Accessories: Back Housings

Back Housings for:	Type:	Ships within:	Ships from:
<u>Steplights</u> 940 941	Universal	3 Business Days of Order Receipt	San Marcos, TX
<u>Steplights</u> 940 941 942 943 944 945 946	Concrete Pour	3 Business Days of Order Receipt	San Marcos, TX
<u>Steplights</u> 940 941 942 943 944 945 946	Drywall	10 Business Days of Order Receipt	San Marcos, TX
<u>Fascia Plates</u> 600C Series	Recessed Concrete Pour	3 Business Days of Order Receipt	San Marcos, TX
<u>Designer Canopy</u> 200C Series 221C Series	Concrete Pour	3 Business Days of Order Receipt	San Marcos, TX

**Include entire catalog number on factory order with instructions to "pre-ship" back housings**

*Note: Lead time to shipment may be extended for large quantity orders, or if stock is not available. Also, lead times and pricing are based strictly on the exact product configurations shown only. Any variance from the exact configurations shown will be treated as a normal made-to-order product, and will be subject to normal made-to-order lead times and pricing.*

1611 Clovis Barker Road  
San Marcos, TX 78666  
512/753-1000  
800/227-0758  
Fax: 512/753-7855  
sitelighting.com



**Philips Gardco Warranty**

Philips Gardco luminaires feature a 5 year limited warranty. EMCO series luminaires feature a 1 year limited warranty. See Warranty Information on [sitelighting.com](http://sitelighting.com) for complete details and exclusions.



© 2012 Koninklijke Philips Electronics N.V.  
All Rights Reserved.

Document order number: GE100-006/0312