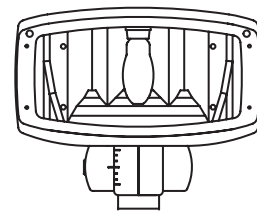


Job:  
 Type:  
 Notes:

# Designer Floodlight

DF7 - 7"

The Philips Gardco Designer Floodlight DF7 is a flood luminaire with a choice of (5) precision faceted optical systems. Each is designed to provide a specific distribution and sharp cutoff of stray light. The contemporary soft form diecast housing is available in a variety of finishes creating compatibility with most architectural and landscape elements. The high strength diecast aluminum knuckle features an integral splice compartment eliminating the need for a supplementary junction box and thereby permitting closer to grade mounting.



PREFIX	MOUNTING	DISTRIBUTION	WATTAGE	VOLTAGE	FINISH	OPTIONS

Enter the order code into the appropriate box above. Note: Philips Gardco reserves the right to refuse a configuration. Not all combinations and configurations are valid. Refer to notes below for exclusions and limitations. For questions or concerns, please consult the factory.

## PREFIX MOUNTING

DF7

<b>C</b>	Stub-up Conduit Mount. For direct mounting to (2) 1/2" (1.27cm) or 3/4" (1.91cm) GRC or IMC conduits. No j-box required. Must use factory supplied mounting insert when setting stub-ups.
<b>J</b>	J-Box Mount. For mounting into 1/2" (1.27cm) hub. Also suitable for direct surface mount to walls or ceilings when fed by EMT, BX, SJO, NM, etc. (For surface mount over outlet box, specify W or W90 mount).
<b>W</b>	Wall/Ceiling Canopy Mount. For mounting over (not to) a 4" recessed outlet box. When mounted on vertical surface, provides vertical aiming from straight down to 100° up from nadir. When mounted on a vertical surface, long axis of luminaire must be horizontal (+/-30°). Mounts directly to wall or ceiling. The surface structure must be suitable to support the luminaire. Only suitable for use on non-combustable surfaces.
<b>WMB</b>	Wall Mount Bullhorn. For mounting over (not to) a 4" (10.16cm) recessed outlet box. Provides full axial 180° vertical and 358° rotational aiming. Mounts direct to wall. Surface structure must be suitable to support the assembly. Outer end of WMB must be in the "straight up" position, as shown in diagram on opposite page. Luminaire mounts with the knuckle below the body of the luminaire only.
<b>W90</b>	Wall Arm Mount. For mounting over (not to) a 4" (10.16cm) recessed outlet box. Provides full axial 180° vertical and 358° rotational aiming range. Mounts direct to wall. Surface structure must be suitable to support the luminaire. When mounted in wet locations, luminaire must be mounted as shown in diagrams on page 2. In damp or dry locations, arm assembly may be inverted.
<b>ST</b>	Stanchion Mount. 18" (45.72cm) stanchion for in-ground concrete burial mounting.
<b>SM</b>	Surface Mount Stanchion. For mounting to 18" (45.72cm) stanchion pole assembly.

## DISTRIBUTION

- HFL** Horizontal Flood
- VFL** Vertical Flood
- HSP** Horizontal Spot
- NSP** Narrow Spot
- FLM** Fluorescent Medium  
*Available with fluorescent wattages only.*

## WATTAGE

Pulse Start MH Magnetic Ballast	<b>70MH</b>	<b>150MH</b>	<b>200MH<sup>1</sup> (E)</b>
Standard MH Magnetic Ballast*	<b>100MH</b>	<b>175PSMH<sup>1,4</sup> (E)</b>	
	<b>175MH*</b>	<b>250MH*<sup>1</sup></b>	
Compact Fluorescent Electronic Ballast	<b>26QF<sup>2,3</sup></b> <b>32TRF<sup>2,3</sup></b>	<b>42TRF<sup>2,3</sup></b>	<b>70CF<sup>2,3</sup></b>
High Pressure Sodium Magnetic Ballast	<b>70HPS</b>	<b>100HPS</b>	<b>150HPS</b>
* 175MH and 250MH not available for sale in the United States.			
<div style="display: flex; align-items: center;"> <div style="border: 1px solid black; border-radius: 50%; width: 20px; height: 20px; display: flex; align-items: center; justify-content: center; margin-right: 5px;">E</div> <div>Wattages marked with Circle "E" meet federal energy efficiency standards applicable to 150 watt through 500 watt metal halide luminaires only.</div> </div>			

## VOLTAGE

- 120
- 208
- 240
- 277
- 347
- UNIV<sup>3</sup>

- Notes:**
1. Utilizes mogul based lamps (T15, E18 or E28). Available with VFL, HSP, and NSP distributions only. Not available with PCB, POLY, F or ESB options.
  2. Available with FLM optic only.
  3. Electronic ballasts that accept 120V through 277V, 50hz to 60hz, input are provided with fluorescent luminaires ONLY. Specify "UNIV" voltage for 120V through 277V in fluorescent luminaires.
  4. Not available in 347V.

1611 Clovis Barker Road, San Marcos, TX 78666  
 (800) 227-0758 (512) 753-1000 FAX: (512) 753-7855 [sitelighting.com](http://sitelighting.com)

© 2011 Koninklijke Philips Electronics N.V. All Rights Reserved.

Philips Gardco reserves the right to change materials or modify the design of its product without notification as part of the company's continuing product improvement program.

79115-73/0511

**PHILIPS**



## FINISH

<b>BRP</b>	Bronze Paint
<b>BLP</b>	Black Paint
<b>WP</b>	White Paint
<b>NP</b>	Natural Aluminum Paint
<b>BGP</b>	Beige Paint
<b>VP</b>	Verde Green Paint
<b>OC</b>	Optional Color Paint Specify RAL designation ex: OC-RAL7024.
<b>SC</b>	Special Color Paint Specify. Must supply color chip

## OPTIONS

<b>PCB</b> <sup>5</sup>	Button Type Photocontrol
<b>BD</b> <sup>6</sup>	Barn Doors
<b>CH</b> <sup>6</sup>	Cutoff Hood
<b>POLY</b> <sup>5,7,11</sup>	Polycarbonate Shield
<b>F</b> <sup>8</sup>	Fusing
<b>ESB</b> <sup>9</sup>	Extended Splice Box
<b>WG</b> <sup>10</sup>	Wire Guard

Notes:

5. Not Available with 175PSMH, 200MH, or 250MH.
6. Barn Doors (BD) and Cutoff Hoods (CH) are painted to match the luminaire. Either can be used concurrently with the POLY option.
7. Not Available with WG option.
8. 120V through 277V only.
9. Supplied standard with 175PSMH, 200MH, and 250MH luminaires. Not available for use as additional splicing volume with 175PSMH, 200MH, or 250MH luminaires.
10. Not Available with BD, CH and POLY options. Field Installable.
11. Polycarbonate lenses carry a 1 year warranty only.

## ADDITIONAL MOUNTING ACCESSORIES

<b>PTA</b>	Pole top 2 3/8" (6.03cm) tenon adapter
<b>TAB</b>	Twin arm bracket for use with ST or PTA
<b>PT2</b>	Pole top 2 3/8" (6.03cm) tenon adapter for twin back to back luminaire mounting.

## SPECIFICATIONS

**HOUSING:** A single-piece aluminum housing is die cast in a soft barrel form. A one piece extruded gasket mates with door frame.

**DOOR/LENS ASSEMBLY:** A heat and impact resistant 3/16" (.48cm) tempered glass lens and one piece silicone gasket are mechanically secured to door frame.

**KNUCKLE:** The die cast aluminum knuckle features an integral splice compartment. A single captive 3/16" (.48cm) stainless steel allen-head bolt and stainless steel nut securely lock the knuckle aiming teeth in 5° increments. An opposite cover plate is removable for access to splices. The knuckle assembly is fully gasketed.

**OPTICAL SYSTEM:** The wide flood, vertical flood and horizontal spot optical systems are homogenous sheet and extruded aluminum, electrochemically brightened, anodized and sealed. The narrow spot reflector is hydroformed faceted Alzak<sup>®</sup> aluminum.

**ELECTRICAL:** **HID UNITS:** Each high power factor ballast is the separate component magnetic type capable of providing reliable lamp starting to -20°F/-29°C. **FLUORESCENT UNITS:** Electronic high power factor ballast is standard.

**LAMPHOLDER:** The pulse rated socket is glazed porcelain with nickel plated screw shell. All sockets are medium base except 175PSMH, 200MH and 250MH units.

**FINISH:** Each luminaire receives a fade and abrasion resistant, electrostatically applied, thermally cured textured, polyester powdercoat finish.

**LABELS:** All luminaires bear UL or CUL (where applicable) Wet Location labels.

**WARRANTY:** Philips Gardco luminaires feature a 5 year limited warranty. See Warranty Information on [www.sitelighting.com](http://www.sitelighting.com) for complete details and exclusions. Polycarbonate lenses carry a 1 year warranty only.

DF7 Splice Compartment Capacity	Standard Units	Extended Splice Box	175PSMH, 200MH and 250MH Units
#12 AWG Conductors <sup>12</sup>	5	9	5
#10 AWG Conductors <sup>12</sup>	3	7	3

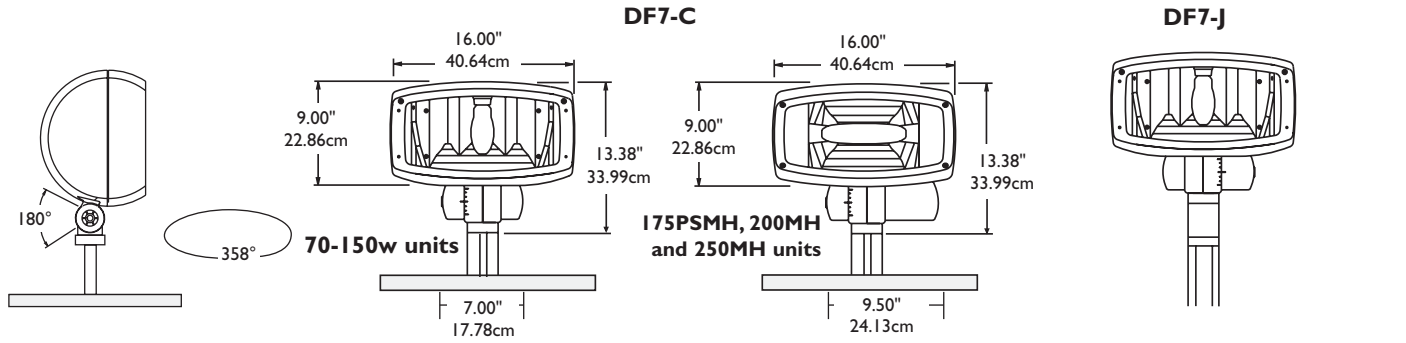
<sup>12</sup> Including ground.

DF7 Pole Loading Data	EPA
Single Luminaire on PTA Adapter	1.3 ft <sup>2</sup> /.12m <sup>2</sup>
Twin Luminaires on PTA Adapter	1.9 ft <sup>2</sup> /.18m <sup>2</sup>
Twin Luminaires on TAB Adapter	2.8ft <sup>2</sup> /.26m <sup>2</sup>

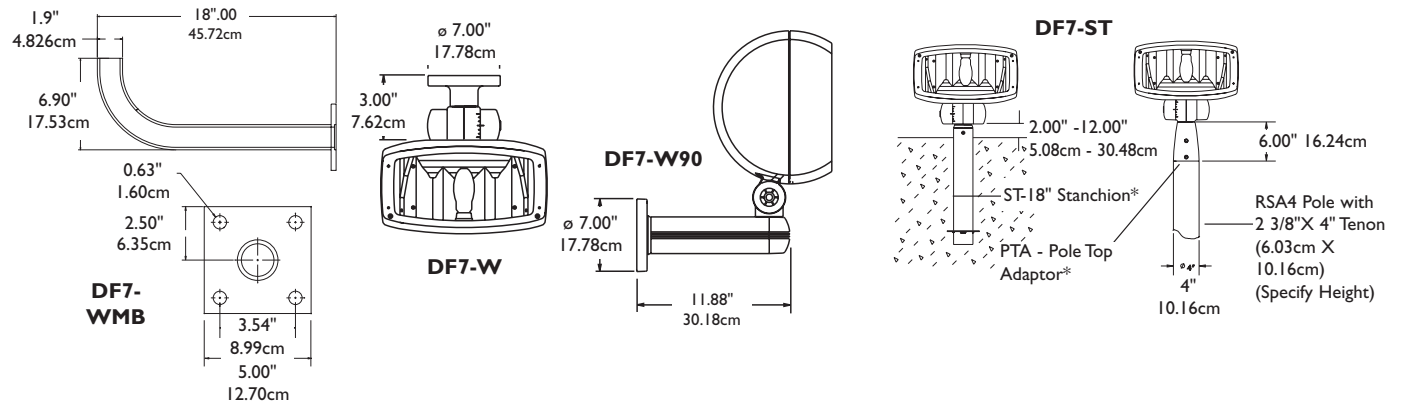
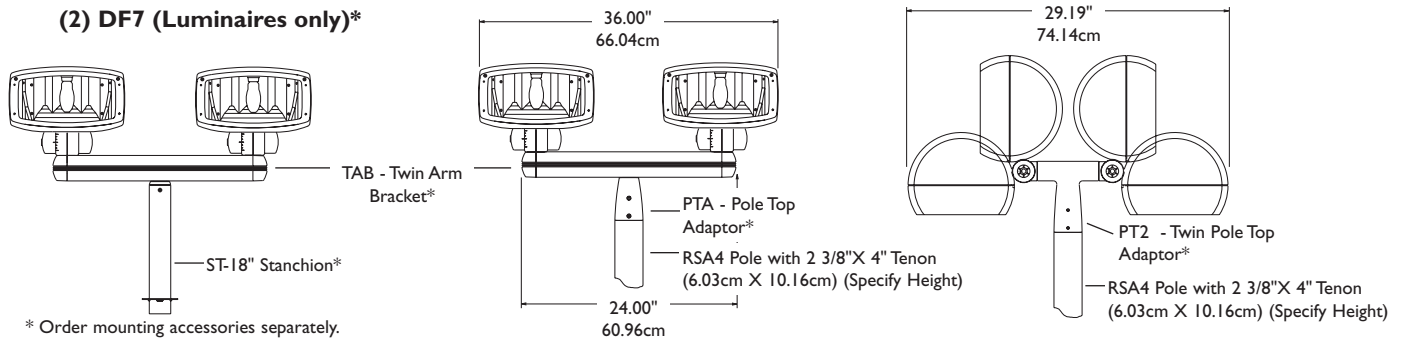
# Designer Floodlight

DF7 - 7"

## DIMENSIONS AND MOUNTING



### (2) DF7 (Luminaires only)\*



1611 Clovis Barker Road, San Marcos, TX 78666

(800) 227-0758 (512) 753-1000 FAX: (512) 753-7855 sitelighting.com

© 2011 Koninklijke Philips Electronics N.V. All Rights Reserved.

Philips Gardco reserves the right to change materials or modify the design of its product without notification as part of the company's continuing product improvement program.

79115-73/0511

**PHILIPS**

**GARDCO**