

Job:
 Type:
 Notes:

Poles

Straight Square Aluminum - Hinged Base

The Philips Gardco hinged base aluminum pole consists of a one-piece round extruded aluminum lighting standard welded to a cast aluminum base plate. This top plate/pole assembly is attached on-site to the lower base with removable pivot pins. This construction allows for easy installation and servicing of the attached luminaires without the need for a ladder or bucket truck. The poles are finished with either Architectural Class I anodizing or electrostatically applied TGIC polyester powdercoat. All poles include anchor bolts, full base cover, hand hole, ground lug and top cap.



PREFIX	BASE	HEIGHT	DRILLING	FINISH	OPTIONS

Enter the order code into the appropriate box above. Note: Gardco reserves the right to refuse a configuration. Not all combinations and configurations are valid. Refer to notes below for exclusions and limitations. For questions or concerns, please consult the factory.

PREFIX	BASE	HEIGHT ¹	DRILLING
SSA4	HB Hinged Base	8'	D1 1 Way
SSA5		10'	D2 2 Way
		12'	D2@90 2 Way at 90°
		15'	D3 3 Way
		16'	D4 4 Way
		18'	T2 2 3/8" OD Tenon
		20'	T4 4" OD Tenon

FINISH	
BRP	Bronze Paint
BLP	Black Paint
WP	White Paint
NP	Natural Aluminum Paint
BRA	Bronze Anodized
BLA	Black Anodized
NA	Natural Anodized
OC	Optional Color Paint <i>Specify Optional Color or RAL ex: OC-LGP or OC-RAL7024.</i>
SC	Special Color Paint <i>Specify. Must supply color chip.</i>

OPTIONS	
DR	Duplex Receptacle
GFCI	Ground Fault Receptacle
AHH	Additional Hand Hole
VDA	Vibration Dampener
Nipples and Couplings	
<i>Indicate size (1/2", 3/4", 1", 1 1/4", 1 1/2".) Indicate height above base and orientation to hand hole. See Pole Orientation Information on Page 4.</i>	
NL	Nipple - External thread
CL	Coupling - Internal thread
Single Mount Bullhorn Brackets	
<i>Indicate height above base and orientation to hand hole. See Pole Orientation Information on Page 4.</i>	
A15BH-19	Single - 1.9" OD
A15BH-24	Single - 2.4" OD
A215BH-19	2-Tenon - 1.9" OD
A215BH-24	2-Tenon - 2.4" OD
Motion Response Provisions	
GMR	Provision for Gardco HID Motion Response System
<i>Minimum Pole Height is 18'. Includes a 1/2" coupling placed 180° to the hand hole, 12' above the pole base.</i>	
MSM	Motion Sensor Mounting Provision for LED Luminaires available with Motion Response
<i>Minimum Pole Height is 18'. Includes a special hand hole with 1/2" coupling placed in the cover plate, 180° to the hand hole, 15' above the pole base.</i>	

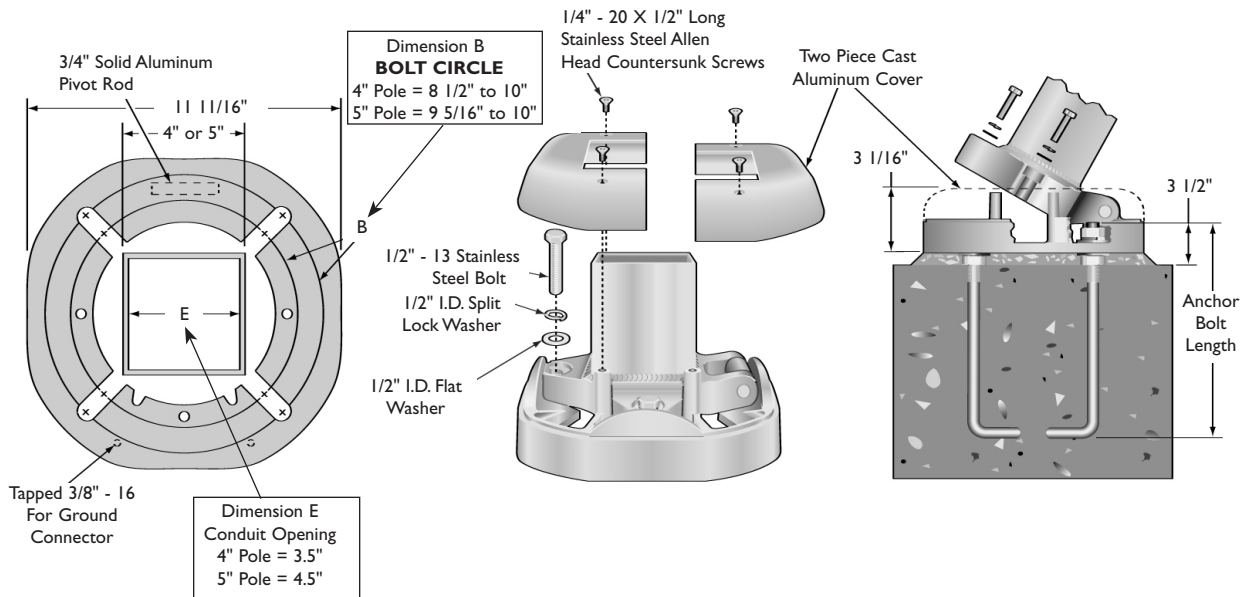
POLE DATA

CATALOG NUMBER	POLE SIZE			MAXIMUM LUMINAIRE LOADING ¹			ANCHOR BOLT DATA ²		
	PREFIX - BASE - HEIGHT	ACTUAL HEIGHT	WEIGHT (LBS)	WALL THICKNESS (inches.)	100 MPH EPA-FT ²	90 MPH EPA-FT ²	80 MPH EPA-FT ²	BOLT CIRCLE (inches)	BOLT SIZE (inches)
SSA4-HB-8	8'	44	.125	11.9	15.2	19.9	8.5 - 10	3/4 x 17 x 3	3.5"
SSA4-HB-10	10'	48	.125	8.8	11.4	15.2	8.5 - 10	3/4 x 17 x 3	3.5"
SSA4-HB-12	12'	53	.125	6.3	8.5	11.5	8.5 - 10	3/4 x 17 x 3	3.5"
SSA4-HB-15	15'	60	.125	2.8	4.2	6.2	8.5 - 10	3/4 x 17 x 3	3.5"
SSA4-HB-16	16'	62	.125	2.1	3.4	5.3	8.5 - 10	3/4 x 17 x 3	3.5"
SSA4-HB-18	18'	77	.188	3.3	5.0	7.4	8.5 - 10	3/4 x 17 x 3	3.5"
SSA5-HB-20	20'	84	.188	5.0	7.6	11.2	9.32 - 10	3/4 x 17 x 3	3.5"

- Warning:** Additional wind loading, in terms of EPA, from banners, cameras, floodlights and other accessories attached to the pole, must be added to the luminaire(s) EPA before selecting the pole with the appropriate wind load capability.
- Factory supplied template must be used when setting anchor bolts. Philips Gardco will not honor any claim for incorrect anchorage placement resulting from failure to use factory supplied templates.

DIMENSIONS

NOTE: Factory supplied template must be used when setting anchor bolts. Philips Gardco will not honor any claim for incorrect anchorage placement from failure to use factory supplied templates.



1611 Clovis Barker Road, San Marcos, TX 78666
 (800) 227-0758 (512) 753-1000 FAX: (512) 753-7855 sitelighting.com

© 2011 Koninklijke Philips Electronics N.V. All Rights Reserved.

Philips Gardco reserves the right to change materials or modify the design of its product without notification as part of the company's continuing product improvement program.

79415-23/1011

PHILIPS



SPECIFICATIONS

POLE SHAFT: The pole shaft shall be extruded from all new 6005 alloy aluminum tubing.

UNIVERSAL HINGED BASE: The universal hinged anchor base is cast from A356 alloy aluminum. The shaft shall be inserted into the tilting section of the hinged base and shall be joined to it by continuous circumferential welds at the outside top and inside bottom of that section. The tilted and anchored sections of the hinged base shall be joined by a 3/4" diameter solid aluminum pivot rod. The tilting section of the hinged base shall be held in a vertical position by (3) 1/2"-13 X 2" stainless steel hex head bolts. These bolts shall attach to stainless steel inserts cast into the aluminum base. The completed assembly shall be heat treated to a T6 condition.

ANCHOR BOLTS: Anchor bolts are fabricated from a commercial quality hot rolled carbon steel bar that meets or exceeds a minimum guaranteed yield strength of 50,000 psi. Bolts have an "L" bend on one end and threaded on the opposite end. Anchor bolts are completely hot dipped galvanized. Four (4) properly sized bolts, each furnished with two (2) regular hex nuts and two (2) flat washers, are provided per pole, unless otherwise specified.

HAND HOLE: The hand hole has a nominal rectangular 2" X 4" (4") or 2 1/2" X 4" (5") inside opening in the pole shaft and tenon assembly. Included is an aluminum cover plate with attachment screws. The hand hole is centered 12" above the bottom of the pole on 4" poles and 14" above the bottom of the pole on 5" poles, both 180° opposite the hinge.

BASE COVER: A two-piece, heavy wall cast aluminum cover completely conceals the entire base plate and anchorage. The base cover is secured to the base assembly with four (4) stainless steel fasteners.

POLE TOP CAP: Each pole assembly is provided with a removable pole top cap.

FINISH: Poles are available with bronze, natural or black Aluminum Association Architectural Class I anodized finish. Electrostatically applied, thermally cured TGIC polyester powdercoat finish or liquid polyurethane is also available.

GENERAL POLE INFORMATION

DESIGN: The poles as charted are designed to withstand dead loads and predicted dynamic loads developed by variable wind speeds with an additional 30% gust factor under the following conditions:

The charted weights include luminaire(s) and/or mounting bracket(s).

The wind velocities are based on 10 mph increments from 80 mph through 100 mph. Poles to be located in areas of known abnormal conditions may require special consideration. For example: coastal areas, airports and areas of special winds.

Poles are designed for ground mounted applications. Poles mounted on structures (such as buildings and bridges) may also necessitate special consideration requiring Philips Gardco's recommendation.

Height correction factors and drag coefficients are applied to the entire structure. An appropriate safety factor is maintained based on the minimum yield strength of the material incorporated in the pole.

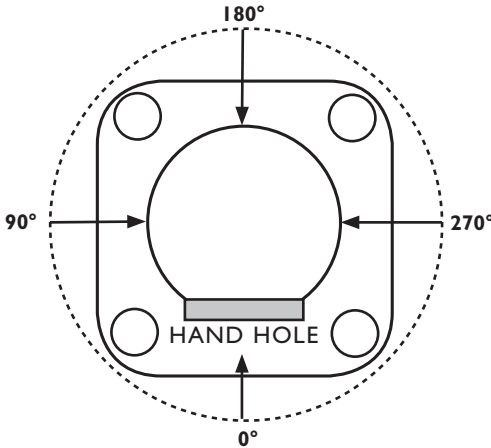
WARNING: This design information is intended as a general guideline only. The customer is solely responsible for proper selection of pole, luminaire, accessory and foundation under the given site conditions and intended usage. The addition of any items to the pole, in addition to the luminaire, will dramatically impact the EPA load on that pole. It is strongly recommended that a qualified professional be consulted to analyze the loads given the user's specific needs to ensure proper selection of the pole, luminaire, accessories, and foundation. Philips Gardco assumes no responsibility for such proper analysis or product selections. **Failure to insure proper site analysis, pole selection, loads and installation can result in pole failure, leading to serious injury or property damage.**

GENERAL INFORMATION: Mounting height is the vertical distance from the base of the lighting pole to the center of the luminaire arm at the point of luminaire attachment. Twin arms as charted are oriented at 180° with respect to each other. For applications of two (2) arms at 90° or other multiple arm applications, consult the factory.

WARRANTY: Philips Gardco poles feature a 1 year limited warranty. See Warranty Information on www.sitelighting.com for complete details and exclusions.

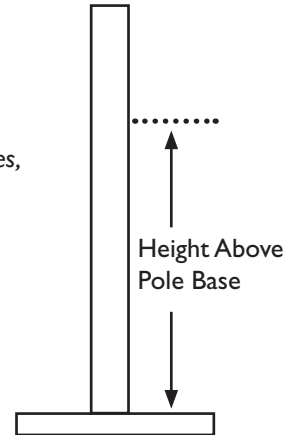
ORIENTATION INFORMATION

FACTORY INSTALLED OPTIONS AND ACCESSORIES



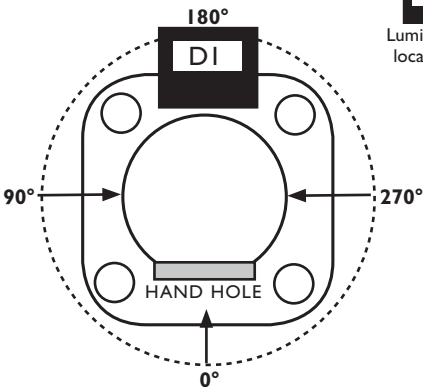
Orientation is measured clockwise from the Hand Hole Center.

For Factory Installed Options and Accessories, Specify Orientation from Hand Hole and Height Above Pole Base Where Required.



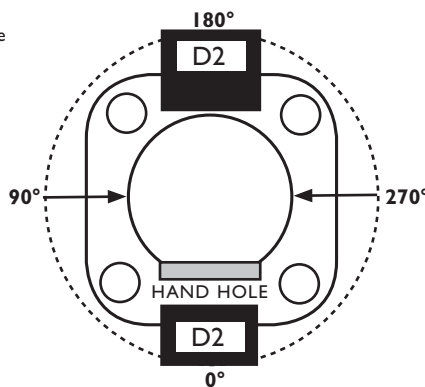
STANDARD ARM MOUNT LUMINAIRE ORIENTATION

D1 Drilled for Single Luminaire

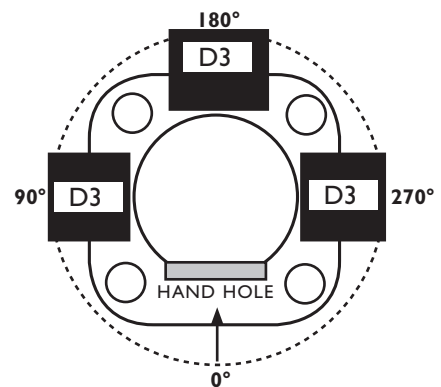


 Luminaire location

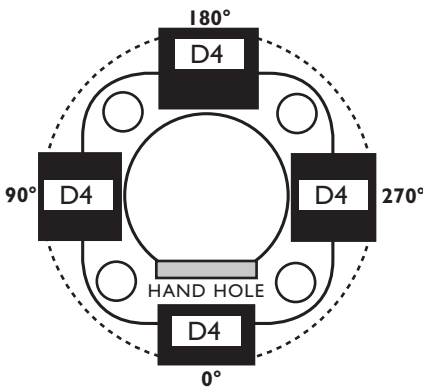
D2 Drilled for 2 Luminaires at 180°



D3 Drilled for 3 Luminaires @ 90°



D4 Drilled for 4 Luminaires at 90°



D2@90 Drilled for 2 Luminaires at 90°

