

Miniray and Mantaray

MI2 / MI5 Series Luminaires

Page 2 of 3

FINISH

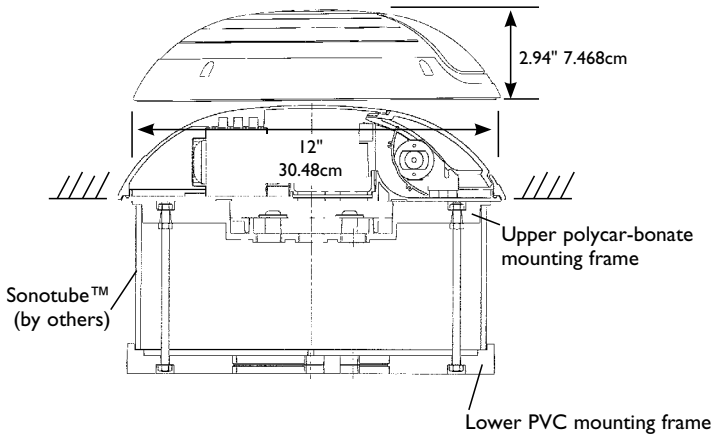
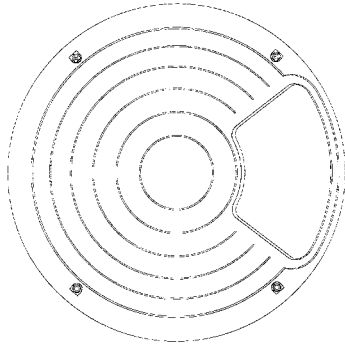
BRP	Bronze Paint
BLP	Black Paint
WP	White Paint
NP	Natural Aluminum Paint
BGP	Beige Paint
VP	Verde Green Paint
OC	Optional Color Paint Specify <i>Optional Color</i> or <i>RAL</i> ex: <i>OC-LGP</i> or <i>OC-RAL7024</i> .
SC	Special Paint Specify. <i>Must supply color chip.</i>
UNP	Unpainted <i>Available with MI2B or MI5B only.</i>

OPTIONS

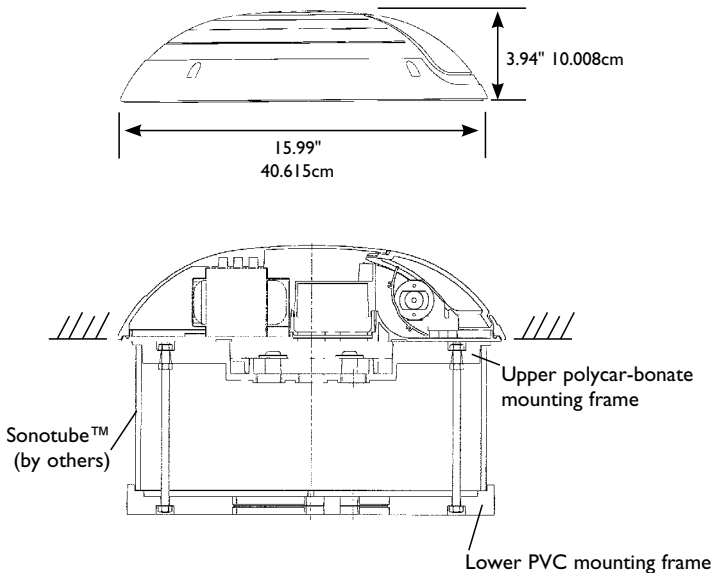
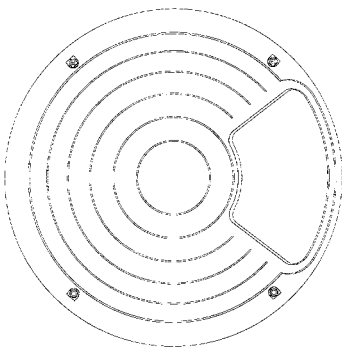
F	Fusing <i>T39MH</i> or <i>T70MH</i> only
LG	Louver Guard

DIMENSIONS

Miniray



Mantaray



1611 Clovis Barker Road, San Marcos, TX 78666

(800) 227-0758 (512) 753-1000 FAX: (512) 753-7855 sitelighting.com

© 2010 Koninklijke Philips Electronics N.V. All Rights Reserved.

Philips Gardco reserves the right to change materials or modify the design of its product without notification as part of the company's continuing product improvement program.

79115-116/1110

PHILIPS



SPECIFICATIONS

GENERAL: Philips Gardco Miniray and Mantaray outdoor luminaires utilize compact metal halide lamps or MR16 halogen lamps (Miniray only) and are suitable for wall mounting, ceiling mounting or ground mounting. Housing and mounting base are die cast aluminum or brass. Luminaire optical systems provide either a narrow flood or a horizontal flood distribution, with the exception of MR16 types which provide a distribution based on the selection of the MR16 lamp.

HOUSINGS: Housings are single-piece aluminum or brass diecastings in the form of a shallow dome. Optically clear, tempered borosilicate glass lens is mechanically secured in housing and gasketed. Housing is secured to mounting base with four (4) stainless steel slotted fasteners and sealed with memory retentive gasket to exclude moisture, dust, pollutants, and insects from optical and electrical systems.

MOUNTING: Surface units (S) mount directly to building surface over recessed j-box or conduit feed (by others). Ground mount (G) units include polycarbonate and PVC mounting kit designed to secure Sonotube™ (by others) in direct burial in soil or concrete.

OPTICAL SYSTEMS: Reflectors are composed of specular extruded or formed aluminum faceted components. Reflector elements are designed to provide either a horizontal flood or narrow flood distribution. MR16 types provide a distribution based on the selection of the MR16 lamp. Units may be rotated 360° horizontally and provide vertical aiming to 90°. Miniray optical systems are designed to accept T-4.5 ceramic metal halide lamps with a G-8.5 bi-pin base or MR16 lamps. Mantaray optical systems accept T-6 ceramic metal halide lamps with a G-12 bi-pin base or T-4 Quartz lamp with double contact bayonet base.

ELECTRICAL: All luminaires utilize magnetic metal halide ballasts that are high power factor and designed for reliable lamp starting to -20°F. G-12 and G-8.5 base bi-pin sockets are glazed porcelain with nickel plated contacts. lamps.

FINISH: Each luminaire receives a fade and abrasion resistant electrostatically applied, thermally cured, (TGIC) polyester powdercoat finish., unless specified with a brass housing and an unpainted finish.

LABELS: All luminaires bear UL or CUL (where applicable) Wet Location labels.

WARRANTY: Gardco luminaires feature a 5 year limited warranty. See Warranty Information on www.sitelighting.com for complete details and exclusions.

1611 Clovis Barker Road, San Marcos, TX 78666

(800) 227-0758 (512) 753-1000 FAX: (512) 753-7855 [sitelighting.com](http://www.sitelighting.com)

© 2010 Koninklijke Philips Electronics N.V. All Rights Reserved.

Philips Gardco reserves the right to change materials or modify the design of its product without notification as part of the company's continuing product improvement program.

79115-1116/1110

PHILIPS

