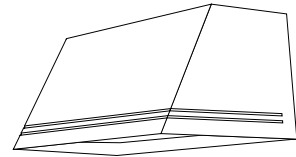


Job:  
 Type:  
 Notes:

# 110 Line

## 111 Mini Sconce

The 110 Line combines high output and full cutoff performance with design and construction worthy of landmark architecture. The 111 Mini Sconce mirrors the renowned Gardco 100 Line, with classic styling, intelligent engineering and integrity of construction. This compact luminaire provides full cutoff performance without the high angle brightness associated with refractor type products, making them an attractive choice for controlled illumination at points of entry. Add to this seamless material transitions, flawless finishes and engineering considerate of installation, service and long term operation and one immediately appreciates that size need not compromise quality. 111 luminaires installed in the normal downlight position, with a flat glass lens, provide full cutoff performance.



PREFIX	DISTRIBUTION	WATTAGE	VOLTAGE	FINISH	OPTIONS

Enter the order code into the appropriate box above. Note: Gardco reserves the right to refuse a configuration. Not all combinations and configurations are valid. Refer to notes below for exclusions and limitations. For questions or concerns, please consult the factory.

### PREFIX

- 111** Trapezoidal Wedge (Standard Luminaire)
- 111EM** Emergency Sconce
- 111EMC** Emergency Sconce, Cold Temperature
- 111EMR** Remote Emergency Sconce

Refer to configuration chart below for available combinations.

### DISTRIBUTION

- FT** Forward Throw *T6 MH and CMHE types only.*
- WT** Wide Throw *T6 MH and CMHE types only.*
- MT** Medium Throw *Fluorescent and E-17 HID lamps only.*

### WATTAGE AND VOLTAGE

LAMP / VOLTAGE CHART - 111

FT / WT DISTRIBUTION						
T6 Lamps	Voltage					
	120	208	240	277	347	480
<i>(T6 Lamps Supplied by Gardco.)</i>						
<b>T39MH</b>	.	.	.	.	.	.
<b>T70MH</b>	.	.	.	.	.	.
<b>T39CMHE<sup>1</sup></b>	<b>UNIV</b>					
<b>T70CMHE<sup>1</sup></b>	<b>UNIV</b>					

MH - Metal Halide  
 CMHE - Ceramic Metal Halide  
 with Electronic Ballast  
 HPS - High Pressure Sodium  
 TRF - Triple Tube Fluorescent  
 QF - Quad Fluorescent

CONFIGURATION CHART - 111EM, 111EMC, OR 111EMR

Fluorescent	Distribution			Voltage					
	FT	WT	MT	120	208	240	277	347	480
<b>26QF</b>			.	.			.		
<b>32TRF</b>			.	.			.		
<b>42TRF<sup>2</sup></b>			.	.			.		

1. Fluorescent and CMHE luminaires feature electronic ballasts that accept 120V through 277V, 50hz to 60hz, input. Specify "UNIV" voltage for 120V through 277V.
2. Not Available in 111EM or 111EMC.

LAMP / VOLTAGE CHART - 111

MT DISTRIBUTION						
E17 - HID*	Voltage					
	120	208	240	277	347	480
<b>50MH</b>	.	.	.	.	.	.
<b>70MH</b>	.	.	.	.	.	.
<b>35HPS</b>	.	.	.	.	.	.
<b>50HPS</b>	.	.	.	.	.	.
<b>70HPS</b>	.	.	.	.	.	.
<i>Fluorescent</i>						
<b>26QF<sup>1</sup></b>	<b>UNIV</b>					.
<b>32TRF<sup>1</sup></b>	<b>UNIV</b>					.
<b>42TRF<sup>1</sup></b>	<b>UNIV</b>					.
<i>Incandescent</i>						
<b>INC</b>	.	.	.	.	.	.

\* MH, CMHE and HPS types require medium based E17 lamps.  
 All MH and CMHE types shown are pulse start by design.

Combinations marked with a dot, shown with "UNIV" or "200-277" are available for ordering.

1611 Clovis Barker Road, San Marcos, TX 78666  
 (800) 227-0758 (512) 753-1000 FAX: (512) 753-7855 [sitelighting.com](http://sitelighting.com)

© 2010 Koninklijke Philips Electronics N.V. All Rights Reserved.

Philips Gardco reserves the right to change materials or modify the design of its product without notification as part of the company's continuing product improvement program.

79115-97/0810

**PHILIPS**



### FINISH

<b>BRP</b>	Bronze Paint
<b>BLP</b>	Black Paint
<b>WP</b>	White Paint
<b>NP</b>	Natural Aluminum Paint
<b>BGP</b>	Beige Paint
<b>OC</b>	Optional Color Paint Specify Optional Color or RAL ex: OC-LGP or OC-RAL7024.
<b>SC</b>	Special Paint Specify. Must supply color chip.

### OPTIONS

<b>F<sup>3</sup></b>	Fusing
<b>PCB<sup>4</sup></b>	Button Type Photocontrol
<b>SL</b>	Solite <sup>®</sup> Diffusing Lens
<b>UT</b>	5° Uptilt
<b>WLU<sup>5</sup></b>	Wet Location Door for Inverted Mount
<b>WG<sup>6</sup></b>	Wire Guard
<b>WS<sup>7</sup></b>	Wall Mounted Box for Surface Conduit

3. 120V through 277V only. Not available in Incandescent.

4. Not available with 111EM.

5. Not Available with WG option.

6. Not Available with WLU option.

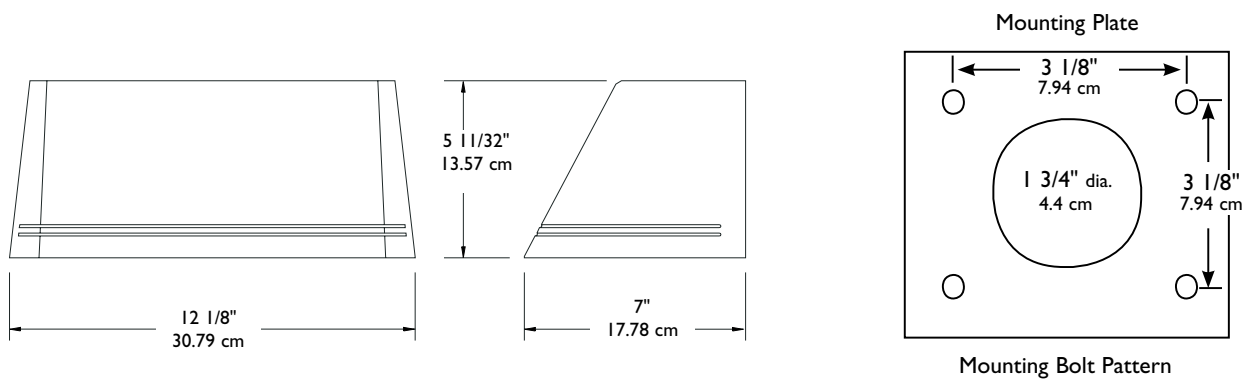
7. Rear entry permitted.

8. Emergency Battery Packs for EMR types MUST be ordered with luminaires and supplied by Gardco.

### EMR LUMINAIRES ONLY<sup>8</sup>

**B84CG** Bodine Remote Emergency Pack

### DIMENSIONS



Note: Mounting plate center is located in the center of the luminaire width and 2.38" (6.03cm) above the luminaire bottom (lens down position). Splices must be made in the J-box (by others). Mounting plate must be secured by max. 5/16" (.79cm) diameter bolts (by others) structurally to the wall.

### SPECIFICATIONS

**GENERAL:** Each Gardco III luminaire is a wall mounted cutoff luminaire for high intensity discharge, compact fluorescent or incandescent lamps. Internal components are totally enclosed in a rain-tight, dust-tight and corrosion resistant housing. The housing, back plate and door frame are die cast aluminum. A choice of three (3) optical systems is available. Luminaires are suitable for wet locations (damp locations if inverted).

**HOUSING:** Single-piece soft trapezoidal housings are die cast aluminum. A memory retentive gasket seals the housing with the doorframe to exclude moisture, dust, insects and pollutants from the optical system. A black, die cast ribbed backplate dissipates heat for longer lamp and ballast life.

**DOOR FRAME:** A single-piece die cast aluminum door frame integrates to the housing form. The door frame is hinged closed and secured to the housing with two (2) captive stainless steel fasteners. The heat and impact resistant 1/8" (.32cm) tempered glass lens and one-piece gasket are mechanically secured to the door frame.

**OPTICAL SYSTEMS:** Reflectors are composed of specular extruded and faceted components, electropolished, anodized and sealed. Reflector segments are set in arc tube image duplicating patterns to achieve the wide throw, forward throw or medium throw distributions.

#### ELECTRICAL:

**STANDARD LUMINAIRES:** Each high power factor HID core and coil or electronic ballast is capable of providing reliable lamp starting down to -20°F/-29°C. Component-to-component wiring within the luminaire will carry no more than 80% of rated current and is listed by UL for use at 600 VAC at 302°F/150°C or higher. Plug disconnects are listed by UL for use at 600 VAC, 15A or higher.

Standard fluorescent units have a starting temperature of 0°F/-18°C. Standard fluorescent ballasts are high power factor electronic solid state.

**EM AND EMC LUMINAIRES:** In the event of power interruption, integral battery pack will power (1) 32W or (1) 26W compact fluorescent lamp at reduced light levels for a minimum of 90 minutes. Maintenance free battery is rated for ambient temperatures down to 32°F/0°C (EM) or -4°F/-20°C (EMC). Indicator light is visible through the lens. A test switch is accessible through the door assembly. EM and EMC units do not bear CUL label.

**EMR LUMINAIRES:** A 7.5"/2.29m, 12 wire, quick disconnect assembly is provided for wiring through conduit (by others) to a Bodine B84CG fluorescent emergency battery pack. The fluorescent emergency battery pack MUST be supplied by Gardco. The B84CG option is required to be on the order to the factory. In the event of power interruption, the B84CG remote battery pack will power (1) 42W, (1) 32W or (1) 26W compact fluorescent lamp at at reduced light levels for a minimum of 90 minutes.

Maintenance free battery is rated for ambient temperatures down to 32°F/0°C. Minimum luminaire starting temperature is 0°F/-18°C. Indicator light is visible through the lens. A test switch is accessible through the door assembly. NOTE: B84CG does not bear CUL label.

**LAMPHOLDER:** Pulse rated medium base sockets are glazed porcelain with nickel plated screw shell. T6 lamps use a G12 base, pulse rated porcelain sockets. Fluorescent sockets are high temperature PBT with brass contacts.

**FINISH:** Each standard color luminaire receives a fade and abrasion resistant, electrostatically applied, thermally cured, triglycidal isocyanurate (TGIC) textured polyester powdercoat finish. Standard colors include bronze (BRP), black (BLP), white (WYP), natural aluminum (NP) and beige (BGP). Consult factory for specs on custom colors.

**LABELS:** All luminaires bear either UL or CUL (where applicable) Wet Location labels. Lens down application is Wet Location and lens up is Damp Location, except when using the optional inverted Wet Location components.

**WARRANTY:** Gardco luminaires feature a 5 year limited warranty. See Warranty Information on [www.sitelighting.com](http://www.sitelighting.com) for complete details and exclusions. Polycarbonate lenses carry a 1 year warranty only.

**FULL CUTOFF PERFORMANCE:** Full cutoff performance means a luminaire distribution where zero candela intensity occurs at an angle at or above 90° above nadir. Additionally, the candela per 1000 lamp lumens does not numerically exceed 100 (10 percent) at a vertical angle of 80° above nadir. This applies to all lateral angles around the luminaire.

**CUTOFF PERFORMANCE:** Cutoff performance means a luminaire distribution where the candela per 1000 lamp lumens does not numerically exceed 25 (2.5 percent) at an angle at or above 90° above nadir, and 100 (10 percent) at a vertical angle of 80° above nadir. This applies to all lateral angles around the luminaire.

1611 Clovis Barker Road, San Marcos, TX 78666

(800) 227-0758 (512) 753-1000 FAX: (512) 753-7855 [sitelighting.com](http://www.sitelighting.com)

© 2010 Koninklijke Philips Electronics N.V. All Rights Reserved.

Philips Gardco reserves the right to change materials or modify the design of its product without notification as part of the company's continuing product improvement program.

79115-97/0810

**PHILIPS**

