

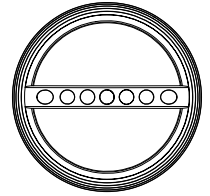
Job:
Type:
Notes:

Fascia Forms

Page 1 of 2

500 Series

Philips Gardco Fascia Forms are wall mounted luminaires utilizing compact fluorescent and high intensity discharge lamps. Fascia Forms are graceful architectural accents in the daytime and serve as elegant markers at night. White glass or white acrylic lenses diffuse light to produce a soft luminous glow. These luminaires are suitable for outdoor applications and feature rugged diecast housings, silicone seals and gaskets, and polyester powdercoat finishes.



PREFIX	LENS	WATTAGE	VOLTAGE	GUARDS	COLOR GELS	FINISH	OPTIONS

Enter the order code into the appropriate box above. Note: Philips Gardco reserves the right to refuse a configuration. Not all combinations and configurations are valid. Refer to notes below for exclusions and limitations. For questions or concerns, please consult the factory.

PREFIX

500 Fascia Forms

LENS

W White Glass
D DR Acrylic
Available with fluorescent or 50w HID only.

WATTAGE

50MH¹ **50HPS**^{1,2} **26QF**³ **INC**^{1,2}
70MH^{1,4} **70HPS**^{1,2,4} **32TRF**³ **100w maximum**
42TRF³

MH Metal Halide
(All MH 150 watts and below are Pulse Start by design.)
HPS High Pressure Sodium
QF Quad Tube Compact Fluorescent
TRF Triple Tube Compact Fluorescent
INC Incandescent

- Coated lamps recommended
- 120V only
- 26QF, 32TRF and 42TRF types feature an electronic fluorescent ballast that accepts 120V through 277V, 50hz or 60hz input. Specify "UNIV" for 120V through 277V. 0°F starting temperature.
- Wall mount units only.

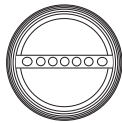
VOLTAGE

UNIV 120V though 277V, 50hz to 60Hz, input. Fluorescent luminaires only.
120
277
347 Consult factory for 347V prior to ordering.

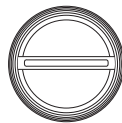
GUARDS



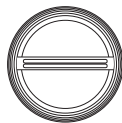
NG
No Guard



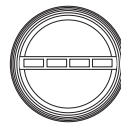
G1
Multi-Circle Cross



G2
Single-slot Cross



G3
Twin-slot Cross



G4
Multi-slot Cross



G5
Single-slot Crisscross

COLORED GELS

XX No Color	BL Light Blue
RD Red	PL Pearl
FP Fluorescent Pink	GD Dark Green
BD Dark Blue	MR Mirror
YM Yellow	SL Light Smoke
AM Amber	BR Bronze

FINISH

BRP Bronze Paint
BLP Black Paint
WP White Paint
NP Natural Aluminum Paint
BGP Beige Paint
OC Optional Color Paint Specify RAL designation ex: OC-RAL7024.
SC Special Color Paint Specify. Must supply color chip.

OPTIONS

F Fusing
UH Dark Sky Uplight Hood
Painted to match housing standard. For two-tone option, specify hood color. example: UH-WP.

1611 Clovis Barker Road, San Marcos, TX 78666
(800) 227-0758 (512) 753-1000 FAX: (512) 753-7855 sitelighting.com

© 2011 Koninklijke Philips Electronics N.V. All Rights Reserved.

Philips Gardco reserves the right to change materials or modify the design of its product without notification as part of the company's continuing product improvement program.

79115-94/0311

PHILIPS



SPECIFICATIONS

GENERAL: Philips Gardco Fascia Forms wall mounted, outdoor luminaires utilize compact fluorescent and high intensity discharge lamps. Housing and mounting plate are diecast aluminum. White glass and DR acrylic lenses diffuse light to produce a soft luminous glow.

HOUSINGS: Single-piece diecast aluminum housings feature integral trim rings. Housing is secured to mounting plate with (3) stainless steel allen head fasteners. Memory retentive gasket seals housing to mounting plate to exclude moisture, dust, insects, and pollutants.

MOUNTING PLATE: Single piece diecast aluminum mounting plate is mounted over recessed j-box (by others) in wall or canopy. All electrical components are factory mounted to plate.

REFLECTOR: Spun high reflectance white reflector increases luminaire efficiency and provides even and striation free luminance on the face of the diffuser.

LENS: White glass or DR acrylic diffusers are mechanically secured to housing. One-piece solid silicone gasket is used to thoroughly seal lens to housing.

ELECTRICAL: All HID luminaires utilize magnetic ballasts that are high power factor and designed for reliable lamp starting to -20°F. Pulse rated sockets are glazed porcelain with nickel plated screw shells.

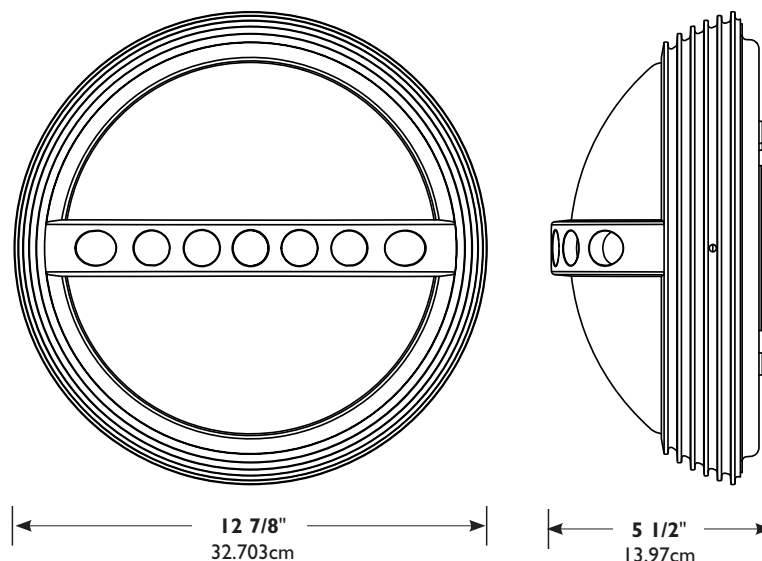
All fluorescent luminaires utilize electronic ballasts that are high power factor and designed for reliable lamp starting to 0°F. Smart fluorescent ballasts accept 26W, 32W and 42W in all voltages from 120 to 277, 50/60HZ. 347V also available. Sockets are high temperature PBT with brass contacts.

FINISH: Each luminaire receives a fade and abrasion resistant electrostatically applied, thermally cured, (TGIC) polyester powdercoat finish.

LABELS: All luminaires bear UL or CUL (where applicable) Wet Location labels.

WARRANTY: Philips Gardco luminaires feature a 5 year limited warranty. See Warranty Information on www.sitelighting.com for complete details and exclusions. Polycarbonate lenses carry a 1 year warranty only.

DIMENSIONS



1611 Clovis Barker Road, San Marcos, TX 78666
(800) 227-0758 (512) 753-1000 FAX: (512) 753-7855 [sitelighting.com](http://www.sitelighting.com)

© 2011 Koninklijke Philips Electronics N.V. All Rights Reserved.

Philips Gardco reserves the right to change materials or modify the design of its product without notification as part of the company's continuing product improvement program.

79115-94/0311

PHILIPS

