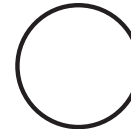


Job:
 Type:
 Notes:

Poles

Straight Round Steel

The Philips Gardco SRS straight round steel pole consists of a one-section design fabricated steel tubing circumferentially welded to a structural quality hot rolled carbon steel plate. The poles are finished with an electrostatically applied, thermally cured TGIC polyester powdercoat. All poles include anchor bolts, full base cover, hand hole, ground lug and top cap.



PREFIX	HEIGHT	SIZE	DRILLING	FINISH	OPTIONS

Enter the order code into the appropriate box above. Note: Gardco reserves the right to refuse a configuration. Not all combinations and configurations are valid. Refer to notes below for exclusions and limitations. For questions or concerns, please consult the factory.

PREFIX	HEIGHT	SIZE	DRILLING
SRS	10'	3"	D1 1 Way
	14'	4"	D2 2 Way
	16'	5"	D2@90 2 Way at 90°
	20'		D3 3 Way
	25', 25H'		D3@120 3 Way at 120°
	30', 30H'		D4 4 Way
			T2 2 3/8" OD Tenon
			T4 4" OD Tenon

*1. Refers to relative strength based on wind load factors.
H = Heavy.*

FINISH	
PP	Prime Painted
BRP	Bronze Paint
BLP	Black Paint
WP	White Paint
NP	Natural Aluminum Paint
GV	Galvanized (No Paint)
FPGV	Finished Paint over Galvanized (specify color)
OC	Optional Color Paint Specify RAL designation ex: OC-RAL7024.
SC	Special Color Paint Specify. Must supply color chip.

OPTIONS	
FES	Festoon Outlet
AHH	Additional Hand Hole
Couplings <i>Indicate size (1/2", 3/4", 1", 1 1/4", 1 1/2".) Indicate height above base and orientation to hand hole. See Pole Orientation Information on Page 4.</i>	
CL	Coupling - Internal thread
Single Mount Bullhorn Brackets <i>Indicate height above base and orientation to hand hole. See Pole Orientation Information on Page 4.</i>	
GM-080-19	Single - 1.9" OD
GM-080-24	Single - 2.4" OD
<i>For Festoon Outlets and Additional Hand Holes, indicate height above base and orientation to original hand hole. See Pole Orientation Information on Page 4.</i>	
Motion Response Provisions	
GMR	Provision for Gardco HID Motion Response System <i>Minimum Pole Height is 18'. Includes a 1/2" coupling placed 180° to the hand hole, 12' above the pole base.</i>
MSM	Motion Sensor Mounting Provision for LED Luminaires available with Motion Response <i>Minimum Pole Height is 18'. Includes a special hand hole with 1/2" coupling placed in the cover plate, 180° to the hand hole, 15' above the pole base.</i>

Refer to Steel Pole Accessories sheet 79415-26 for additional accessories.

POLE DATA

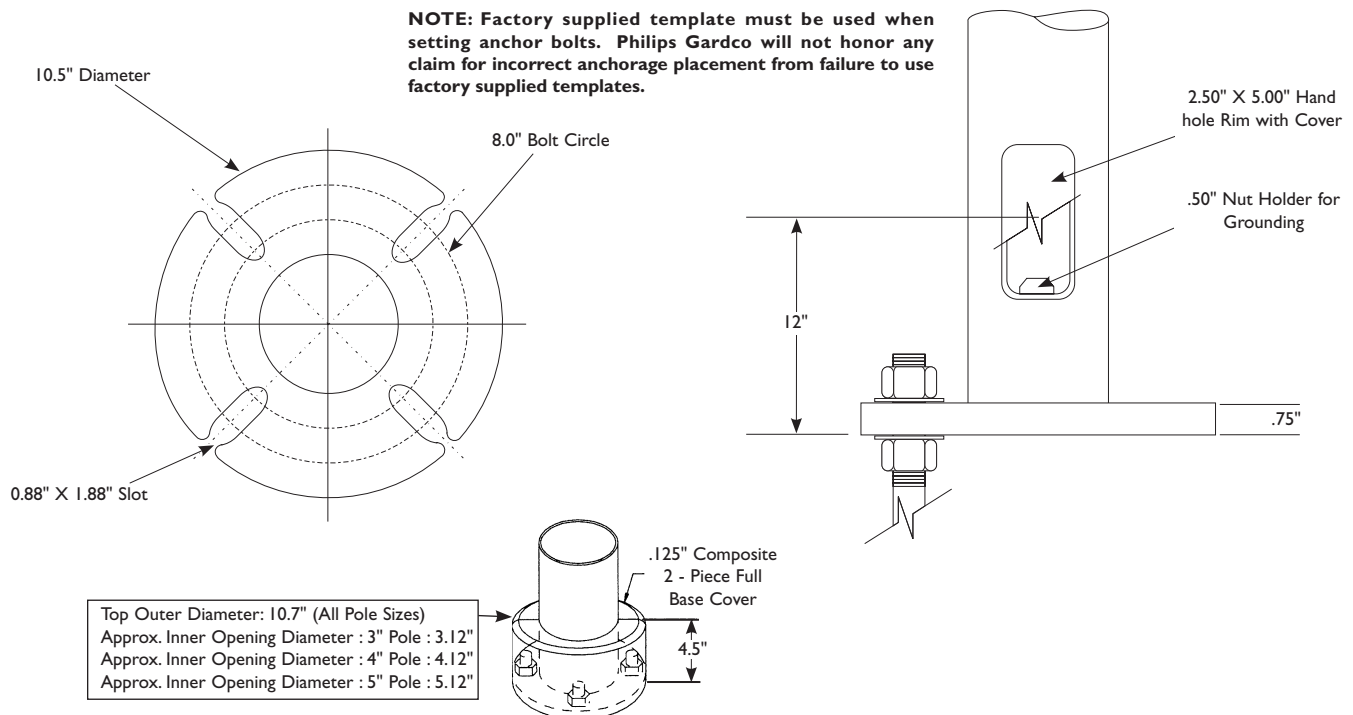
CATALOG NUMBER	POLE SIZE		MAXIMUM LUMINAIRE LOADING ³			ANCHOR BOLT DATA ⁴	
	PREFIX - HEIGHT - SIZE	ACTUAL HEIGHT	POLE SHAFT SIZE	100 MPH EPA-FT ²	90 MPH EPA-FT ²	80 MPH EPA-FT ²	BOLT SIZE (inches)
SRS-10-3.0	10'	3" x 10'	6.0	7.7	10.0	3/4 x 17 x 3	8.0
SRS-14-3.0	14'	3" x 14'	3.3	4.4	6.0	3/4 x 17 x 3	8.0
SRS-10-4.0	10'	4" x 10'	12.2	15.0	19.1	3/4 x 17 x 3	8.0
SRS-14-4.0	14'	4" x 14"	7.6	9.4	12.2	3/4 x 17 x 3	8.0
SRS-16-3.0	16'	3" x 16'	2.3	3.2	4.6	3/4 x 17 x 3	8.0
SRS-16-4.0	16'	4" x 16'	5.9	7.4	9.6	3/4 x 17 x 3	8.0
SRS-20-4.0	20'	4" x 20'	3.5	4.4	6.0	3/4 x 17 x 3	8.0
SRS-25-4.0	25'	4" x 25'	1.3	1.9	2.8	3/4 x 17 x 3	8.0
SRS-20-5.0	20'	5" x 20'	7.2	9.1	11.7	3/4 x 17 x 3	8.0
SRS-25-5.0	25'	5" x 25'	4.2	5.5	7.2	3/4 x 17 x 3	8.0
SRS-25H-5.0 ²	25'	5" x 25'	7.4	9.4	12.1	3/4 x 17 x 3	8.0
SRS-30-5.0	30'	5" x 30'	2.2	3.0	4.2	3/4 x 17 x 3	8.0
SRS-30H-5.0 ²	30'	5" x 30'	4.7	6.5	8.0	3/4 x 17 x 3	8.0

2. SRS-25H-5.0 and SRS-30H-5.0 poles feature a wall thickness of .180" for increased wind loading. All other SRS poles have a wall thickness of .120".

3. **Warning:** Additional wind loading, in terms of EPA, from banners, cameras, floodlights and other accessories attached to the pole, must be added to the luminaire(s) EPA before selecting the pole with the appropriate wind load capability.

4. Factory supplied template must be used when setting anchor bolts. Philips Gardco will not honor any claim for incorrect anchorage placement resulting from failure to use factory supplied templates.

DIMENSIONS



1611 Clovis Barker Road, San Marcos, TX 78666

(800) 227-0758 (512) 753-1000 FAX: (512) 753-7855 sitelighting.com

© 2011 Koninklijke Philips Electronics N.V. All Rights Reserved.

Philips Gardco reserves the right to change materials or modify the design of its product without notification as part of the company's continuing product improvement program.

79415-19/0611

PHILIPS



SPECIFICATIONS

POLE SHAFT: The pole shaft is a one-section cylindrical design fabricated from hot rolled welded steel tubing with a guaranteed minimum yield strength of 42,000 PSI. Pole wall thickness is .120", except SRS-25H-5.0 and SRS-30H-5.0 poles feature a wall thickness of .180" .

ANCHOR BASE: The anchor base is fabricated from structural quality hot rolled carbon steel plate conforming to ASTM A36. The base plate telescopes the pole shaft and is circumferentially welded on both top and bottom.

ANCHOR BOLTS: Anchor bolts are fabricated from a commercial quality hot rolled carbon steel bar with a guaranteed minimum yield strength of 36,000 PSI. Bolts have an "L" bend on one end and threaded on the opposite end. Anchor bolts are hot dipped galvanized a minimum length of 12" on the threaded end. Four (4) properly sized bolts, each furnished with two (2) regular hex nuts and two (2) flat washers, are provided per pole, unless otherwise specified.

BASE COVER: A two-piece base cover completely seals the entire base plate and anchorage. The base cover is secured together with two (2) fasteners.

HAND HOLE: The reinforced hand hole consists of a 2.5" x 5" rectangular tubing, steel attachment bar, steel cover and one round head zinc plated machine screw. A nut holder is welded to the hand hole and includes a .5" - 13 UNC hex head bolt and nut for grounding. The hand hole is welded in the pole shaft and located at 12" above the base of the pole.

FINISH: The standard finish for pole and accessories is an electrostatically applied, thermally cured TGIC polyester powdercoat. Prime painted poles are also available.

FASTENERS: All structural fasteners are galvanized high strength carbon steel. All other fasteners are galvanized or zinc plated carbon steel or stainless steel.

GENERAL POLE INFORMATION

DESIGN: The poles as charted are designed to withstand dead loads and predicted dynamic loads developed by variable wind speeds with an additional 30% gust factor under the following conditions:

The charted weights include luminaire(s) and/or mounting bracket(s).

The wind velocities are based on 10 mph increments from 80 mph through 100 mph. Poles to be located in areas of known abnormal conditions may require special consideration. For example: coastal areas, airports and areas of special winds.

Poles are designed for ground mounted applications. Poles mounted on structures (such as buildings and bridges) may also necessitate special consideration requiring Philips Gardco's recommendation.

Height correction factors and drag coefficients are applied to the entire structure. An appropriate safety factor is maintained based on the minimum yield strength of the material incorporated in the pole.

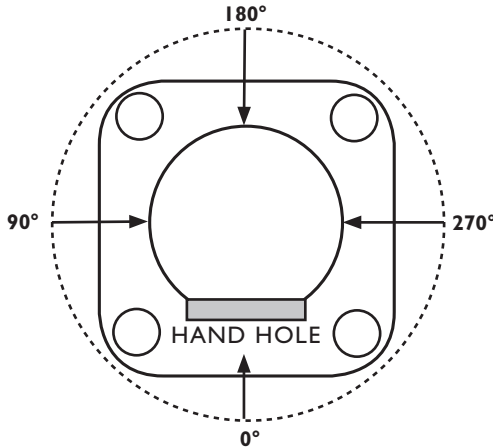
WARNING: This design information is intended as a general guideline only. The customer is solely responsible for proper selection of pole, luminaire, accessory and foundation under the given site conditions and intended usage. The addition of any items to the pole, in addition to the luminaire, will dramatically impact the EPA load on that pole. It is strongly recommended that a qualified professional be consulted to analyze the loads given the user's specific needs to ensure proper selection of the pole, luminaire, accessories, and foundation. Philips Gardco assumes no responsibility for such proper analysis or product selections. **Failure to insure proper site analysis, pole selection, loads and installation can result in pole failure, leading to serious injury or property damage.**

GENERAL INFORMATION: Mounting height is the vertical distance from the base of the lighting pole to the center of the luminaire arm at the point of luminaire attachment. Twin arms as charted are oriented at 180° with respect to each other. For applications of two (2) arms at 90° or other multiple arm applications, consult the factory.

WARRANTY: Philips Gardco poles feature a 1 year limited warranty. See Warranty Information on www.sitelighting.com for complete details and exclusions.

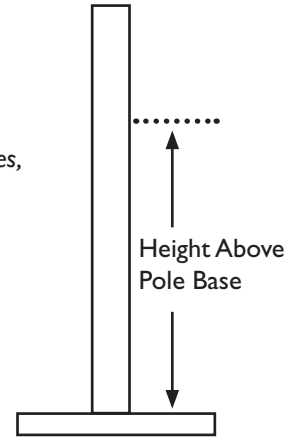
ORIENTATION INFORMATION

FACTORY INSTALLED OPTIONS AND ACCESSORIES



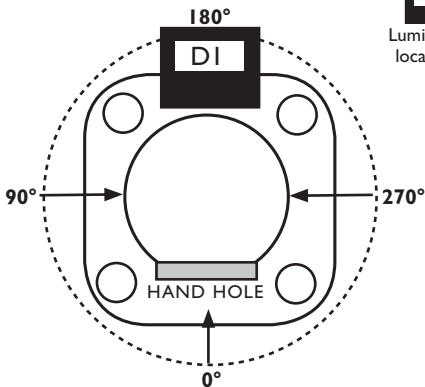
Orientation is measured clockwise from the Hand Hole Center.

For Factory Installed Options and Accessories, Specify Orientation from Hand Hole and Height Above Pole Base Where Required.

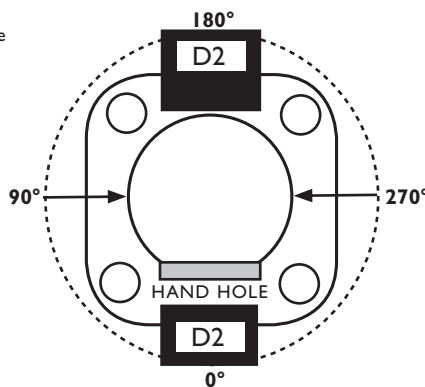


STANDARD ARM MOUNT LUMINAIRE ORIENTATION

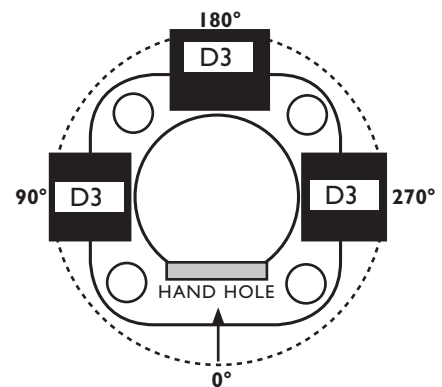
D1 Drilled for Single Luminaire



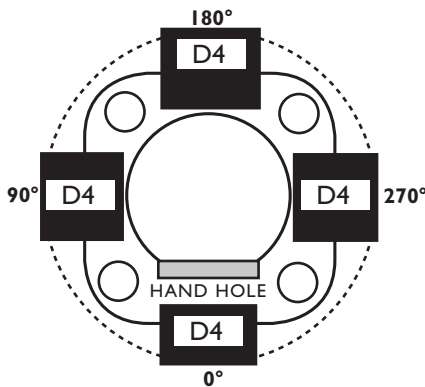
D2 Drilled for 2 Luminaires at 180°



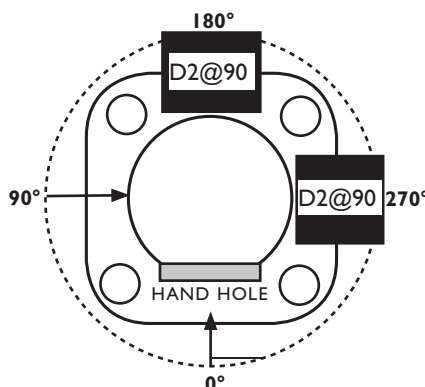
D3 Drilled for 3 Luminaires @ 90°



D4 Drilled for 4 Luminaires at 90°



D2@90 Drilled for 2 Luminaires at 90°



D3@120 Drilled for 3 Luminaires at 120°

