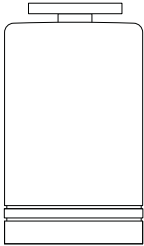


Job:  
 Type:  
 Notes:

# Cylinders

## 300 Line Open Downlight



The Philips Gardco Cylinder 300 Line is a series of compact, high performance cylinder luminaires in a variety of styles and mounting configurations. The Open Downlight style uses high intensity discharge, incandescent or fluorescent lamps. Housings are die cast aluminum with twin architectural reveals located near the luminaire apertures. A choice of two (2) light control styles and four (4) mounting options is available. Luminaires are finished with a fade and abrasion resistant polyester powder coat offered in six (6) standard colors. The 300 Line Open Downlight provides full cutoff performance.

PREFIX	MODEL	MOUNTING	LENGTH <sup>1,2</sup>	TRIMS	LAMP	VOLTAGE	FINISH	OPTIONS

Enter the order code into the appropriate box above. **Omit LENGTH with W or C mounting.** Note: Philips Gardco reserves the right to refuse a configuration. Not all combinations and configurations are valid. Refer to notes below for exclusions and limitations. For questions or concerns, please consult the factory.

PREFIX	MODEL	MOUNTING	TRIMS
<b>300</b>	<b>O</b> Open Downlight	<b>A<sup>1</sup></b> Arm Mount to Pole (2" x 5" arm) <b>C</b> Ceiling <b>P<sup>2</sup></b> Pendant <b>W</b> Wall	<b>R</b> Reflector <b>B</b> Black Baffle (Not Available in Fluorescent) <i>Luminaires cannot be field modified to change optics or lamp types.</i>

1. Indicate Arm Length, ex. "A6" is for a 6" arm length. Available in 6" incremental lengths from 6" minimum up to 48" maximum. Maximum arm length is 48". Standard length is 6", and will be provided if no length is indicated. If not mounted to top of pole, an additional handhole on pole is required to permit installation. Provide information as to size and type of pole.
2. Indicate Pendant Length, ex. "P18" is for a 18" pendant length. Stated length is the distance from the ceiling to the top of the luminaire and takes into account the mounting hardware. Available in 6" incremental lengths from 6" minimum up to 144" maximum. Maximum pendant length is 144". Standard length is 18", and will be provided if no length is indicated.

LAMP / VOLTAGE CHART	120	208	240	277	347	480
<i>E17</i>						
<b>50MH<sup>4</sup></b>	●			●	●	
<b>70MH<sup>4</sup></b>	●	●	●	●	●	
<b>100MH<sup>4</sup></b>	●	●	●	●	●	●
<b>50HPS</b>	●			●	●	
<b>70HPS</b>	●	●	●	●	●	
<b>100HPS</b>	●	●	●	●	●	
<i>PAR38</i>						
<b>P70MH<sup>3</sup></b>	●	●	●	●	●	
<b>P100MH<sup>3</sup></b>	●	●	●	●	●	●
<i>Fluorescent</i> (Type "R" Trim only)						
<b>26QF<sup>5</sup></b>		UNIV			●	
<b>32TRF<sup>5</sup></b>		UNIV			●	
<b>42TRF<sup>5</sup></b>		UNIV			●	
<i>Incandescent</i>						
<b>250PAR38<sup>3</sup></b>	●					
<b>300R40<sup>3</sup></b>	●					

FINISH	OPTIONS
<b>BRP</b> Bronze Paint	<b>F</b> Fusing
<b>BLP</b> Black Paint	<b>PCB</b> Button Type Photocontrol (W mount only)
<b>WP</b> White Paint	<b>WS</b> Wall Mounted Box for Surface Conduit (W mount only)
<b>NP</b> Natural Aluminum Paint	
<b>BGP</b> Beige Paint	
<b>VP</b> Verde Green Paint	
<b>OC</b> Optional Color Paint <i>Specify RAL designation ex: OC-RAL7024.</i>	
<b>SC</b> Special Color Paint <i>Specify. Must supply color chip.</i>	

Luminaires cannot be field modified to change optics or lamp types.

- MH - Metal Halide (Pulse Start)
- HPS - High Pressure Sodium
- QF - Quad Fluorescent
- TRF - Triple Tube Fluorescent

3. Not available with reflector (R) trim.
4. Requires open fixture rated E-17 Metal Halide lamps.
5. Fluorescent luminaires feature electronic ballasts that accept 120V through 277V, 50hz to 60hz, input. Specify "UNIV" voltage for 120V through 277V.

1611 Clovis Barker Road, San Marcos, TX 78666  
 (800) 227-0758 (512) 753-1000 FAX: (512) 753-7855 [sitelighting.com](http://sitelighting.com)

© 2012 Koninklijke Philips Electronics N.V. All Rights Reserved.  
 Philips Gardco reserves the right to change materials or modify the design of its product without notification as part of the company's continuing product improvement program.



### SPECIFICATIONS

**HOUSING:** Housings are die cast aluminum in a single-piece cylindrical form of corrosion resistant alloy, 1/8" min. wall thickness. Units are 7.5" in diameter and 12" in height, nominal measurements.

#### MOUNTING:

**Arm Mount to Pole (A):** Luminaire mounts to pole with an extruded aluminum 2" x 5" arm. Available in 6" incremental lengths from 6" minimum up to 48" maximum. Maximum arm length is 48". Standard length is 6", and will be provided if no length is indicated. If not mounted to top of pole, an additional handhole on pole is required to permit installation. Provide information as to size and type of pole.

**Ceiling (C):** Provides for direct ceiling mount as shown.

**Pendant Assembly (P):** Swivel pendant assembly with locking set screws. Stated length is the distance from the ceiling to the top of the luminaire and takes into account the mounting hardware. Available in 6" incremental lengths from 6" minimum up to 144" maximum. Maximum pendant length is 144". Standard length is 18", and will be provided if no length is indicated. Swivel pendant can accommodate 35° sloped ceiling maximum.

**Wall Bracket (W):** Cast aluminum canopy with integrated aluminum arm secured to housing with (2) 5/16" bolts. Requires mounting to a structural member of the building.

#### LIGHT CONTROL (Trim):

**Reflector (R):** Reflectors are composed of spun Alzak® components, electro-polished, anodized and sealed. Reflectors for compact fluorescent lamps feature a dual stage construction.

**Baffle (B):** Step black baffles are die cast aluminum and finished with black TGIC powdercoat

**ELECTRICAL:** Internal ballast will be provided based on the specified lamp configuration. Standard fluorescent ballasts are solid state. Fluorescent units have a starting temperature of 0°F (-18°C).

**LAMPHOLDER:** Pulse rated medium base lampholders are glazed porcelain with nickel-plated screw shell. Fluorescent lampholders are high temperature thermoplastic (PBT) with brass alloy contacts.

**FINISH:** Each luminaire receives a fade and abrasion resistant, electrostatically applied, thermally cured, textured TGIC polyester powder coat finish.

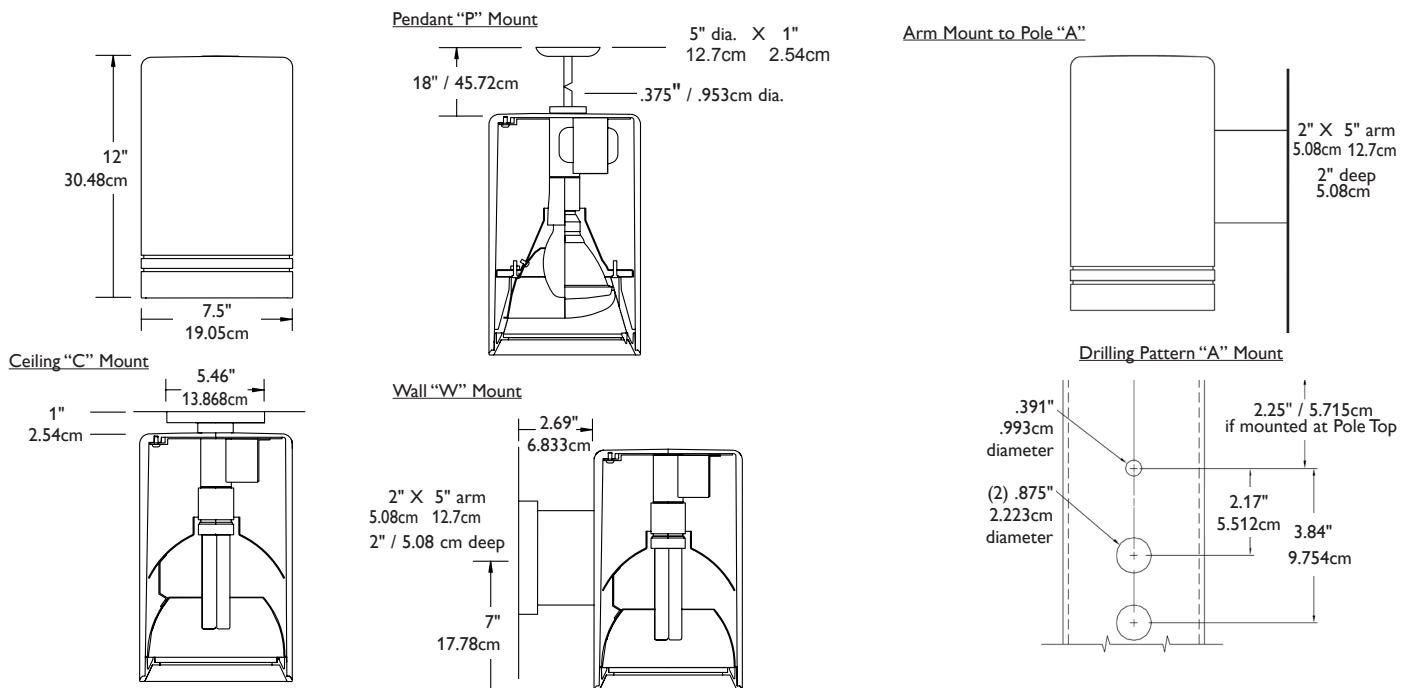
**LABELS:** All luminaires bear UL or CUL (where applicable) Wet Location labels.

**WARRANTY:** Philips Gardco luminaires feature a 5 year limited warranty. See Warranty Information on [www.sitelighting.com](http://www.sitelighting.com) for complete details and exclusions. Polycarbonate lenses carry a 1 year warranty only.

**FULL CUTOFF PERFORMANCE:** Full cutoff performance means a luminaire distribution where zero candela intensity occurs at an angle of 90° above nadir. Additionally, the candela per 1000 lamp lumens does not numerically exceed 100 (10 percent) at a vertical angle of 80° above nadir. This applies to all lateral angles around the luminaire.

**CUTOFF PERFORMANCE:** Cutoff performance means a luminaire distribution where the candela per 1000 lamp lumens does not numerically exceed 25 (2.5 percent) at an angle at or above 90° above nadir, and 100 (10 percent) at a vertical angle of 80° above nadir. This applies to all lateral angles around the luminaire.

### DIMENSIONS



1611 Clovis Barker Road, San Marcos, TX 78666  
 (800) 227-0758 (512) 753-1000 FAX: (512) 753-7855 [sitelighting.com](http://www.sitelighting.com)

© 2012 Koninklijke Philips Electronics N.V. All Rights Reserved.

Philips Gardco reserves the right to change materials or modify the design of its product without notification as part of the company's continuing product improvement program.

79115-105/0112

**PHILIPS**

**GARDCO**