

Job:  
Type:  
Notes:

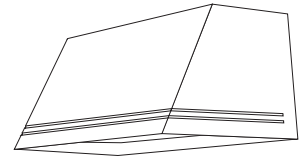
# 100 Line

Featuring CosmoPolis Electronic HID System

Page 1 of 3

## 101 Performance Sconce

The Philips Gardco 101 Trapezoidal Wedge high performance sconce luminaires are designed to integrate naturally to wall surfaces. The 101 luminaires are available with three (3) different distribution patterns. Each luminaire is designed to accept HID sources up to 175MH, and Compact Fluorescent up to (2) 42W. Housings are sealed throughout, completely excluding moisture, dust, insects and contaminants.



101 luminaires installed in the normal downlight position and with a flat glass lens, provide full cutoff performance.

PREFIX	DISTRIBUTION	WATTAGE	VOLTAGE	FINISH	OPTIONS

Enter the order code into the appropriate box above. Note: Philips Gardco reserves the right to refuse a configuration. Not all combinations and configurations are valid. Refer to notes below for exclusions and limitations. For questions or concerns, please consult the factory.

### PREFIX

- 101** Trapezoidal Wedge (Standard Luminaire)
- 101EM** Emergency Sconce
- 101EMC** Emergency Sconce, Cold Temperature
- 101EMR** Remote Emergency Sconce

Refer to configuration chart below for available combinations.

### DISTRIBUTION

- FT** Forward Throw *Not Available with Fluorescent or LPS sources.*
- WT** Wide Throw *Not Available with Fluorescent or LPS sources.*
- MT** Medium Throw

### WATTAGE AND VOLTAGE

LAMP / VOLTAGE CHART - 101

HID*	Voltage					
	120	208	240	277	347	480
<b>60CMPE</b>	•	200 - 277				
<b>50MH</b>	•			•		
<b>70MH</b>	•	•	•	•	•	
<b>100MH</b>	•	•	•	•	•	•
<b>150MH</b>	•	•	•	•	•	•
<b>175MH**</b>	•	•	•	•	•	•
<b>50CMHE<sup>1</sup></b>	UNIV					
<b>70CMHE<sup>1</sup></b>	UNIV					
<b>100CMHE<sup>1</sup></b>	UNIV					
<b>35HPS</b>	•					
<b>50HPS</b>	•			•		
<b>70HPS</b>	•	•	•	•	•	•
<b>100HPS</b>	•	•	•	•	•	•
<b>150HPS</b>	•	•	•	•	•	•
<b>18LPS</b>	•			•		
<b>Fluorescent</b>						
<b>26QF<sup>1</sup></b>	UNIV			•		
<b>226QF<sup>1</sup></b>	UNIV			•		
<b>32TRF<sup>1</sup></b>	UNIV			•		
<b>232TRF<sup>1</sup></b>	UNIV			•		
<b>42TRF<sup>1</sup></b>	UNIV			•		
<b>242TRF<sup>1</sup></b>	UNIV			•		

Combinations marked with a dot, shown with "UNIV" or "200-277" are available for ordering.

60CMPE

60 Watt CosmoPolis high performance electronic ceramic MH lamp and ballast system.

Available in FT, WT and MT

Available 120V or 200V - 277V only.

\* MH, CMHE and HPS types require medium based E17 lamps. All MH 150W and below are pulse start by design, including CMHE types.

\*\* 175MH not available for sale in the United States.

MH - Metal Halide  
CMHE - Ceramic Metal Halide with Electronic Ballast  
HPS - High Pressure Sodium  
LPS - Low Pressure Sodium  
TRF - Triple Tube Fluorescent  
QF - Quad Fluorescent

CONFIGURATION CHART - 101EM OR 101EMC<sup>5</sup>

Fluorescent	Distribution			Voltage					
	FT	WT	MT	120	208	240	277	347	480
<b>226QF<sup>2</sup></b>			•	•			•		
<b>32TRF</b>			•	•			•		
<b>42TRF</b>			•	•			•		

CONFIGURATION CHART - 101EMR<sup>5</sup>

Fluorescent	Distribution			Voltage					
	FT	WT	MT	120	208	240	277	347	480
<b>226QF<sup>2,3,4</sup></b>			•	•			•		
<b>32TRF</b>			•	•			•		
<b>232TRF<sup>2,3,4</sup></b>			•	•			•		
<b>42TRF</b>			•	•			•		
<b>242TRF<sup>2,4</sup></b>			•	•			•		

1. Fluorescent and CMHE luminaires feature electronic ballasts that accept 120V through 277V, 50hz to 60hz, input. Specify "UNIV" voltage for 120V through 277V.
2. One (1) lamp is powered in emergency mode with EM, EMC and EMR types with the B84CG option.
3. Available with ICE420 option, which powers two (2) lamps in emergency mode. ICE420 option only available with 226QF or 232TRF. CAUTION: Maximum battery pack input power for EMR units with ICE420 option is 100 watts (.83 amps) when heating element is on. This is in addition to the normal input power for luminaire lamps and ballast.
4. Available with I162 option, which powers two (2) lamps in emergency mode. Lamps are wired in parallel. In emergency mode, should one lamp become inoperable, the remaining lamp will operate with a minimum total initial output of 2,250 lumens.
5. Refer to "101 Emergency Sconce Table" on page 3 for additional information.

1611 Clovis Barker Road, San Marcos, TX 78666  
(800) 227-0758 (512) 753-1000 FAX: (512) 753-7855 [sitelighting.com](http://sitelighting.com)

© 2012 Koninklijke Philips Electronics N.V. All Rights Reserved.

Philips Gardco reserves the right to change materials or modify the design of its product without notification as part of the company's continuing product improvement program.

79115-124/0512

**PHILIPS**



### FINISH

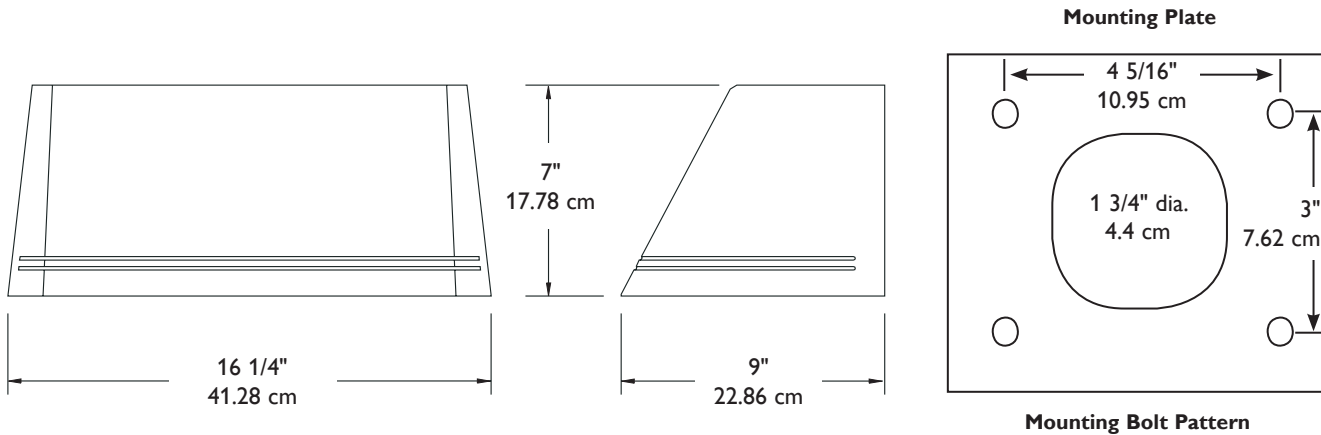
<b>BRP</b>	Bronze Paint
<b>BLP</b>	Black Paint
<b>WP</b>	White Paint
<b>NP</b>	Natural Aluminum Paint
<b>BGP</b>	Beige Paint
<b>OC</b>	Optional Color Paint Specify Optional Color or RAL ex: OC-LGP or OC-RAL7024.
<b>SC</b>	Special Paint Specify. Must supply color chip.

### OPTIONS

<b>F<sup>6</sup></b>	Fusing
<b>PCB<sup>7</sup></b>	Button Type Photocontrol
<b>QS<sup>8</sup></b>	Quartz Standby
<b>QST<sup>8</sup></b>	Quartz Standby - Timed Delay
<b>Q924<sup>9</sup></b>	Quartz Emergency
<b>QT924<sup>9</sup></b>	Quartz Emergency - Timed Delay
<b>Q12V<sup>9,20</sup></b>	Quartz 12V Emergency
<b>Q20MR<sup>10,20</sup></b>	(2)MR16 12V Emergency - 20 Watt
<b>Q35MR<sup>10,20</sup></b>	(2)MR16 12V Emergency - 35 Watt
<b>ELED<sup>19,20</sup></b>	(2)LED 12V Emergency Modules - 6.2 Watt
<b>SL</b>	Solite <sup>®</sup> Diffusing Lens
<b>UT</b>	5° Uptilt
<b>WLU<sup>11</sup></b>	Wet Location Door for Inverted Mount
<b>WS<sup>12</sup></b>	Wall Mounted Box for Surface Conduit
<b>WS/UT<sup>12</sup></b>	WS Option w/5° Uptilt
<b>WG<sup>13</sup></b>	Wire Guard
<b>POLY<sup>13,14</sup></b>	Polycarbonate Sag Lens
<b>L6<sup>18</sup></b>	Lumistep <sup>™</sup> Ballast - 6 hour
<b>L8<sup>18</sup></b>	Lumistep <sup>™</sup> Ballast - 8 hour
<b>L10<sup>18</sup></b>	Lumistep <sup>™</sup> Ballast - 10 hour
<b>EMR LUMINAIRES ONLY<sup>15</sup></b>	
<b>B84CG</b>	Bodine Remote Emergency Pack
<b>ICE420<sup>16</sup></b>	IOTA Remote Emergency Battery Pack 226QF / 232TRF only.
<b>1162<sup>17</sup></b>	IOTA Remote Emergency Battery Pack 226QF / 232TRF / 242TRF only.

6. 120V through 277V only.
7. Not available with 480V.
8. HID only, Not available with CMHE Ballasts, FT Optics or in 480V. 100 watt Quartz maximum.
9. WT Optic only. 150w HID maximum, 100w Quartz maximum.
10. WT Optic only. 50CMHE or 70CMHE only. Supplied with two (2) 20W MR16 or two (2) 35W MR16 Flood (40° beam) lamps.
11. Not available with WG or POLY options. Not available with EM, EMC or EMR types.
12. Rear entry permitted.
13. Not Available with WLU option.
14. 100 watt HID maximum. Polycarbonate lenses carry a 1 year warranty only.
15. All Emergency Battery Packs for EMR types MUST be ordered with luminaires and supplied by Philips Gardco.
16. CAUTION: Maximum battery pack input power for EMR units with ICE420 option is 100 watts (.83 amps) when heating element is on. This is in addition to the normal input power for luminaire lamps and ballast.
17. Lamps are wired in parallel. In emergency mode, should one lamp become inoperable, the remaining lamp will operate with a minimum total initial output of 2,250 lumens.
18. Available with CosmoPolis<sup>™</sup> system only. See submittal sheet GE200-005 for complete information on LumiStep<sup>™</sup> ballasts.
19. WT Optic only. 50CMHE or 70CMHE only. Supplied with two (2) 6.2 watt, 300 lumen LED modules.
20. Requires a separate source of 12V power by others.

### DIMENSIONS



Note: Mounting plate center is located in the center of the luminaire width and 3.5" (8.89cm) above the luminaire bottom (lens down position). Splices must be made in the J-box (by others). Mounting plate must be secured by max. 5/16" (.79cm) diameter bolts (by others) structurally to the wall.

### SPECIFICATIONS

**GENERAL:** Each Philips Gardco 101 luminaire is a wall mounted cutoff luminaire for high intensity discharge or compact fluorescent lamps. Internal components are totally enclosed in a rain-tight, dust-tight and corrosion resistant housing. The housing, back plate and door frame are die cast aluminum. A choice of three (3) optical systems is available. Luminaires are suitable for wet locations (damp locations if inverted).

**HOUSING:** Housings are die cast aluminum. A memory retentive gasket seals the housing to the door frame to exclude moisture, dust, insects and pollutants from the optical system. A black, die cast ribbed backplate dissipates heat for longer lamp and ballast life.

**DOOR FRAME:** A single-piece die cast aluminum door frame integrates to the housing form. The door frame is hinged closed and secured to the housing with two (2) captive stainless steel fasteners. The heat and impact resistant 1/8 (.32cm) tempered glass lens and one-piece gasket are mechanically secured to the door frame with four (4) galvanized steel retainers.

**OPTICAL SYSTEMS:** Reflectors are composed of specular extruded and faceted components, electropolished, anodized and sealed. Reflector segments are set in arc tube image duplicating patterns to achieve the wide throw, forward throw or medium throw downlight distributions.

**ELECTRICAL:**

**STANDARD LUMINAIRES:** Each high power factor HID core and coil ballast is the separate component type. For luminaires provided with CosmoPolis™, each high power factor ballast is electronic, designed specifically for the CosmoPolis™ high performance ceramic metal halide electronic system. All HID ballasts are capable of providing reliable lamp starting down to -20°F/-29°C. Standard fluorescent units have a starting temperature of 0°F/-18°C. Standard fluorescent ballasts are high power factor electronic solid state. Component-to-component wiring within the luminaire will carry no more than 80% of rated current and is listed by UL for use at 600 VAC at 150°C or higher. Plug disconnects are listed by UL for use at 600 VAC, 15A or higher.

**LUMINAIRES FOR USE OUTSIDE NORTH AMERICA:** Philips Gardco has capability to provide luminaires meeting requirements world wide. Consult the factory for specifications for projects outside North America.

**LUMINAIRES with Q924 / G12V / QMR20 / QMR35 / ELED OPTIONS:** Luminaires with the Q924 option require a separate source of 120V power (by others.) Luminaires with Q12V, Q20MR, Q35MR or ELED options require a separate source of 12V power (by others.)

**EMERGENCY LUMINAIRES:** All emergency luminaires feature an indicator light visible through the lens and a test switch accessible through the door assembly. Minimum battery pack ambient temperatures are as indicated in the 101 Emergency Sconce Table. In the event of a power interruption, emergency luminaires will power compact fluorescent lamps as indicated in the 101 Emergency Sconce Table at reduced light levels for a minimum of 90 minutes.

**EMR LUMINAIRES** include a 7.5"/2.29m, 12 wire, quick disconnect assembly for wiring through conduit (by others) to a B84CG, I162 or ICE420 fluorescent emergency battery pack. *The fluorescent emergency battery pack MUST be supplied by Philips Gardco. The B84CG option, the I162 option or the ICE420 option is required on the order to the factory.*

**CAUTION:** Maximum battery pack input power for EMR units with ICE420 option is 100 watts (.83 amps) when heating element is on. This is in addition to the normal input power for luminaire lamps and ballast.

101 Emergency Luminaire	Battery Pack Min. Ambient Temperature	Lamps Powered in Emergency Mode
101EM (Integral)	32°F / 0°C	(1) 26, (1) 32, or (1) 42 Watt Compact Fluorescent Lamp
101EMC (Integral)	-4°F / -20°C	
101EMR (Remote) with B84CG Option	32° F/ 0°C	
101EMR (Remote) with I162 Option <sup>22</sup>	32° F/ 0°C	(2) 26, (2) 32 or (2) 42 Watt Compact Fluorescent Lamps
101EMR (Remote) with ICE420 Option <sup>23</sup>	0°F / -18°C	(2) 26, or (2) 32 Watt Compact Fluorescent Lamps

Notes:

- 21. See Philips Gardco Emergency Light Output Information (79115-155) for emergency lumen output data.
- 22. Lamps are wired in parallel. In emergency mode, should one lamp become inoperable, the remaining lamp will operate with a minimum total initial output of 2,250 lumens.
- 23. CAUTION: Maximum battery pack input power for EMR units with ICE420 option is 100 watts (.83 amps) when heating element is on. This is in addition to the normal input power for luminaire lamps and ballast .

**LAMPHOLDER:** Pulse rated medium base sockets are glazed porcelain with nickel plated screw shell. Fluorescent sockets are high temperature (PBT) with brass contacts.

**FINISH:** Each standard color luminaire receives a fade and abrasion resistant, electrostatically applied, thermally cured, triglycidal isocyanurate (TGIC) textured polyester powdercoat finish. Standard colors are as listed. Consult factory for specs on custom colors.

**LABELS:** All luminaires bear UL or CUL (where applicable) labels, except as noted. Lens down application is Wet Location and lens up is Damp Location. Emergency luminaires do not bear CUL label.

**WARRANTY:** Philips Gardco luminaires feature a 5 year limited warranty. See Warranty Information on [sitelighting.com](http://sitelighting.com) for complete details and exclusions. Polycarbonate lenses carry a 1 year warranty only.

**FULL CUTOFF PERFORMANCE:** Full cutoff performance means a luminaire distribution where zero candela intensity occurs at an angle at or above 90° above nadir . Additionally, the candela per 1000 lamp lumens does not numerically exceed 100 (10 percent) at a vertical angle of 80° above nadir. This applies to all lateral angles around the luminaire.

**CUTOFF PERFORMANCE:** Cutoff performance means a luminaire distribution where the candela per 1000 lamp lumens does not numerically exceed 25 (2.5 percent) at an angle at or above 90° above nadir, and 100 (10 percent) at a vertical angle of 80° above nadir. This applies to all lateral angles around the luminaire.