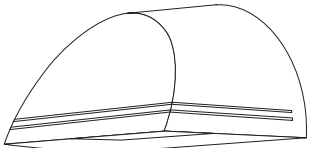


Job:
 Type:
 Notes:

100 Line

102 Performance Sconce

The Philips Gardco 102 Rounded Wedge high performance sconce offers an excellent alternative to unsightly wall mounted fixtures. These architecturally refined luminaires are designed to integrate naturally to wall surfaces. 102 luminaires are available with three (3) different distribution patterns - a wide throw, a medium throw and a forward throw. Each luminaire is designed to accept HID sources up to 175MH, and Compact Fluorescent sources up to 42 watt. Housings are sealed throughout, completely excluding moisture, dust, insects and contaminants.



102 luminaires installed in the normal downlight position, with a flat glass lens, provide full cutoff performance.

PREFIX	DISTRIBUTION	WATTAGE	VOLTAGE	FINISH	OPTIONS

Enter the order code into the appropriate box above. Note: Philips Gardco reserves the right to refuse a configuration. Not all combinations and configurations are valid. Refer to notes below for exclusions and limitations. For questions or concerns, please consult the factory.

PREFIX

- 102** Trapezoidal Wedge (Standard Luminaire)
- 102EM** Emergency Sconce
- 102EMR** Remote Emergency Sconce

DISTRIBUTION

- FT** Forward Throw *Not Available with Fluorescent or LPS sources.*
- WT** Wide Throw *Not Available with Fluorescent or LPS sources.*
- MT** Medium Throw

Refer to configuration chart below for available combinations.

WATTAGE AND VOLTAGE

LAMP / VOLTAGE CHART - 102

HID*	Voltage					
	120	208	240	277	347	480
50MH	•			•		
70MH	•	•	•	•	•	
100MH	•	•	•	•	•	•
150MH	•	•	•	•	•	•
175MH**	•	•	•	•	•	•
50CMHE ¹	UNIV					
70CMHE ¹	UNIV					
100CMHE ¹	UNIV					
35HPS	•					
50HPS	•			•		
70HPS	•	•	•	•	•	•
100HPS	•	•	•	•	•	•
150HPS	•	•	•	•	•	•
Fluorescent						
26QF ¹	UNIV					
226QF ¹	UNIV					
32TRF ¹	UNIV					
42TRF ¹	UNIV					

* MH, CMHE and HPS types require medium based E17 lamps. All MH 150W and below are pulse start by design, including CMHE types.

** 175MH not available for sale in the United States.

MH - Metal Halide
 CMHE - Ceramic Metal Halide with Electronic Ballast
 HPS - High Pressure Sodium
 TRF - Triple Tube Fluorescent
 QF - Quad Fluorescent

Combinations marked with a dot, or shown with "UNIV" are available for ordering.

CONFIGURATION CHART - 102EM⁵

Fluorescent	Distribution			Voltage					
	FT	WT	MT	120	208	240	277	347	480
226QF ²			•	•			•		
32TRF			•	•			•		
42TRF			•	•			•		

CONFIGURATION CHART - 101EMR⁵

Fluorescent	Distribution			Voltage					
	FT	WT	MT	120	208	240	277	347	480
226QF ^{2,3,4}			•	•			•		
32TRF			•	•			•		
42TRF			•	•			•		

1. Fluorescent and CMHE luminaires feature electronic ballasts that accept 120V through 277V, 50hz to 60hz, input. Specify "UNIV" voltage for 120V through 277V.
2. One (1) lamp is powered in emergency mode with EM and EMR types with the B84CG option.
3. Available with ICE420 option, which powers two (2) lamps in emergency mode. ICE420 option only available with 226QF. CAUTION: Maximum battery pack input power for EMR units with ICE420 option is 100 watts (.83 amps) when heating element is on. This is in addition to the normal input power for luminaire lamps and ballast.
4. Available with I162 option, which powers two (2) lamps in emergency mode. Lamps are wired in parallel. In emergency mode, should one lamp become inoperable, the remaining lamp will operate with a minimum total initial output of 2,250 lumens.
5. Refer to "102 Emergency Sconce Table" on page 3 for additional information.

1611 Clovis Barker Road, San Marcos, TX 78666
 (800) 227-0758 (512) 753-1000 FAX: (512) 753-7855 sitelighting.com

© 2011 Koninklijke Philips Electronics N.V. All Rights Reserved.

Philips Gardco reserves the right to change materials or modify the design of its product without notification as part of the company's continuing product improvement program.

79115-125/0911

PHILIPS



FINISH

BRP	Bronze Paint
BLP	Black Paint
WP	White Paint
NP	Natural Aluminum Paint
BGP	Beige Paint
OC	Optional Color Paint <i>Specify Optional Color or RAL ex: OC-LGP or OC-RAL7024.</i>
SC	Special Paint <i>Specify. Must supply color chip.</i>

OPTIONS

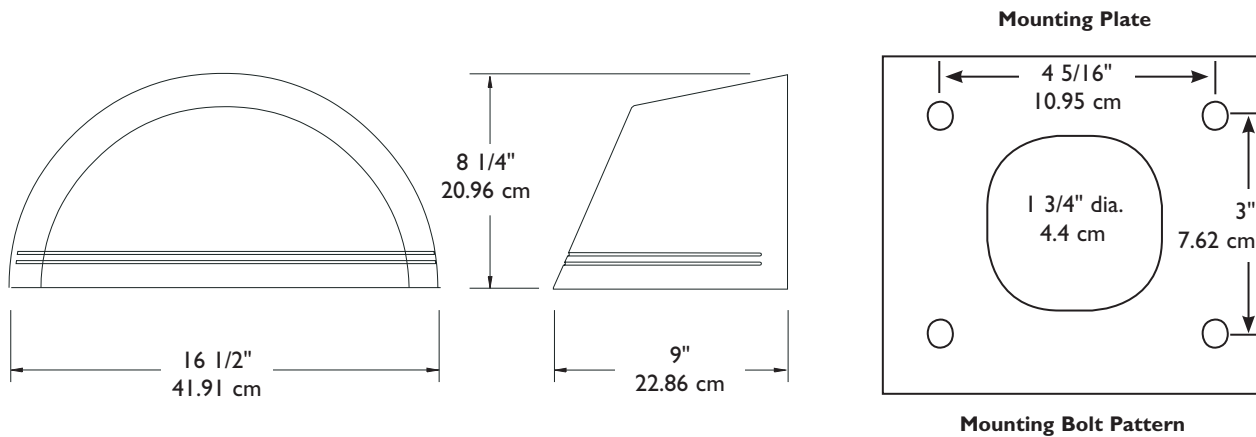
F⁶	Fusing
PCB⁷	Button Type Photocontrol
QS⁸	Quartz Standby
QST⁸	Quartz Standby - Timed Delay
Q924⁹	Quartz Emergency
QT924⁹	Quartz Emergency - Timed Delay
Q12V^{9,19}	Quartz 12V Emergency
Q20MR^{10,19}	(2)MR16 12V Emergency - 20 Watt
Q35MR^{10,19}	(2)MR16 12V Emergency - 35 Watt
ELED^{18,19}	(2)LED 12V Emergency Modules - 6.2 Watt
SL	Solite [®] Diffusing Lens
UT	5° Uptilt
WLU¹¹	Wet Location Door for Inverted Mount
WS¹²	Wall Mounted Box for Surface Conduit
WS/UT¹²	WS Option w/5° Uptilt
WG¹³	Wire Guard
POLY^{13,14}	Polycarbonate Sag Lens

6. 120V through 277V only
7. Not available with 480V.
8. HID only, Not available with CMHE Ballasts, FT Optics or in 480V. 100 watt Quartz maximum.
9. WT Optic only. 150w HID maximum, 100w Quartz maximum.
10. WT Optic only. 50CMHE or 70CMHE only. Supplied with two (2) 20W MR16 or two (2) 35W MR16 Flood (40° beam) lamps.
11. Not available with WG or POLY options. Not available with EM or EMR types.
12. Rear entry permitted.
13. Not Available with WLU option. 14. 100 watt HID maximum. Polycarbonate lenses carry a 1 year warranty only.
15. All Emergency Battery Packs for EMR types MUST be ordered with luminaires and supplied by Philips Gardco.
16. CAUTION: Maximum battery pack input power for EMR units with ICE420 option is 100 watts (.83 amps) when heating element is on. This is in addition to the normal input power for luminaire lamps and ballast.
17. Lamps are wired in parallel. In emergency mode, should one lamp become inoperable, the remaining lamp will operate with a minimum total initial output of 2,250 lumens.
18. WT Optic only. 50CMHE or 70CMHE only. Supplied with two (2) 6.2 watt, 300 lumen LED modules.
19. Requires a separate source of 12V power by others.

EMR LUMINAIRES ONLY¹⁵

B84CG	Bodine Remote Emergency Pack
ICE420¹⁶	IOTA Remote Emergency Battery Pack <i>226QF only.</i>
I162¹⁷	IOTA Remote Emergency Battery Pack <i>226QF only.</i>

DIMENSIONS



Note: Mounting plate center is located in the center of the luminaire width and 3.5" (8.89cm) above the luminaire bottom (lens down position). Splices must be made in the J-box (by others). Mounting plate must be secured by max. 5/16" (.79cm) diameter bolts (by others) structurally to the wall.

SPECIFICATIONS

GENERAL: Each Philips Gardco I02 luminaire is a wall mounted cutoff luminaire for high intensity discharge or compact fluorescent lamps. Internal components are totally enclosed in a rain-tight, dust-tight and corrosion resistant housing. The housing, back plate and door frame are diecast aluminum. A choice of three (3) optical systems is available. Luminaires are suitable for wet locations (damp locations if inverted).

HOUSING: Single-piece housings are die cast aluminum. A memory retentive gasket seals the housing with the doorframe to exclude moisture, dust, insects and pollutants from the optical system. A black, die cast ribbed backplate dissipates heat for longer lamp and ballast life.

DOOR FRAME: A single-piece die cast aluminum door frame integrates to the housing form. The door frame is hinged closed and secured to the housing with two (2) captive stainless steel fasteners. The heat and impact resistant 1/8" (.32cm) tempered glass lens and one-piece gasket are mechanically secured to the door frame with four (4) galvanized steel retainers.

OPTICAL SYSTEMS: Reflectors are composed of specular extruded and faceted components, electropolished, anodized and sealed. Reflector segments are set in arc tube image duplicating patterns to achieve the wide throw, forward throw or medium throw downlight distributions.

ELECTRICAL:

STANDARD LUMINAIRES: Each high power factor HID core and coil ballast is the separate component type, capable of providing reliable lamp starting down to -20°F/-29°C. Component-to-component wiring within the luminaire will carry no more than 80% of rated current and is listed by UL for use at 600 VAC at 302°F/150°C or higher. Plug disconnects are listed by UL for use at 600 VAC, 15A or higher.

Standard fluorescent units have a starting temperature of 0°F/-18°C. Standard fluorescent ballasts are high power factor electronic solid state.

LUMINAIRES FOR USE OUTSIDE NORTH AMERICA: Philips Gardco has capability to provide luminaires meeting requirements world wide. Consult the factory for specifications for projects outside North America.

LUMINAIRES with Q924 / G12V / QMR20 / QMR35 / ELED OPTIONS: Luminaires with the Q924 option require a separate source of 120V power (by others.) Luminaires with Q12V, Q20MR, Q35MR or ELED options require a separate source of 12V power (by others.)

EMERGENCY LUMINAIRES: All emergency luminaires feature an indicator light visible through the lens and a test switch accessible through the door assembly. Minimum battery pack ambient temperatures are as indicated in the I02 Emergency Sconce Table. In the event of a power interruption, emergency luminaires will power compact fluorescent lamps as indicated in the I02 Emergency Sconce Table at reduced light levels for a minimum of 90 minutes.

EMR LUMINAIRES include a 7.5'/2.29m, 12 wire, quick disconnect assembly for wiring through conduit (by others) to a B84CG, 1162 or ICE420 fluorescent emergency battery pack. *The fluorescent emergency battery pack MUST be supplied by Philips Gardco. The B84CG option, the 1162 option or the ICE420 option is required on the order to the factory.*

CAUTION: Maximum battery pack input power for EMR units with ICE420 option is 100 watts (.83 amps) when heating element is on. This is in addition to the normal input power for luminaire lamps and ballast.

I02 Emergency Luminaire	Battery Pack Min. Ambient Temperature	Lamps Powered in Emergency Mode
I02EM (Integral)	32°F / 0°C	(1) 26, (1) 32, or (1) 42 Watt Compact Fluorescent Lamp
I02EMR (Remote) with B84CG Option	32° F/ 0°C	
I02EMR (Remote) with 1162 Option ²¹	32° F/ 0°C	(2) 26 Watt Compact Fluorescent Lamps
I02EMR (Remote) with ICE420 Option ²²	0°F / -18°C	(2) 26 Watt Compact Fluorescent Lamps

Notes:

- 20. See Philips Gardco Emergency Light Output Information (79115-155) for emergency lumen output data.
- 21. Lamps are wired in parallel. In emergency mode, should one lamp become inoperable, the remaining lamp will operate with a minimum total initial output of 2,250 lumens.
- 22. CAUTION: Maximum battery pack input power for EMR units with ICE420 option is 100 watts (.83 amps) when heating element is on. This is in addition to the normal input power for luminaire lamps and ballast.

LAMPHOLDER: Pulse rated medium base sockets are glazed porcelain with nickel plated screw shell. Fluorescent sockets are high temperature (PBT) with brass contacts.

FINISH: Each standard color luminaire receives a fade and abrasion resistant, electrostatically applied, thermally cured, triglycidal isocyanurate (TGIC) textured polyester powdercoat finish. Standard colors are as listed. Consult factory for specs on custom colors.

LABELS: All luminaires bear UL or CUL (where applicable) labels, except as noted. Lens down application is Wet Location and lens up is Damp Location. Emergency luminaires do not bear CUL label.

WARRANTY: Philips Gardco luminaires feature a 5 year limited warranty. See Warranty Information on sitelighting.com for complete details and exclusions. Polycarbonate lenses carry a 1 year warranty only.

FULL CUTOFF PERFORMANCE: Full cutoff performance means a luminaire distribution where zero candela intensity occurs at an angle at or above 90° above nadir. Additionally, the candela per 1000 lamp lumens does not numerically exceed 100 (10 percent) at a vertical angle of 80° above nadir. This applies to all lateral angles around the luminaire.

CUTOFF PERFORMANCE: Cutoff performance means a luminaire distribution where the candela per 1000 lamp lumens does not numerically exceed 25 (2.5 percent) at an angle at or above 90° above nadir, and 100 (10 percent) at a vertical angle of 80° above nadir. This applies to all lateral angles around the luminaire.