

Job:  
 Type:  
 Notes:

# Emco

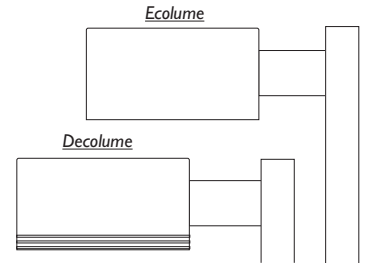
# Ecolume and Decolume

Page 1 of 3

## Arm Mount - Vertical Lamp Flat Glass Lens

The Ecolume ECA and Decolume DECA are rectilinear area luminaires. Utilizing a flat glass lens, the vertical lamp full-cutoff segmented optical systems provide required light levels, even illumination, wide pole spacings and excellent glare control. The housing is die formed and the door frame is extruded aluminum. Luminaires are completely sealed and gasketed, preventing intrusion from moisture, insects and contaminants.

Flat glass lens luminaires provide full cutoff performance.



<b>PREFIX</b>	<b>MOUNTING</b>	<b>DISTRIBUTION</b>	<b>WATTAGE</b>	<b>VOLTAGE</b>	<b>FINISH</b>	<b>OPTIONS</b>
<input type="text"/>	<input type="text"/>	<input type="text"/>	<input type="text"/>	<input type="text"/>	<input type="text"/>	<input type="text"/>

Enter the order code into the appropriate box above. Note: Gardco reserves the right to refuse a configuration. Not all combinations and configurations are valid. Refer to notes below for exclusions and limitations. For questions or concerns, please consult the factory.

### PREFIX

	<u>Ecolume</u>	<u>Decolume</u>	
Arm Mount to Pole*	<b>ECA23</b>	<b>DECA23</b>	23" Square Luminaire
<small>*Arm mounting on round poles is designed to mount to poles measuring 3.5" OD or larger only.</small>			

### MOUNTING

- 1** Single Pole Mount
- 2** Twin Pole Mount at 180°
- 2@90°** Twin Pole Mount at 90°
- 3** 3-way Pole Mount at 90°
- 3@120°** 3-way Pole Mount at 120°
- 4** 4-way Pole Mount

### DISTRIBUTION

#### Vertical Lamp

- 3VFC** Type III Vertical Lamp - Full Cutoff
- FVFC** Type IV Forward Throw Vertical Lamp - Full Cutoff
- QVFC** Type V Vertical Lamp - Full Cutoff

### WATTAGE *Featuring the MasterColor Elite Electronic HID System*

23"		
Pulse Start MH Magnetic Ballast	400PSMH <sup>ⓔ</sup> 450PSMH <sup>ⓔ</sup> 750PSMH	775PSMH 875PSMH 1000PSMH
MasterColor Elite Electronic System	210MCE-3K <sup>2</sup> <sup>ⓔ</sup> 210MCE-4K <sup>2</sup> <sup>ⓔ</sup>	315MCE-3K <sup>2</sup> <sup>ⓔ</sup> 315MCE-4K <sup>2</sup> <sup>ⓔ</sup>
Standard MH Magnetic Ballast**	400MH**	1000MH <sup>1</sup>
High Pressure Sodium Magnetic Ballast	400HPS 750HPS	1000HPS
**175MH, 250MH and 400MH not available for sale in the United States.		
*** 250PS90 includes a 90% efficient magnetic PSMH ballast, meeting the requirements of California Title 20, effective 1/1/2010.		
<sup>ⓔ</sup> Wattages marked with circle "E" meet federal energy efficiency standards applicable to 150 watt through 500 watt metal halide luminaires only.		

### OPTIONS

<b>HS<sup>3</sup></b> Internal House Side Shield	<b>QS<sup>9</sup></b> Quartz Standby
<b>F</b> Fusing	<b>QST<sup>9</sup></b> Quartz Standby - Timed Delay
<b>LF<sup>4</sup></b> In-Pole/In-Line Fusing	<b>Q924<sup>9</sup></b> Quartz Emergency
<b>PCT<sup>5</sup></b> Locking Type Photocontrol Receptacle with Photocontrol	<b>QT924<sup>9</sup></b> Quartz Emergency - Timed Delay
<b>PCR</b> Locking Type Photocontrol Receptacle	<b>GMR<sup>10</sup></b> Provision for Gardco Motion Response
<b>PCB<sup>5</sup></b> Button Photocontrol	
<b>MF<sup>6,8</sup></b> Mast Arm Fitter	
<b>PTF3</b> Pole Top Fitter 3 - 3 1/2" X 6"	
<b>PTF4</b> Pole Top Fitter 3 1/2 - 4" X 6"	
<b>AP<sup>7,8</sup></b> Adjustable Knuckle - Square Pole Mount	
<b>CR<sup>11</sup></b> Colored Reveals	

### VOLTAGE

120  
208  
240  
277  
347  
480  
**QUAD**  
120/208/240/277  
factory tied to 277V.  
  
200-277  
MCE types only.

### FINISH

**BRP** Bronze Paint  
**BLP** Black Paint  
**WP** White Paint  
**NP** Natural Aluminum Paint  
**OC** Optional Color Paint  
Specify Optional Color or RAL ex: OC-LGP or OC-RAL7024.  
**SC** Special Paint  
Specify. Must supply color chip.

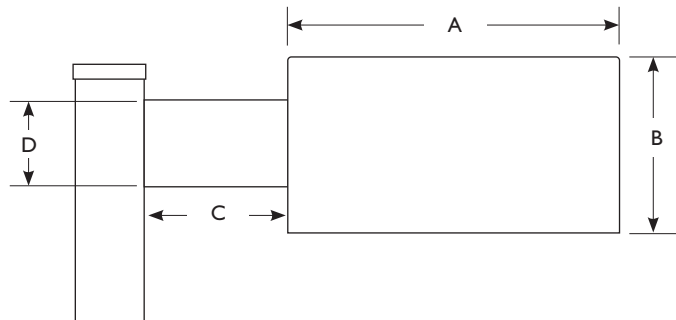
- 1000MH requires BT-37 or E-37 lamp.
- MCE types available in 120V, 200-277V, 347V, or 480V. 120V, 347V and 480V require and include an auxiliary transformer. For MCE types, "-3K" indicates a 3,000°K lamp, "-4K" indicates a 4,000°K lamp.
- Supplied standard for FVFC.
- Kit includes In-Line Fuses.
- Not Available with 480V.
- Requires 2 3/8" O.D. Mast Arm.
- Only available with single and twin luminaires @ 180°.
- Square pole mount only.
- See QS/Q924 Table.
- Available only with 400PSMH or 400HPS wattages. Includes dual-level capacitor and wiring to connect to Gardco Motion Response System.
- Available with Decolume only. Specify color. Contact factory for availability.

(Note 9) QS / Q924 Table	
HID Lamp Watts	Maximum Quartz Lamp Watts
175 watts or less	100 Watts
Above 175 watts up to 400 watts	150 Watts
QS, QST, Q924 and QT924 options are not available in luminaires above 400 watt HID.	

### DIMENSIONS AND EPA

ECOLUME / DECOLUME	EPA (Effective Projected Area) ft <sup>2</sup> / m <sup>2</sup>			Single Luminaire Weight (lbs / kg)
	Single	Twin 180°	Quad	
Arm Mount 23" units	3.6 / .335	7.3 / .679	8.8 / .818	90 / 40.83

ARM MOUNT	
	23"
<b>A</b>	23" sq 58.42cm
<b>B</b>	14.5" 36.83cm
<b>C</b> Arm Length	12" 30.48cm
<b>D</b> Arm Height	8" 20.32cm



### SPECIFICATIONS

**GENERAL DESCRIPTION:** Each Emco Ecolume and Decolume is a full cutoff luminaire for high intensity discharge lamps. Internal components are totally enclosed, rain-tight, dust-tight, and corrosion resistant. No venting of the optical system or electrical components is required or permitted. Lamping requires no lifting or hinging of the luminaire housing, disturbing wiring or exposing uninsulated live parts.

**HOUSING:** The housing wrapper is one-piece dieformed aluminum. The housing has an integral reinforcing spine and no welded corners. Silicone seals provide a weathertight seal at all points of material transition.

**LENS:** A mitered, extruded anodized aluminum door frame retains the optically clear, heat and impact resistant tempered flat glass in a sealed manner using hollow section, high compliance, memory retentive extruded silicone rubber. A single flush 1/4 turn captive fastener permits easy access to the luminaire.

**OPTICAL SYSTEMS:** The segmented reflector system consists of two levels of highly specular aluminum facets precisely aligned to achieve specified photometric distributions. The entire optical system is field rotatable in 90° increments. The mogul base socket is glazed porcelain with a nickel plated screw shell.

**ELECTRICAL:** All electrical components are UL recognized and factory tested. Electronic and magnetic HID ballasts are high power factor. Magnetic HID ballasts are the separate component type. The ballast is mounted on a unitized tray and secured within the luminaire, above the reflector system. Electronic and magnetic HID ballasts are capable of providing reliable lamp starting down to -20°F / -29°C.

Luminaires provided with the MasterColor® Elite high performance ceramic metal halide electronic system include high power factor electronic ballasts, designed specifically for the system selected.

**FINISH:** Each luminaire receives a fade and abrasion resistant, electrostatically applied, thermally-cured polyester powder finish after fabrication.

**LABELS:** All luminaires bear UL or CUL (where applicable) Wet Location labels.

**WARRANTY:** Luminaires in the Emco product family feature a 1 year limited warranty. See Warranty Information on [www.sitelighting.com](http://www.sitelighting.com) for complete details and exclusions.

**FULL CUTOFF PERFORMANCE:** Full cutoff performance means a luminaire distribution where zero candela intensity occurs at an angle at or above 90° above nadir. Additionally, the candela per 1000 lamp lumens does not numerically exceed 100 (10 percent) at a vertical angle of 80° above nadir. This applies to all lateral angles around the luminaire.