

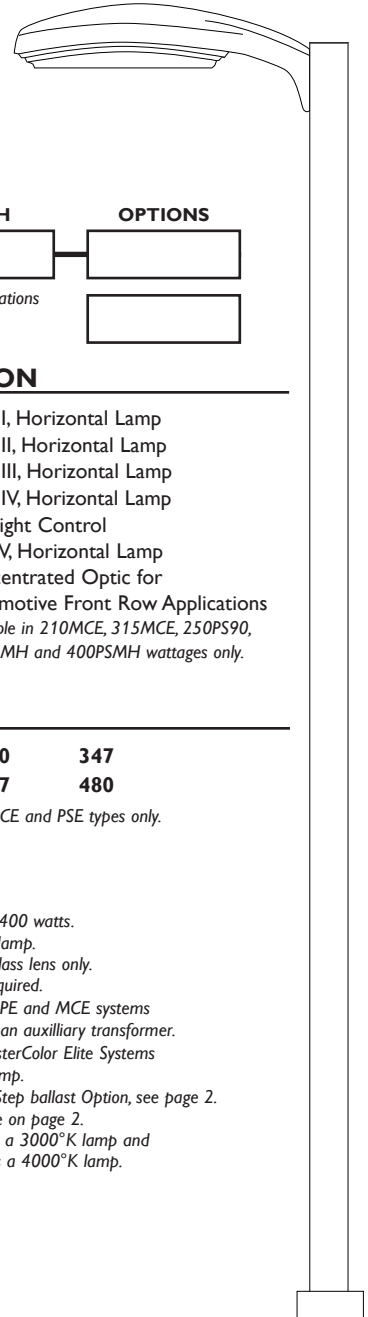
Job:
Type:
Notes:



Gullwing

G18 Area Luminaires

The Philips Gardco Gullwing is an area luminaire defined by its sleek profile and rugged construction. The housing is one-piece, die cast aluminum and mounts directly to a pole or wall without the need of a separate support arm. The multifaceted arc-image duplicating optical systems provide IES Types I, II, III, IV and V distributions. The door frame is single-piece diecast aluminum and retains an optically clear tempered flat glass lens. The luminaire is completely sealed and gasketed preventing intrusion from moisture, dust and insects. Gullwing luminaires are finished with a fade and abrasion resistant TGIC powdercoat. Flat glass lens luminaires provide full cutoff performance. Sag Lens luminaires provide cutoff performance.



PREFIX	MOUNTING	DISTRIBUTION	WATTAGE	VOLTAGE	FINISH	OPTIONS
Enter the order code into the appropriate box above. Note: Gardco reserves the right to refuse a configuration. Not all combinations and configurations are valid. Refer to notes below for exclusions and limitations. For questions or concerns, please consult the factory.						

PREFIX

G18 18" Gullwing Luminaire

MOUNTING

- 1** Single Pole Mount
- 2** Twin Pole Mount at 180°
- 2@90** Twin Pole Mount at 90°
- 3** 3-way Pole Mount at 90°
- 3@120°1** 3-way Pole Mount at 120°
- 4** 4-way Pole Mount
- W** Wall Mount, Recessed J-Box
- WS** Wall Mount, Surface Conduit

1. Not available with PTF option.

DISTRIBUTION

- 1²** Type I, Horizontal Lamp
- 2XL** Type II, Horizontal Lamp
- 3XL** Type III, Horizontal Lamp
- 4XL** Type IV, Horizontal Lamp
- BLC²** Backlight Control
- Q²** Type V, Horizontal Lamp
- AF** Concentrated Optic for Automotive Front Row Applications Available in 210MCE, 315MCE, 250PS90, 250PSMH and 400PSMH wattages only.

WATTAGE

Pulse Start MH Magnetic Ballast	100MH³	250PSMH [ⓔ]	350PSMH³ [ⓔ]	875PSMH⁴
	150MH³	250PS90** [ⓔ]	400PSMH³ [ⓔ]	
	175PSMH [ⓔ]	320PSMH³ [ⓔ]	750PSMH⁴	
Standard MH Magnetic Ballast	175MH³	250MH³	400MH^{3,3}	
CosmoPolis Electronic System <small>(See Notes 6,7,8,9)</small>	60CMPE	90CMPE 140CMPE		
MasterColor Elite Electronic System <small>(See Notes 6,7,9,10)</small>	210MCE-3K [ⓔ]	315MCE-3K [ⓔ]		
	210MCE-4K [ⓔ]	315MCE-4K [ⓔ]		
Pulse Start MH Electronic Ballast <small>(See Note 9)</small>	150PSE⁵ [ⓔ]	175PSE [ⓔ]	250PSE [ⓔ]	320PSE³ [ⓔ]
High Pressure Sodium Magnetic Ballast	70HPS	150HPS	400HPS	750HPS⁴
	100HPS	250HPS	600HPS	
Low Pressure Sodium Magnetic Ballast	35LPS			
* 175MH, 250MH and 400MH not available for sale in the United States.				
** 250PS90 includes a 90% efficient magnetic PSMH ballast, meeting the requirements of California Title 20, effective 1/1/2010.				
ⓔ	Wattages marked with Circle "E" meet federal energy efficiency standards applicable to 150 watt through 500 watt metal halide luminaires only.			

VOLTAGE

120	240	347
208	277	480
200-277 CMPE, MCE and PSE types only.		

NOTES:

2. Not available above 400 watts.
3. Requires E28/BT28 lamp.
4. Furnished with sag glass lens only.
5. Mogul base lamp required.
6. 347V and 480V CMPE and MCE systems include and require an auxiliary transformer.
7. CosmoPolis and MasterColor Elite Systems are supplied with lamp.
8. Available with LumiStep ballast Option, see page 2.
9. See QS / Q924 Table on page 2.
10. "-3K" suffix specifies a 3000°K lamp and "-4K" suffix specifies a 4000°K lamp.

1611 Clovis Barker Road, San Marcos, TX 78666
(800) 227-0758 (512) 753-1000 FAX: (512) 753-7855 sitelighting.com

© 2011 Koninklijke Philips Electronics N.V. All Rights Reserved.

Philips Gardco reserves the right to change materials or modify the design of its product without notification as part of the company's continuing product improvement program.

79115-85/1111

PHILIPS





FINISH

- BRP** Bronze Paint
- BLP** Black Paint
- WP** White Paint
- NP** Natural Aluminum Paint
- OC** Optional Color Paint
Specify Optional Color or RAL ex: OC-LGP or OC-RAL7024.
- SC** Special Paint
Specify. Must supply color chip.

OPTIONS

- F¹¹** Fusing In Head
- LF** In-Line/In-Pole Fusing
- PC¹²** Photocontrol and Receptacle
- PCR** Photocontrol Receptacle only
- POLY¹³** Polycarbonate Sag Lens
- SG¹⁴** Sag Glass Lens
- HS** Internal Houseside Shield
- QS⁹** Quartz Standby
- QST⁹** Quartz Standby - Timed Delay
- Q924⁹** Quartz Emergency
- QT924⁹** Quartz Emergency - Timed Delay
- RPA1¹⁵** 3" Round Pole Adapter
- RPA2¹⁶** 4" and 5" Round Pole Adapter
- MF¹⁷** Mast Arm Fitter

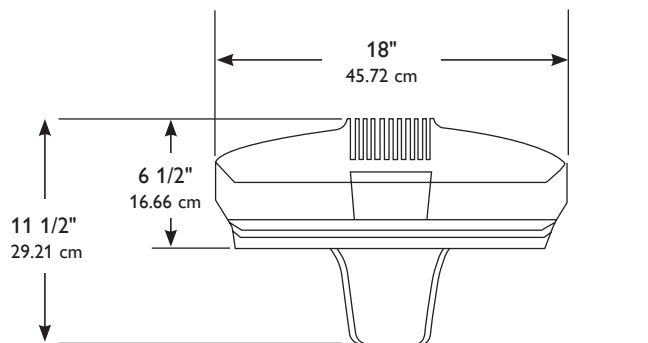
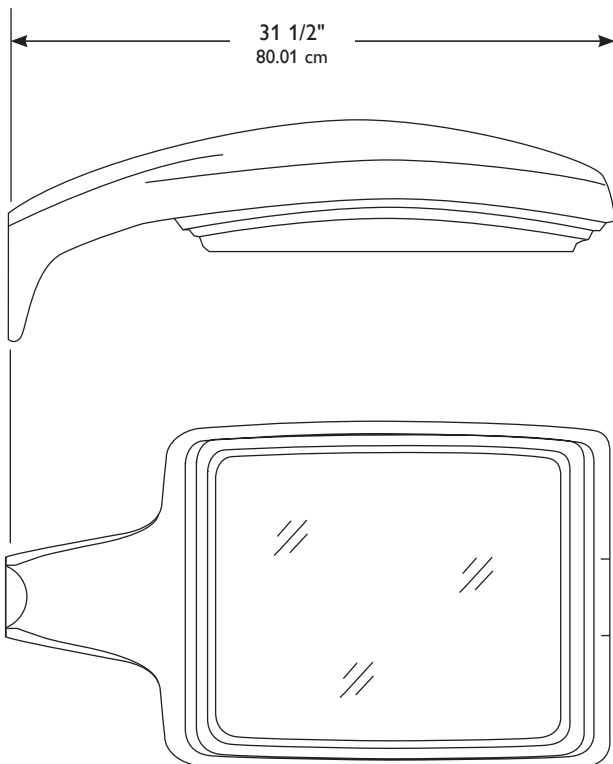
- TR1¹⁸** Single Transition
- TR2¹⁸** Twin Transition
- PTF2¹⁹** Pole Top Fitter - 2 3/8" - 3" Dia. Tenon
- PTF3¹⁹** Pole Top Fitter - 3" - 3 1/2" Dia. Tenon
- PTF4¹⁹** Pole Top Fitter - 3 1/2" - 4" Dia. Tenon
- SQPTF²⁰** Square Pole Top Fitter
- GMR²¹** Provision for Gardco Motion Response
- L6²²** LumiStep Ballast 6 hour
- L8²²** LumiStep Ballast 8 hour
- L10²²** LumiStep Ballast 10 hour

- 9. See QS/Q924 Table.
- 11. Not available above 400 watt.
- 12. Not available in 480V.
Provide specific input voltage.
- 13. 250W maximum. Polycarbonate lenses carry a 1 year warranty only.
- 14. In lieu of flat glass. Supplied standard and required with 750 watt and higher wattages.
- 15. Required for 3" O.D. round or tapered round poles where top O.D. is less than 4".
- 16. Required for 4"- 5" O.D. round poles.
- 17. Mounts to a 2-3/8" O.D. mast arm.
- 18. Mounts to a 2-3/8" Top Tenon. Specify a pole with a 4.50" O.D. for a smooth transition.
- 19. Not available in 120° mounting configurations.
- 20. Requires a 2-3/8" O.D. x 4" tenon or a 2.4" round pole top O.D. Specify Drilling (1, 2, 2@90, 3 or 4 only.)
- 21. Available only with 175PSMH through 400PSMH and 150HPS through 400HPS wattages. Includes dual-level capacitor and wiring to connect to Gardco Motion Response System.
- 22. Available with CosmoPolis system only. See submittal sheet GE200-005 for complete information on LumiStep ballasts.

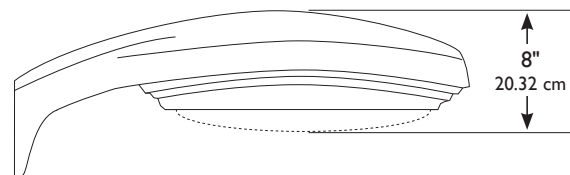
(Note 9) QS / Q924 Table	
HID Lamp Watts	Maximum Quartz Lamp Watts
175 watts or less	100 Watts
Above 175 watts up to 400 watts	150 Watts

QS, QST, Q924, QT924 are not available with CMPE, MCE or PSE wattages or in luminaires above 400 watts HID.

DIMENSIONS AND EPA



With Sag Glass Lens



EPA Data

1	2	3-4
1.2 ft ²	2.4 ft ²	3.2 ft ²
.11 m ²	.22 m ²	.30 m ²

1611 Clovis Barker Road, San Marcos, TX 78666
 (800) 227-0758 (512) 753-1000 FAX: (512) 753-7855 sitelighting.com

© 2011 Koninklijke Philips Electronics N.V. All Rights Reserved.

Philips Gardco reserves the right to change materials or modify the design of its product without notification as part of the company's continuing product improvement program.

79115-85/1111

PHILIPS





SPECIFICATIONS

GENERAL DESCRIPTION: The Philips Gardco Gullwing is an area luminaire defined by its sleek profile and rugged construction. The housing is one-piece, diecast aluminum and mounts directly to a pole or wall without the need of a separate support arm. The multifaceted arc-image duplicating optical systems provide IES Types I, II, III, IV and V distributions. The door frame is single-piece diecast aluminum and retains an optically clear tempered flat glass lens. The luminaire is completely sealed and gasketed preventing intrusion from moisture, dust and insects. The Gullwing luminaires are finished with a fade and abrasion resistant TGIC powdercoat.

HOUSING: A one-piece die cast aluminum housing mounts directly to a pole or wall without the need for a support arm. The low profile rounded form reduces the effective projected area of the luminaire to only 1.2 ft² / .11 m².

LENS ASSEMBLY: A single-piece diecast aluminum lens frame hinges down from the housing and is secured by a stainless steel lanyard and hinge pin.

An optically clear, heat and impact resistant tempered flat glass lens is mechanically secured with eight retainers. The electrical and optical chambers are thoroughly sealed with a one-piece memory retentive hollow-core EPDM gasket to prevent intrusion by moisture, dust, and insects.

OPTICAL SYSTEMS: The segmented optical systems are manufactured from homogenous sheet aluminum which has been electrochemically brightened, anodized and sealed. The multifaceted arc image duplicating systems are designed to produce IES Types I (1), II (2XL), III (3XL), IV (4XL and BLC), and V (Q). With the 2XL, 3XL and 4XL luminaries, the reflector facets form a conical fan around the arc tube with each facet positioned to be precisely tangent to the top of the arc tube.

The lampholder is glazed porcelain with a nickel plated screw shell. Position-oriented mogul base sockets to accept high output horizontal metal halide lamps are supplied standard.

ELECTRICAL: All electrical components are UL recognized and factory tested. Electronic and magnetic HID ballasts are high power factor and mounted on a unitized tray with quick electrical disconnects. Magnetic HID ballasts are the separate component type. Electronic and magnetic HID ballasts are capable of providing reliable lamp starting down to -20°F / -29°C.

Luminaires provided with the CosmoPolis or MasterColor Elite high performance ceramic metal halide electronic systems include high power factor electronic ballasts, designed specifically for the system selected.

FINISH: Each standard color luminaire receives a fade and abrasion resistant, electrostatically applied, thermally cured, triglycidal isocyanurate (TGIC) textured polyester powdercoat finish. Standard colors include bronze (BRP), black (BLP), white (WVP), and natural aluminum (NP). Consult factory for specs on optional or custom colors.

LABELS: All luminaires bear UL or CUL (where applicable) Wet Location labels.

WARRANTY: Philips Gardco luminaires feature a 5 year limited warranty. See Warranty Information on www.sitelighting.com for complete details and exclusions. Polycarbonate lenses carry a 1 year warranty only.

FULL CUTOFF PERFORMANCE: Full cutoff performance means a luminaire distribution where zero candela intensity occurs at an angle at or above 90° above nadir. Additionally, the candela per 1000 lamp lumens does not numerically exceed 100 (10 percent) at a vertical angle of 80° above nadir. This applies to all lateral angles around the luminaire.

CUTOFF PERFORMANCE: Cutoff performance means a luminaire distribution where the candela per 1000 lamp lumens does not numerically exceed 25 (2.5 percent) at an angle at or above 90° above nadir, and 100 (10 percent) at a vertical angle of 80° above nadir. This applies to all lateral angles around the luminaire.