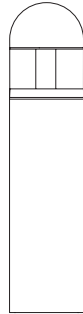


Job:
 Type:
 Notes:

BOLLARD

BRM800 Dome Top Bollards

Philips Gardco's bollard family features the BRM800 Dome Top bollard. This distinctive bollard provides uniform illumination, superior spacings and remarkable brightness control. Rugged extruded and cast construction with silicone seals and gasketing assure years of trouble free service. Each BRM800 utilizes 35w through 100w high intensity discharge lamps.



PREFIX	HEIGHT	WATTAGE	VOLTAGE	FINISH	OPTIONS
<input type="text"/>	<input type="text"/>	<input type="text"/>	<input type="text"/>	<input type="text"/>	<input type="text"/>

Enter the order code into the appropriate box above. Note: Philips Gardco reserves the right to refuse a configuration. Not all combinations and configurations are valid. Refer to notes below for exclusions and limitations. For questions or concerns, please consult the factory.

PREFIX	HEIGHT	WATTAGE	FINISH
BRM800 Dome Top Bollard	42" 36" 30" 24"	50MH¹ 70MH 100MH 35HPS² 50HPS¹ 70HPS 100HPS	INC <i>100w maximum A19</i> MH Metal Halide (Pulse Start) HPS High Pressure Sodium INC Incandescent

1. 120/277V Primary only.
 2. 120V Primary only.

VOLTAGE	FINISH
120 208 240 277	BRP Bronze Paint BLP Black Paint WP White Paint NP Natural Aluminum Paint VP Verde Green Paint OC Optional Color Paint <i>Specify RAL designation as ex: OC-RAL7024.</i> SC Special Color Paint <i>Specify. Must supply color chip.</i>

OPTIONS
F Fusing
SHD Internal 180° Shield
DUP Duplex Receptacle <i>weathertight, flush-mounted in lower housing</i>
GFCI GFCI Receptacle <i>weathertight, flush-mounted in lower housing</i>

1611 Clovis Barker Road, San Marcos, TX 78666
 (800) 227-0758 (512) 753-1000 FAX: (512) 753-7855 sitelighting.com

© 2011 Koninklijke Philips Electronics N.V. All Rights Reserved.

Philips Gardco reserves the right to change materials or modify the design of its product without notification as part of the company's continuing product improvement program.

79115-34/0511

PHILIPS



SPECIFICATIONS

GENERAL: Each Philips Gardco BRM800 is a bollard luminaire utilizing 35w through 100w high intensity discharge lamps. Luminaire features a precision anodized aluminum reflector system which provides low glare, uniform illumination and wide spacing. Units are totally sealed and gasketed preventing intrusion of moisture, dust and insects into the optical or electrical chambers.

HOUSING: Dome upper housing is diecast aluminum and bottom cylindrical housing is .125"(.318 cm) high strength 6063-T5 extruded aluminum. Bottom section has a welded-in cast ring for attachment to base assembly with four (4) hex head set screws.

LENS: The lens is .250" (.635 cm) clear virgin acrylic positioned between upper and lower housing sections. Silicone gasket completely seals unit and permits thermal expansion.

OPTICAL SYSTEM: Electrochemically anodized die-formed aluminum reflector provides efficient illumination and brightness control. Hammertoning of reflector assures clean, unstriated beam pattern.

SOCKET: Medium base pulse-rated lampholder is glazed porcelain with nickel plated reinforced screw shell and spring loaded contact.

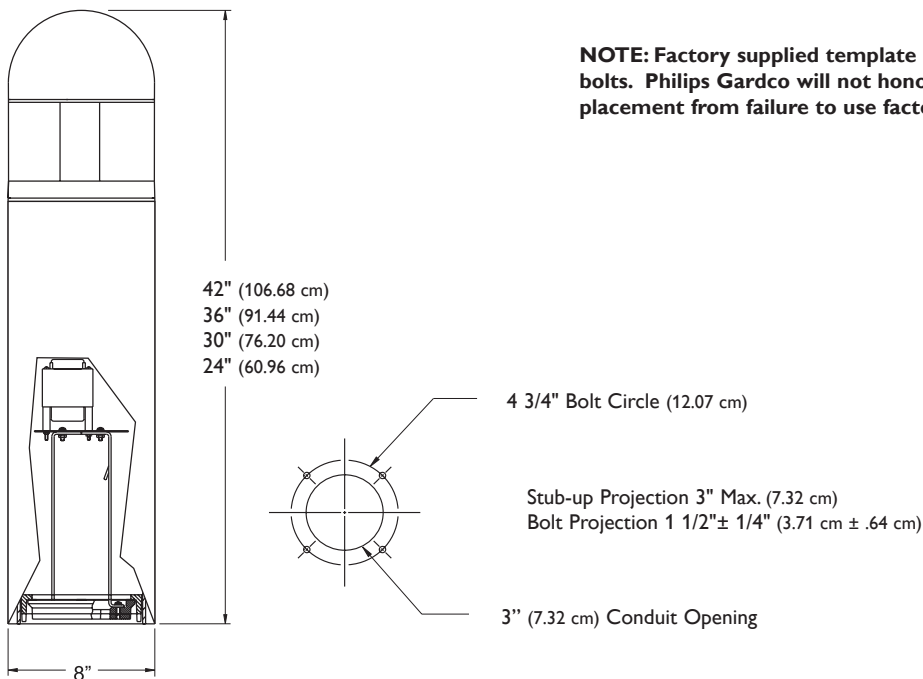
ANCHORAGE: Base assembly consists of a cast aluminum platform and ballast mounting bracket. Assembly is secured and leveled to the mounting foundation with four (4) 3/8" X 8" X 1 1/2"(.953 cm x 20.32 cm x 3.81 cm) anchor bolts on a 4 3/4" (12.07 cm) bolt circle. Ballast is prewired with quick electrical disconnects and mounting bracket is secured with two (2) Phillips head screws for ease of installation and servicing.

ELECTRICAL: Each high power factor ballast is the separate component type, capable of providing reliable lamp starting down to -20°F/-29°C. Component-to-component wiring within the luminaire will carry no more than 80% of rated current and is listed by UL for use at 600 VAC at 150°C or higher. Plug disconnects are listed by UL for use at 600 VAC, 15A or higher.

FINISH: Each luminaire receives a fade and abrasion resistant, electrostatically applied, thermally cured textured polyester powdercoat finish.

WARRANTY: Philips Gardco luminaires feature a 5 year limited warranty. See Warranty Information on www.sitelighting.com for complete details and exclusions. Polycarbonate lenses carry a 1 year warranty only.

DIMENSIONS



NOTE: Factory supplied template must be used when setting anchor bolts. Philips Gardco will not honor any claim for incorrect anchorage placement from failure to use factory supplied templates.