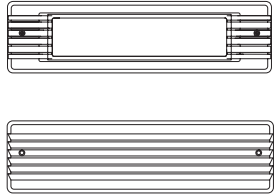


Job:
 Type:
 Notes:

94 Line

941 Recessed Steplights

The Philips Gardco 941 step and aisle lights are architecturally styled luminaires of minimal scale precisely constructed of die cast aluminum. The 941 was specifically designed to incorporate long life compact fluorescent lamps and to be used in all types of wall construction. A field adjustable junction box further enhances its design flexibility. Self-compensating silicone gasketing completely excludes moisture, insects and contaminants. A choice of three (3) architecturally designed faceplates allows for a variety of applications.



Enter the order code into the appropriate box above. Note: Philips Gardco reserves the right to refuse a configuration. Not all combinations and configurations are valid. Refer to notes below for exclusions and limitations. For questions or concerns, please consult the factory.

PREFIX

941

NOTE: Back housings for concrete pour applications (types U and C) are available for pre-shipment. Contact factory for details.

WALL TYPE

- U** Universal
Suitable for all wall types including drywall, direct burial in insulation and concrete pour.
- D** Drywall
Not suitable for concrete pour applications. Also, if insulating material is present, it must be kept at least 3" away from luminaire. Type D units are thermally protected
- C** Concrete Pour
Suitable for concrete pour applications only.

LAMP

- U Type**
7/9TF 120V only
13QF
18QF
- TF** - Twin Tube Compact Fluorescent
QF - Quad Tube Compact Fluorescent
INC - Incandescent
- D and C Types**
INC 60w maximum, 120V only

FACEPLATES

- LV** Louver
- PG** Prismatic Glass
- DG** Diffuse Glass

VOLTAGE

- 120**
- 277**
- 347**

FINISH

- BLP** Black Paint
- BRP** Bronze Paint
- WP** White Paint
- NP** Natural Aluminum Paint
- OC** Optional Color Paint
(Specify RAL designation. ex: OC-RAL7024)
- SC** Special Color Paint
(Specify. Must supply color chip)



SPECIFICATIONS

FACEPLATE: One piece die cast aluminum, secured to housing with two (2) recessed and captive hex head socket screws. Integral spring clips ensure positive grounding. Self-compensating single-piece silicone gasketing allows for varying wall thicknesses.

LOUVER: Die cast louvers span the entire length of the faceplate, providing for vandal resistance and glare control.

DIFFUSE GLASS: 1/8" (.32 cm) thick white diffuse opal flat tempered glass lens.

PRISMATIC GLASS: 1/8" (.32 cm) thick prismatic glass lens is internally sealed and mounted and projects light forward and downward.

HOUSING: Corrosion resistant die cast aluminum construction.

J-BOX: The field convertible junction box is die cast aluminum. It is shipped factory-mounted to the back of housing. The box can be easily positioned on the bottom of the luminaire via two (2) phillips head screws. Each J-box includes three (3) threaded openings (one on each side and one on the bottom) that accommodate 3/4" conduit.

ELECTRICAL:

FLUORESCENT UNITS: High power factor ballast standard. Accepts 7/9w twin tube lamps and 13w and 18w quad tube lamps.

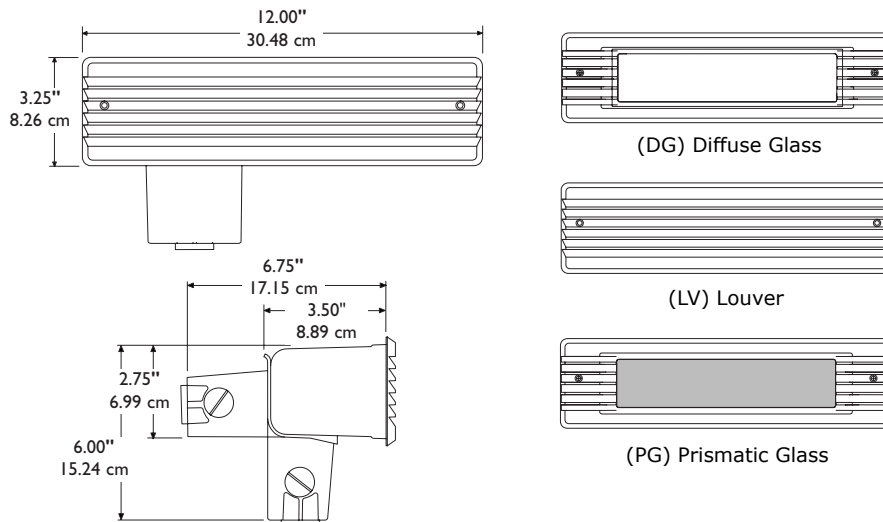
INCANDESCENT UNITS: Medium base socket with nickel plated screw shell. Accepts 60w T-10 lamp

FINISH: Fade and abrasion resistant, electrostatically applied, thermally cured TGIC textured polyester powder coat.

LABELS: All fixtures bear UL or CUL (where applicable) Wet Location labels.

WARRANTY: Philips Gardco luminaires feature a 5 year limited warranty. See Warranty Information on www.sitelighting.com for complete details and exclusions. Polycarbonate lenses carry a 1 year warranty only.

DIMENSIONS



1611 Clovis Barker Road, San Marcos, TX 78666
 (800) 227-0758 (512) 753-1000 FAX: (512) 753-7855 sitelighting.com

© 2011 Koninklijke Philips Electronics N.V. All Rights Reserved.

Philips Gardco reserves the right to change materials or modify the design of its product without notification as part of the company's continuing product improvement program.

79115-99/0411

PHILIPS

