

Job:
Type:
Notes:

Emco

Decolume Tall

Page 1 of 3

Arm Mount / Wall Mount

The Emco Decolume Tall (DECT18) is a rectilinear area luminaire that features three (3) decorative ribs along the lower portion of the dieformed housing. The precision segmented optical systems provide required light levels, even illumination, wide pole spacings and glare control. The door frame is anodized, extruded aluminum. The Decolume luminaire is completely sealed and gasketed, preventing intrusion from moisture, dust, insects and contaminants. The housing adds subtle additional height to allow for 750 watt capability in a lower profile, more appealing form for both vertical and horizontal lamps.



Flat glass lens luminaires provide full cutoff performance. Sag lens Luminaires using 3V/QV optics set to lower socket position provide semi-cutoff performance. Other sag lens luminaires provide cutoff performance.

PREFIX	MOUNTING	DISTRIBUTION	WATTAGE	VOLTAGE	FINISH	OPTIONS
<input type="text"/>	<input type="text"/>	<input type="text"/>	<input type="text"/>	<input type="text"/>	<input type="text"/>	<input type="text"/>
Enter the order code into the appropriate box above. Note: Philips Gardco reserves the right to refuse a configuration. Not all combinations and configurations are valid. Refer to notes below for exclusions and limitations. For questions or concerns, please consult the factory.						<input type="text"/>

PREFIX

Decolume Tall

Arm Mount to Pole*	DECTA18	18" Square Luminaire - Tall
Direct Wall Mount	DECTW18	18" Square Luminaire - Tall
Wall Mount with Arm	DECTWA18	18" Square Luminaire - Tall

*Arm mounting on round poles is designed to mount to poles measuring 3.5" OD or larger only.

MOUNTING

- 1 Single Assembly
- 2 Twin Pole Mount at 180°
- 2@90° Twin Pole Mount at 90°
- 3 3-way Pole Mount at 90°
- 3@120° 3-way Pole Mount at 120°
- 4 4-way Pole Mount

Use "1" for wall mounted units.

DISTRIBUTION

Horizontal Lamp

- 2H Type II
- 3H Type III
- FH Type IV Forward Throw
- QH Type V

Vertical Lamp

- 3V² Type III Vertical Lamp
- FV Type IV Forward Throw Vertical Lamp
- QV² Type V Vertical Lamp

1. Vertical lamp optics are supplied standard with high temperature resistant thermoplastic sag lens in 450W. All 750W luminaires are supplied standard with and MUST use a sag glass lens

2. 3V/QV optical systems feature an upper (factory set) cutoff socket position. For wider spacings, a lower (field adjustable) semi-cutoff socket position may be set.

WATTAGE

- 450 PSMH¹ ⓔ
- 750 PSMH¹ ^{3. Available in Vertical lamp optics only.}
- 750 HPS ^{4. M149 only.}

ⓔ Wattages marked with circle "E" meet federal energy efficiency standards applicable to 150 watt through 500 watt metal halide luminaires only.

VOLTAGE

- 120 347
- 208 480
- 240 QUAD
- 277 120/208/240/277 factory tied to 277V.

1611 Clovis Barker Road, San Marcos, TX 78666
(800) 227-0758 (512) 753-1000 FAX: (512) 753-7855 sitelighting.com

© 2012 Koninklijke Philips Electronics N.V. All Rights Reserved.

Philips Gardco reserves the right to change materials or modify the design of its product without notification as part of the company's continuing product improvement program.

79215-53/0512

PHILIPS

GARDCO

FINISH

BRP	Bronze Paint
BLP	Black Paint
WP	White Paint
NP	Natural Aluminum Paint
OC	Optional Color Paint <i>Specify Optional Color or RAL ex: OC-LGP or OC-RAL7024.</i>
SC	Special Paint <i>Specify. Must supply color chip.</i>

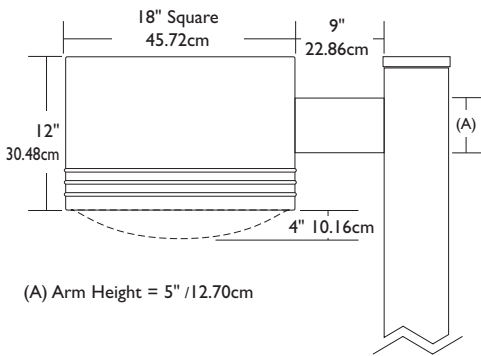
OPTIONS

HS⁵	Internal House Side Shield
F	Fusing
LF⁶	In-Pole/In-Line Fusing
PCT⁷	Locking Type Photocontrol Receptacle with Photocontrol
PCR	Locking Type Photocontrol Receptacle
PCB⁷	Button Photocontrol
MF⁸	Mast Arm Fitter
PTF2	Pole Top Fitter 2 3/8" X 4"
PTF3	Pole Top Fitter 3 - 3 1/2" X 6"
PTF4	Pole Top Fitter 3 1/2 - 4" X 6"
AP⁹	Adjustable Knuckle - Square Pole Mount
AT	Adjustable Knuckle - Tenon Mount

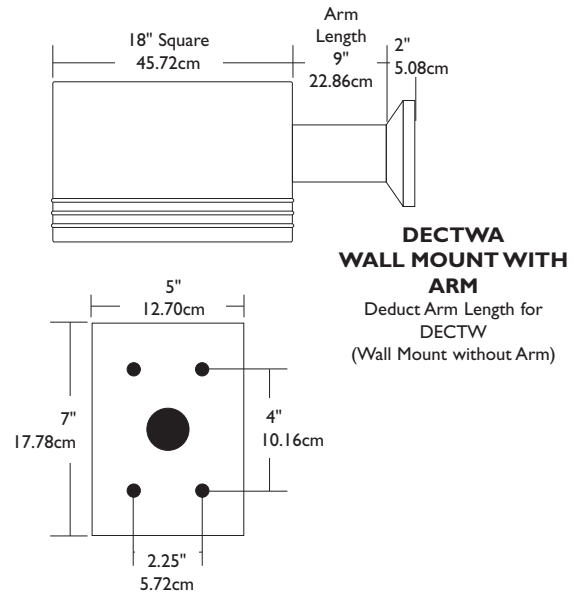
QS¹⁰	Quartz Standby
QST¹⁰	Quartz Standby - Timed Delay
CR¹¹	Colored Reveal
SG¹²	Sag Glass Lens

- 5. Supplied standard for FH/IV.
- 6. Kit includes In-Line Fuses.
- 7. Not Available with 480V.
- 8. Requires 2 3/8" O.D. Mast Arm.
- 9. Only available with single and twin luminaires @ 180°. Square pole mount only.
- 10. 450PSMH only. 150 watt quartz lamp maximum.
- 11. Specify color. Contact factory for availability.
- 12. In lieu of thermoplastic sag lens on 450PSMH only. Sag Glass lens supplied standard on 750W luminaires.

DIMENSIONS AND EPA



DECTA ARM MOUNT



DECTWA WALL MOUNT WITH ARM
Deduct Arm Length for DECTW (Wall Mount without Arm)

EPA'S AND WEIGHTS

DECT18 EPA (Effective Projected Area) Ft² / m²

	Single	Twin 180°	3 Way/Quad	Single Luminaire Weight
Arm, Flat Lens	2.2 / .205	4.3 / .400	5.6 / .521	82
Arm, Sag Lens	2.3 / .214	4.7 / .437	6.1 / .567	84

SPECIFICATIONS

GENERAL DESCRIPTION: Each EMCO Decolume DECT is a cutoff luminaire for high intensity discharge lamps up to 750 watts. Internal components are totally enclosed, rain-tight, dust-tight, and corrosion resistant. No venting of the optical system or electrical components is required or permitted. Lamping requires no lifting or hinging of the luminaire housing, disturbing wiring or exposing uninsulated live parts.

HOUSING: The housing wrapper is one-piece dieformed aluminum with an integral reinforcing spline and no welded corners. The housing features three (3) permanently rolled integral ribs creating twin bands along the lower portion of the housing. The housing may be specified with factory-applied color accents that nest within the reveals. Silicone seals provide a weathertight seal at all points of material transition.

LENS: A mitered, extruded anodized aluminum door frame retains the optically clear, heat and impact resistant, tempered flat glass in a sealed manner using hollow section, high compliance, memory retentive extruded silicone rubber. A drop glass lens is provided standard on vertical lamp luminaires above 450w. A non-yellowing acrylic drop lens is provided for vertical lamp luminaires at 450w or below. A single flush captive fastener permits easy access to the luminaire.

OPTICAL SYSTEMS: The segmented reflector system consists of two levels of highly specular aluminum facets precisely aligned to achieve specified photometric distributions. The entire optical system is field rotatable in 90° increments. The position-oriented mogul base socket is glazed porcelain with a nickel plated screw shell. Vertical lamp optical systems feature a field adjustable lampholder to allow for wider spacings while maintaining IES semi-cutoff classification.

MOUNTING

ARM MOUNT: A one-piece, extruded aluminum arm conceals two (2) steel tie rods and all mounting hardware. No fasteners or welds are visible. A reinforcing plate and wire strain relief are provided for pole installation.

WALL MOUNT: The luminaire is supported by a 10 ga. galvanized steel mounting plate. A diecast aluminum canopy is provided which completely conceals the mounting assembly. For wall mounting with an arm, a one-piece, extruded aluminum arm conceals two (2) steel tie rods and all mounting hardware.

ELECTRICAL: Each high power factor ballast is the separate component type, capable of providing reliable lamp starting down to -20° F. The ballast is mounted on a unitized tray and secured within the luminaire, above the reflector system. Component-to-component wiring within the luminaire will carry no more than 80% of rated current and is listed by UL for use at 600 VAC at 150°C or higher. Plug disconnects are listed by UL for use at 600 VAC, 15A or higher.

FINISH: Each standard luminaire receives a fade and abrasion resistant, electrostatically applied, thermally-cured polyester powder finish after fabrication. Consult factory for special colors.

COLOR BANDS: Decolume may be specified with factory-applied color accents which nest in the twin reveals at the lower perimeter of the housing. Consult factory for custom colors.

LABELS: All luminaires bear UL or CUL (where applicable) Wet Location labels.

WARRANTY: Luminaires in the Emco product family feature a 1 year limited warranty. See Warranty Information on www.sitelighting.com for complete details and exclusions.

FULL CUTOFF PERFORMANCE: Full cutoff performance means a luminaire distribution where zero candela intensity occurs at an angle at or above 90° above nadir. Additionally, the candela per 1000 lamp lumens does not numerically exceed 100 (10 percent) at a vertical angle of 80° above nadir. This applies to all lateral angles around the luminaire.

CUTOFF PERFORMANCE: Cutoff performance means a luminaire distribution where the candela per 1000 lamp lumens does not numerically exceed 25 (2.5 percent) at an angle at or above 90° above nadir, and 100 (10 percent) at a vertical angle of 80° above nadir. This applies to all lateral angles around the luminaire.

SEMI-CUTOFF PERFORMANCE: Semi-Cutoff performance means a luminaire distribution where the candela per 1000 lamp lumens does not numerically exceed 50 (5.0 percent) at an angle at or above 90° above nadir, and 200 (20 percent) at a vertical angle of 80° above nadir. This applies to all lateral angles around the luminaire.

1611 Clovis Barker Road, San Marcos, TX 78666

(800) 227-0758 (512) 753-1000 FAX: (512) 753-7855 [sitelighting.com](http://www.sitelighting.com)

© 2012 Koninklijke Philips Electronics N.V. All Rights Reserved.

Philips Gardco reserves the right to change materials or modify the design of its product without notification as part of the company's continuing product improvement program.

79215-53/0512

PHILIPS

 GARDCO