

Job:
 Type:
 Notes:

Poles

Straight Square Composite - Anchor Base

The Philips Gardco SSC straight composite pole consists of a one-piece square fiberglass reinforced composite lighting standard. The non-corroding composite material will not deteriorate in acid soil, acid rain or salt air and will outlast wood, aluminum, steel and concrete under the same climatic conditions. The poles are finished in your choice of four colors. All poles include anchor bolts, hand hole, base shroud, ground lug and top cap.



Enter the order code into the appropriate box above. Note: Gardco reserves the right to refuse a configuration. Not all combinations and configurations are valid. Refer to notes below for exclusions and limitations. For questions or concerns, please consult the factory.

PREFIX	BASE	HEIGHT	DRILLING	FINISH
SSC4	AB Anchor Base	8' <i>l. Refers to strength based</i>	D1 1 Way	BRP Bronze Paint
SSC5		10' <i>on wind load</i>	D2 2 Way	BLP Black Paint
		12' <i>factors.</i>	D2@90 2 Way at 90°	WP White Paint
		15' <i>H = Heavy.</i>	D3 3 Way	NP Natural Aluminum Paint
		18'	D4 4 Way	
		20'	T2 2 3/8" ODTenon	
		25'		<i>Consult factory for Optional or Special Colors.</i>
		30'		<i>Consult factory for Composite Pole Options.</i>
		30H'		

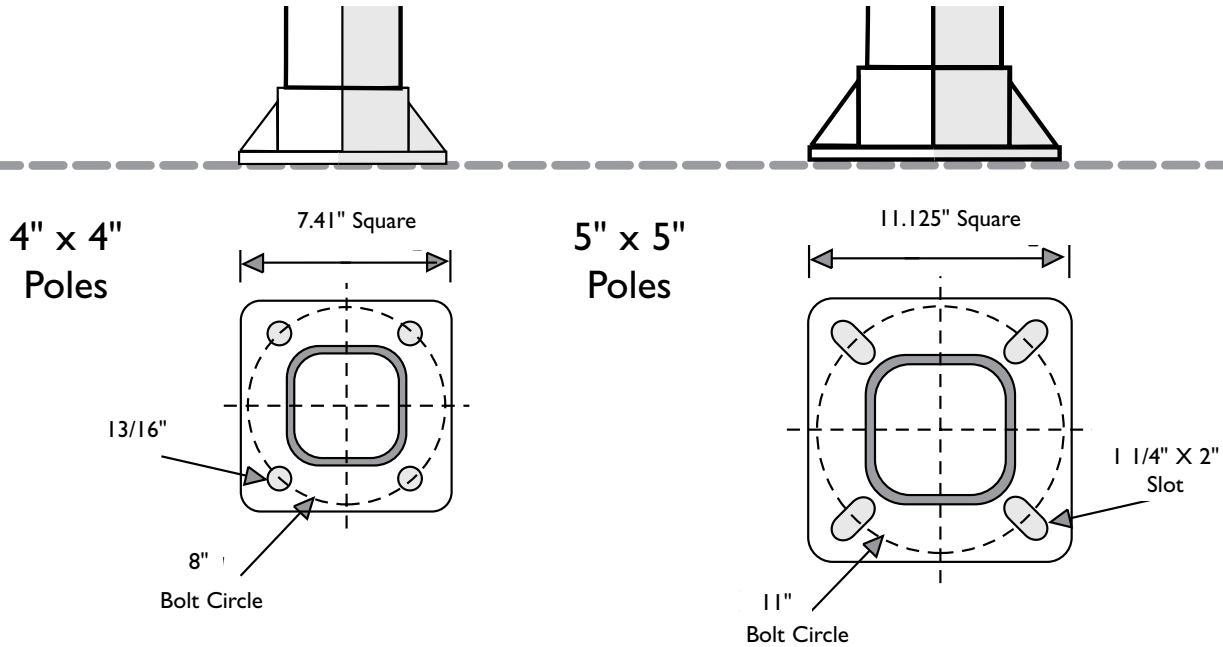
POLE DATA

CATALOG NUMBER	POLE SIZE		MAXIMUM LUMINAIRE LOADING ²					ANCHOR BOLT DATA ³	
	ACTUAL HEIGHT	POLE WEIGHT (lbs)	120 MPH EPA-FT ²	100 MPH EPA-FT ²	90 MPH EPA-FT ²	80 MPH EPA-FT ²	MAX. WEIGHT (lbs)	BOLT CIRCLE (inches)	BOLT SIZE (inches)
SSC4-AB-8	8'	23	13.8	20.0	20.0	20.0	150	8.0	5/8 x 18 x 3
SSC4-AB-10	10'	27	10.5	16.1	20.0	20.0	150	8.0	5/8 x 18 x 3
SSC4-AB-12	12'	31	8.1	12.8	16.4	20.0	150	8.0	5/8 x 18 x 3
SSC4-AB-15	15'	37	4.3	7.3	9.7	13.0	150	8.0	5/8 x 18 x 3
SSC4-AB-18	15'	43	2.6	5.2	7.2	9.9	150	8.0	5/8 x 18 x 3
SSC4-AB-20	20'	47	1.6	4.0	5.8	8.3	150	8.0	5/8 x 18 x 3
SSC4-AB-25	25'	57	-	1.5	3.0	5.0	150	8.0	5/8 x 18 x 3
SSC5-AB-20	20'	102	4.9	8.4	11.1	14.9	300	11.0	1 x 36 x 4.5
SSC5-AB-25	25'	125	2.6	5.4	7.6	10.6	300	11.0	1 x 36 x 4.5
SSC5-AB-30	30'	148	-	1.7	3.4	5.7	300	11.0	1 x 36 x 4.5
SSC5-AB-30H	30'	164	-	2.6	5.1	8.6	300	11.0	1 x 36 x 4.5

- Warning:** Additional wind loading, in terms of EPA, from banners, cameras, floodlights and other accessories attached to the pole, must be added to the luminaire(s) EPA before selecting the pole with the appropriate wind load capability.
- Factory supplied template must be used when setting anchor bolts. Philips Gardco will not honor any claim for incorrect anchorage placement resulting from failure to use factory supplied templates.

DIMENSIONS

NOTE: Factory supplied template must be used when setting anchor bolts. Philips Gardco will not honor any claim for incorrect anchorage placement from failure to use factory supplied templates.



SPECIFICATIONS

POLE SHAFT: The pole shaft is a one-piece, 4" or 5" square, and is constructed by the pultrusion process from thermosetting polyester resin and contains a minimum of 65 percent "E" type fiberglass by weight.

The resin used to make the pole is ultraviolet resistant.

The surface of the pole has a smooth finish that is uniform along the entire length of the pole.

The pole is flame resistant in accordance with ASTM D635. Specimens must cease to burn before the gauge mark of 100mm (3.9 inches) is reached.

If applicable, Tenons are permanently bonded to the fiberglass shaft and are hot-dipped galvanized steel to ASTM A153, or are 6061-T6 or A356-T6 aluminum.

HAND HOLE: The (standard) hand hole shall be 2.5" x 5" and provided with a vandal-resistant, stainless steel ¼" socket head screw. All hand hole covers are polyurethane coated to match pole color.

POLE TOP CAP: Each pole assembly is provided with pole top cap.

FINISH: A highly weather resistant, pigmented, polyurethane coating is applied to the pole. The coating has a minimum dry film thickness of 1.5 mils. Poles are available in white, bronze, natural or black.

GENERAL POLE INFORMATION

DESIGN: The poles as charted are designed to withstand dead loads and predicted dynamic loads developed by variable wind speeds with an additional 30% gust factor under the following conditions:

The charted weights include luminaire(s) and/or mounting bracket(s).

The wind velocities are based on 10 mph increments from 80 mph through 100 mph. Poles to be located in areas of known abnormal conditions may require special consideration. For example: coastal areas, airports and areas of special winds.

Poles are designed for ground mounted applications. Poles mounted on structures (such as buildings and bridges) may also necessitate special consideration requiring Philips Gardco's recommendation.

Height correction factors and drag coefficients are applied to the entire structure. An appropriate safety factor is maintained based on the minimum yield strength of the material incorporated in the pole.

WARNING: This design information is intended as a general guideline only. The customer is solely responsible for proper selection of pole, luminaire, accessory and foundation under the given site conditions and intended usage. The addition of any items to the pole, in addition to the luminaire, will dramatically impact the EPA load on that pole. It is strongly recommended that a qualified professional be consulted to analyze the loads given the user's specific needs to ensure proper selection of the pole, luminaire, accessories, and foundation. Philips Gardco assumes no responsibility for such proper analysis or product selections. **Failure to insure proper site analysis, pole selection, loads and installation can result in pole failure, leading to serious injury or property damage.**

GENERAL INFORMATION: Mounting height is the vertical distance from the base of the lighting pole to the center of the luminaire arm at the point of luminaire attachment. Twin arms as charted are oriented at 180° with respect to each other. For applications of two (2) arms at 90° or other multiple arm applications, consult the factory.

WARRANTY: Philips Gardco poles feature a 1 year limited warranty. See Warranty Information on www.sitelighting.com for complete details and exclusions.