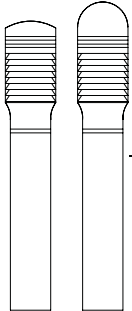


Job:  
 Type:  
 Notes:

# LIGHTCOLUMNS 4

## 4" Flat Top and Dome Top

The Philips Gardco Lightcolumns 4 are small columnar luminaires that combine efficiency with performance. These products are available in mounting heights to 60" and utilize HID lamps to 50 watts. The wide spectrum of available finishes and twin colored glow rings provide extensive design opportunities and create the potential for luminaire compatibility with most commercial landscapes and architectural environments.



PREFIX	GLOW RINGS	HEIGHT	WATTAGE	VOLTAGE	FINISH	OPTIONS
<input type="text"/>	<input type="text"/>	<input type="text"/>	<input type="text"/>	<input type="text"/>	<input type="text"/>	<input type="text"/>

Enter the order code into the appropriate box above. Note: Philips Gardco reserves the right to refuse a configuration. Not all combinations and configurations are valid. Refer to notes below for exclusions and limitations. For questions or concerns, please consult the factory.

PREFIX		GLOW RINGS		HEIGHT	WATTAGE	
<b>LD452CL</b>	HID Downlight - Flat Top	<b>RY</b>	Yellow	<b>30"</b>	<b>HID Units</b>	<b>Fluorescent Units</b>
<b>LD452ML</b>	HID Downlight - Dome Top	<b>RG</b>	Green	<b>42"</b>	<b>50MH<sup>1</sup></b>	<b>26QF<sup>2,3</sup></b>
<b>LD453CL</b>	Fluorescent Downlight - Flat Top	<b>RR</b>	Red	<b>60"</b>	<b>35HPS<sup>1</sup></b>	<b>32TRF<sup>2,3</sup></b>
<b>LD453ML</b>	Fluorescent Downlight - Dome Top	<b>RC</b>	Clear		<b>50HPS<sup>1</sup></b>	<b>42TRF<sup>2,3</sup></b>
		<b>RX</b>	Opaque			MH Metal Halide (Pulse Start) HPS High Pressure Sodium QF Quad Tube Fluorescent TRF Triple Tube Fluorescent

Leave column empty if no glowrings are desired.

1. Coated lamps are recommended.  
 2. 26QF, 32TRF and 42TRF types feature an electronic fluorescent ballast that accepts 120V through 277V, 50hz or 60hz input. Specify UNIV for 120V through 277V.  
 3. Starting temperature is 0°F.

VOLTAGE	FINISH	
<b>120</b>	<b>BRP</b>	Bronze Paint
<b>277</b> <i>HID - 277V is available with 50MH only.</i>	<b>BLP</b>	Black Paint
<b>347</b> <i>Available with Fluorescent units only. Consult factory for 347V availability prior to ordering.</i>	<b>WP</b>	White Paint
	<b>NP</b>	Natural Aluminum Paint
	<b>VP</b>	Verde Green Paint
	<b>OC</b>	Optional Color Paint Specify RAL designation as ex: OC-RAL7024.
	<b>SC</b>	Special Color Paint Specify. Must supply color chip.

**UNIV<sup>2</sup>** Compact Fluorescent only.

OPTIONS	
<b>F</b>	Fusing <i>HID units only</i>
<b>WL</b>	White Louvers <i>Black louvers are supplied standard</i>



# LIGHTCOLUMNS 4

### SPECIFICATIONS

**GENERAL:** Each Philips Gardco Lightcolumn 4 is a small columnar luminaire utilizing 35 through 50W high intensity discharge and 26W, 32W or 42W compact fluorescent lamps. Luminaires are available in mounting heights to 60". Units are totally sealed and gasketed preventing intrusion of moisture, dust and insects into the optical or electrical chambers.

**CONSTRUCTION:** Luminaire top housing elements are precision diecast aluminum alloy #380. The top cover on the flat top CL version is slightly crowned while the ML version features a dome top. Both versions have no exposed fasteners. The lower housing assembly consists of a .140" wall by 4" diameter high strength 6063-T6 extruded aluminum section incorporating a flush, weather-tight gasketed handhole cover.

**LENS:** The lens is a .187" x 5" diameter clear injection molded acrylic secured between diecast aluminum sections in an unstressed manner with silicone adhesive.

**OPTICAL SYSTEM:** Lamp concealing louvers have an internal reflecting surface to provide a wide light distribution.

**ELECTRICAL:** Each HID high power factor ballast is the separate component type, capable of providing reliable lamp starting down to -20° F. Standard fluorescent ballast is solid state, with a 0°F starting temperature..

Medium base pulse rated lampholder is glazed porcelain with nickel plated reinforced screw shell and spring loaded contact. Fluorescent sockets are high temperature plastic (PBT) with brass alloy contacts.

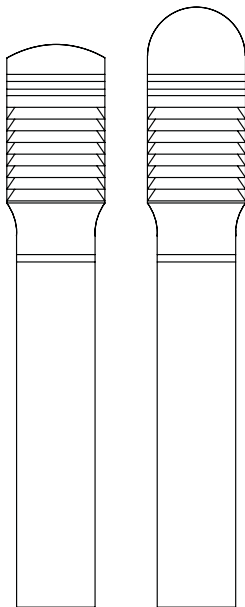
**ANCHORAGE:** Base assembly consists of an internal welded cast ring section that provides for mounting to the foundation with four (4) 3/8" X 8" X 1 1/2" anchor bolts on a 2 3/4" bolt circle.

**FINISH:** Each luminaire receives a fade and abrasion resistant, electrostatically applied, thermally cured textured polyester powder finish.

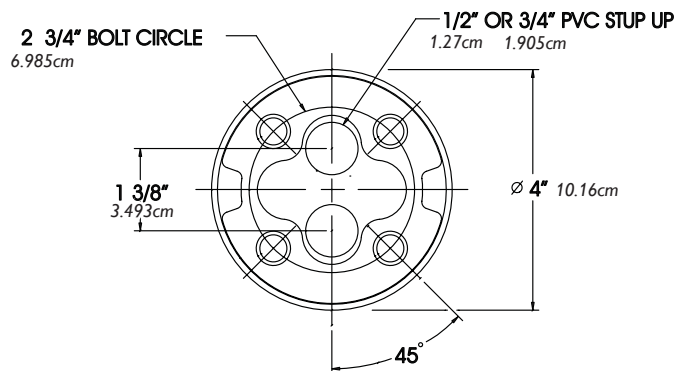
**LABELS:** All luminaires bear UL or CUL (where applicable) Wet Location labels.

**WARRANTY:** Philips Gardco luminaires feature a 5 year limited warranty. See Warranty Information on [www.sitelighting.com](http://www.sitelighting.com) for complete details and exclusions. Polycarbonate lenses carry a 1 year warranty only.

### DIMENSIONS



NOTE: Factory supplied template must be used when setting anchor bolts. Philips Gardco will not honor any claim for incorrect anchorage placement from failure to use factory supplied templates.



1611 Clovis Barker Road, San Marcos, TX 78666

(800) 227-0758 (512) 753-1000 FAX: (512) 753-7855 [sitelighting.com](http://www.sitelighting.com)

© 2011 Koninklijke Philips Electronics N.V. All Rights Reserved.

Philips Gardco reserves the right to change materials or modify the design of its product without notification as part of the company's continuing product improvement program.

79115-86/0511

**PHILIPS**

**GARDCO**