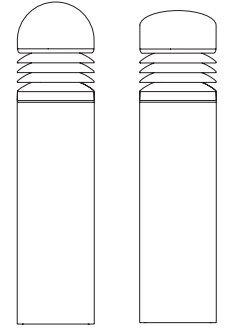


Job: _____
 Type: _____
 Notes: _____

BOLLARD

BRM820/821/823 Dome Top Louver BRM824/825/827 Bevel Top Louver

Philips Gardco's dome top and bevel top Louver Bollards provide uniform illumination, superior spacings and solid vandal resistance. Rugged extruded and cast construction with silicone seals and gasketing assure years of trouble free service. The BRM820 and BRM 824 are complete assemblies with an aluminum base. BRM821 and BRM825 head only units affix to custom architectural elements. BRM 823 and BRM827 luminaires include a concrete base assembly. Each Philips Gardco BRM820/821/823 824/825/827 utilizes 35w through 100w high intensity discharge or up to 42w compact fluorescent lamps.



PREFIX	HEIGHT	WATTAGE	VOLTAGE	FINISH	OPTIONS
<input type="text"/>	<input type="text"/>	<input type="text"/>	<input type="text"/>	<input type="text"/>	<input type="text"/>

Enter the order code into the appropriate box above. Note: Philips Gardco reserves the right to refuse a configuration. Not all combinations and configurations are valid. Refer to notes below for exclusions and limitations. For questions or concerns, please consult the factory.

PREFIX		HEIGHT	WATTAGE				
Dome Top	Bevel Top		50MH ¹	35HPS ²	26QF ³	INC ²	
BRM820	BRM824	with Cast Aluminum Base	42" 36" 30" 24"	70MH	50HPS ¹	32TRF ³	100w maximum A19
BRM821	BRM825	Head Only	11"	100MH	70HPS	42TRF ³	
BRM823	BRM827	with Natural Concrete Base	42"		100HPS		
BRM823B	BRM827B	with Beige Concrete Base	42"				
BRM823G	BRM827G	with Grey Concrete Base	42"				

MH Metal Halide (Pulse Start)
 HPS High Pressure Sodium
 QF Quad Tube Fluorescent
 TRF Triple Tube Fluorescent
 INC Incandescent

1. 120/277V Primary only.
2. 120V Primary only.
3. Features an electronic fluorescent ballast that accepts 120V through 277V, 50hz or 60hz input. 0°F/18°C starting temperature.

VOLTAGE		FINISH	
120		BRP	Bronze Paint
208		BLP	Black Paint
240		WP	White Paint
277		NP	Natural Aluminum Paint
		VP	Verde Green Paint
		OC	Optional Color Paint Specify RAL designation as ex: OC-RAL7024.
		SC	Special Color Paint Specify. Must supply color chip.

OPTIONS

- F Fusing
- SHD Internal 180° Shield
- DUP⁴ Duplex Receptacle
- GFCI⁴ GFCI Receptacle

4. BRM820 and BRM824 only. Available in 36" and 42" heights only. Weathertight, flush mounted in lower housing, and located a minimum of 18" above grade.

BOLLARD

BRM820/821/823 Dome Top Louver BRM824/825/827 Bevel Top Louver

SPECIFICATIONS

UPPER HOUSING: Diecast aluminum dome top secures to one-piece louvered casting with three (3) concealed tamper resistant screws.

LOWER HOUSING:

BRM820 / BRM824: Luminaire features a cylindrical .125" (.318 cm) wall 6063-T5 extruded aluminum base housing. Bottom section has a welded-in cast ring for attachment to base assembly with four (4) hex head set screws.

BRM821 / BRM825: Louver head assembly is affixed to ballast mounting bracket which is suitable for insertion into architectural elements (by others).

BRM 823 / BRM827: Luminaire includes a pre-cast concrete base constructed with steel molds and wire reinforcing. Base is acid-etched to provide a smooth textured aggregate finish.

OPTICAL SYSTEM: Louvers are angled to provide maximum spacings while shielding the source to 90°. Upper louver features a concealed hammertoned anodized aluminum reflector to increase luminaire efficiency and generate unstriated beam patterns. A fully gasketed Pyrex vessel enshrouds the lamp envelope and is secured with a stainless steel spring.

SOCKET: Medium base pulse-rated lampholder is glazed porcelain with nickel plated reinforced screw shell and spring loaded contact.

ANCHORAGE:

BRM820 / BRM824: Base assembly consists of a cast aluminum platform and ballast mounting bracket. Assembly is secured and leveled to the mounting foundation with four (4) 3/8" X 8" x 1 1/2" (.953 cm x 20.32 cm x 3.81 cm) anchor bolts on a 4 3/4" (12.07 cm) bolt circle. Ballast is prewired with quick electrical disconnects and mounting bracket is secured with two (2) Phillips head screws for ease of installation and servicing.

BRM 821 / BRM825: Mounting plate is cast aluminum with slots to accept anchor bolts (by others) at 90° on a 6 1/4" (15.88 cm) diameter bolt circle. A 4 1/2" (11.43 cm) diameter opening is required to house ballast assembly.

BRM823 / BRM827: Base assembly consists of four (4) galvanized steel base tabs fastened to pre-cast concrete base. Assembly is secured and leveled to the mounting foundation with four (4) 3/8" X 8" X 1 1/2" (.953 cm x 20.32 cm x 3.81 cm) anchor bolts on a 9 1/2" (24.13 cm) bolt circle. Base is designed for 5" (12.7 cm) direct burial

ELECTRICAL: Each high power factor HID ballast is the separate component type, capable of providing reliable lamp starting down to -20°F/-29°C. Fluorescent luminaires utilize electronic ballasts that are high power factor and designed for reliable lamp starting to 0°F/18°C. Smart fluorescent ballasts accept 26w, 32w and 42w in all voltages from 120 to 277, 50/60Hz. Sockets are high temperature PBT with brass contacts. Component-to-component wiring within the luminaire will carry no more than 80% of rated current and is listed by UL for use at 600 VAC at 150°C or higher. Plug disconnects are listed by UL for use at 600 VAC, 15A or higher.

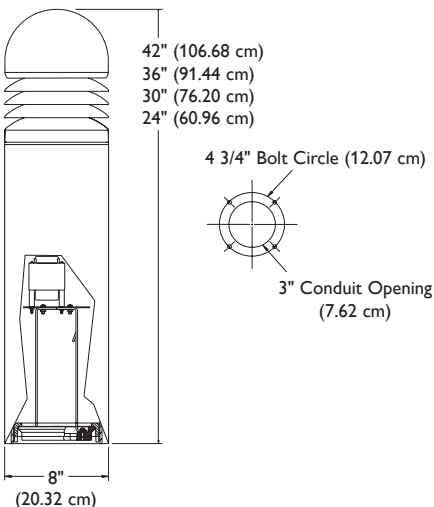
LUMINAIRE FINISH: Each luminaire receives a fade and abrasion resistant, electrostatically applied, thermally cured textured powdercoat finish

LABELS: All luminaires bear UL or CUL (where applicable) Wet Location labels.

WARRANTY: Philips Gardco luminaires feature a 5 year limited warranty. See Warranty Information on www.sitelighting.com for complete details and exclusions. Polycarbonate lenses carry a 1 year warranty only.

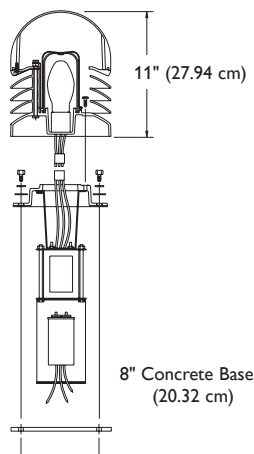
DIMENSIONS

BRM820 / BRM824

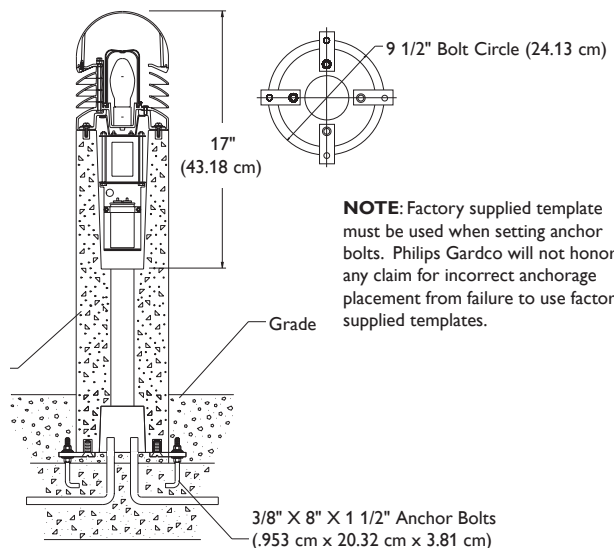


Stub-up Projection 3" Max. (7.32 cm)
Bolt Projection 1 1/2" ± 1/4" (3.71 cm ± .64 cm)

BRM821 / BRM825



BRM823 / BRM827



1611 Clovis Barker Road, San Marcos, TX 78666

(800) 227-0758 (512) 753-1000 FAX: (512) 753-7855 [sitelighting.com](http://www.sitelighting.com)

© 2011 Koninklijke Philips Electronics N.V. All Rights Reserved.

Philips Gardco reserves the right to change materials or modify the design of its product without notification as part of the company's continuing product improvement program.

79115-35/0511

PHILIPS

