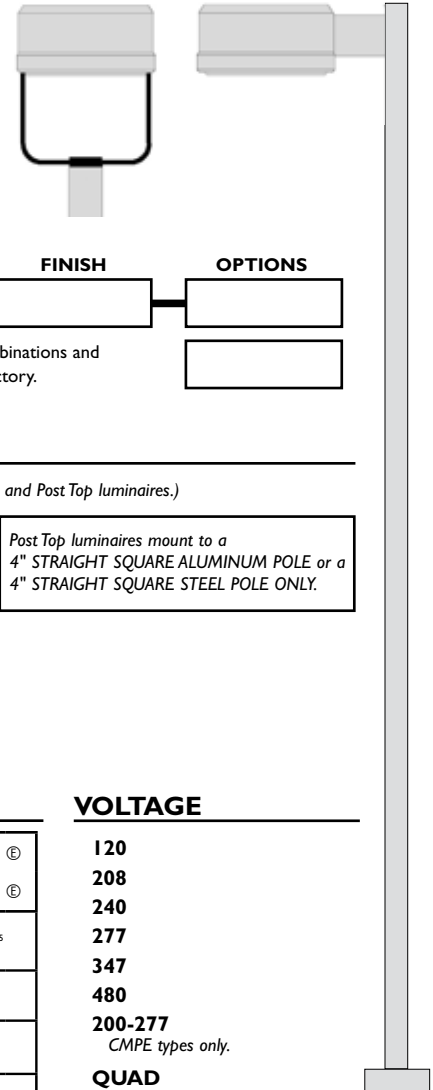


Job:
Type:
Notes:



Pedestrian and Area Luminaires

The Gardco Crown product family includes arm, wall, and post top mount cutoff luminaires utilizing CosmoPolis™ high performance ceramic metal halide electronic systems and suitable for high intensity discharge lamps up to 250 watts. Luminaires feature an extruded aluminum housing with die formed aluminum top, and a distinctive extruded aluminum crown. Post top units utilize the distinct Gardco single plane dual yoke. Luminaires are finished in a TGIC polyester powdercoat. Crown luminaires accept one of five (5) interchangeable and rotatable precision segmented optical systems. Flat glass lens luminaires provide full cutoff performance. Sag lens luminaires provide cutoff performance.



PREFIX	MOUNTING	DISTRIBUTION	WATTAGE	VOLTAGE	FINISH	OPTIONS
<input type="text"/>	<input type="text"/>	<input type="text"/>	<input type="text"/>	<input type="text"/>	<input type="text"/>	<input type="text"/>

Enter the order code into the appropriate box above. Note: Gardco reserves the right to refuse a configuration. Not all combinations and configurations are valid. Refer to notes below for exclusions and limitations. For questions or concerns, please consult the factory.

PREFIX

- CNA16** 16" Crown Arm Mounted Luminaire
- CNW16** 16" Crown Wall Mounted Luminaire
- CNP16** 16" Crown Post Top Luminaire

MOUNTING

- 1** Single Assembly (Use "1" for Wall Mounted and Post Top luminaires.)
- 2** Twin Pole Mount at 180°
- 2@90°** Twin Pole Mount at 90°
- 3¹** 3-way Pole Mount at 90°
- 3@120°** 3-way Pole Mount at 120°
- 4¹** 4-way Pole Mount

Post Top luminaires mount to a 4" STRAIGHT SQUARE ALUMINUM POLE or a 4" STRAIGHT SQUARE STEEL POLE ONLY.

1. Supplied with 9" arm.

DISTRIBUTION

Horizontal Lamp

- 1** Type I
- 3** Type III
- FM** Type IV
- Q** Type V

Vertical Lamp

- VS** Type V

Luminaires with Type VS optics are supplied with an acrylic sag lens. Optics require a medium base lamp. 200 W maximum.

WATTAGE

Pulse Start MH Magnetic Ballast	50MH²	100MH²	175PSMH² ⓔ
	70MH²	150MH²	200MH⁴ ⓔ
CosmoPolis™ Electronic System	60CMPE^{3,5}	90CMPE^{3,5}	140CMPE^{3,5}
Standard MH Magnetic Ballast*	175MH^{*4}	250MH^{*5}	
High Pressure Sodium Magnetic Ballast	70HPS⁴	100HPS⁴	150HPS⁴
* 175MH and 250MH not available for sale in the United States.			
ⓔ	Wattages marked with Circle "E" meet federal energy efficiency standards applicable to 150 watt through 500 watt metal halide luminaires only.		

- 2. Medium base lamp.
- 3. Available in 120V or 200 - 277V only. Not available with QS, QST, Q924 or QT924 options.
- 4. Utilizes medium base lamp in vertical optics.
- 5. Available in horizontal lamp optics only.

VOLTAGE

- 120**
- 208**
- 240**
- 277**
- 347**
- 480**
- 200-277**
CMPE types only.
- QUAD**
120/208/240/277V
wired to 277V.

1611 Clovis Barker Road, San Marcos, TX 78666
(800) 227-0758 (512) 753-1000 FAX: (512) 753-7855 sitelighting.com

© 2010 Koninklijke Philips Electronics N.V. All Rights Reserved.

Philips Gardco reserves the right to change materials or modify the design of its product without notification as part of the company's continuing product improvement program.

G200-01 I/0810

PHILIPS



FINISH

BRP	Bronze Paint
BLP	Black Paint
WP	White Paint
NP	Natural Aluminum Paint
OC	Optional Color Paint <i>Specify Optional Color or RAL ex: OC-LGP or OC-RAL7024.</i>
SC	Special Paint <i>Specify. Must supply color chip.</i>

OPTIONS

F	Fusing In Head
LF	In-Line/In-Pole Fusing
PC⁶	Photocontrol and Receptacle
PCR	Photocontrol Receptacle only
POLY⁷	Polycarbonate Sag Lens
HS⁸	Internal Houseside Shield
QS⁹	Quartz Standby
QST⁹	Quartz Standby - Timed Delay
Q924⁹	Quartz Emergency
QT924⁹	Quartz Emergency - Timed Delay

PTF2	Pole Top Fitter - 2 3/8" - 3" Dia. Tenon
PTF3	Pole Top Fitter - 3" - 3 1/2" Dia. Tenon
PTF4	Pole Top Fitter - 3 1/2" - 4" Dia. Tenon
GMR¹⁰	Provision for Gardco Motion Response
L6¹¹	LumiStep™ Ballast 6 hour
L8¹¹	LumiStep™ Ballast 8 hour
L10¹¹	LumiStep™ Ballast 10 hour

6. Not available with 480V. Provide specific input voltage.

7. In lieu of flat glass. Polycarbonate shields carry 1 year warranty only.

8. Supplied standard on FM optics.

9. See QS / Q924 Table.

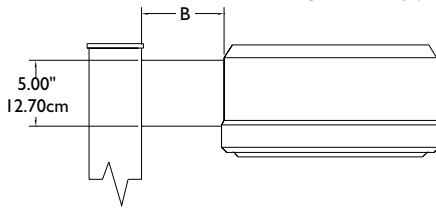
10. Available only with 150HPS, 175PSMH or 200MH wattages only. Includes dual-level capacitor and wiring to connect to Gardco Motion Response System.

11. Available with CosmoPolis™ system only. See submittal sheet GE200-005 for complete information on LumiStep™ ballasts.

(Note 9) QS / Q924 Table	
HID Lamp Watts	Maximum Quartz Lamp Watts
All	100 Watts
Crown luminaires limited to 100 watt quartz lamp maximum regardless of HID wattage.	

DIMENSIONS AND EPA

CNA16 Housing = 16.58" sq. (41.12cm) by 8.50" height (21.59cm)



Dimension B:

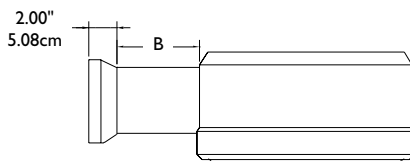
Single or Twin:
6.00" (15.24cm)

3 or 4 Way:
9.00" (22.86cm)

EPA Data			
Size	Single	Twin	3/4
CNA16	1.41 ft ² .131 m ²	2.82 ft ² .262 m ²	5.50 ft ² .511 m ²
CNP16	1.31 ft ² .122 m ²	N/A	N/A

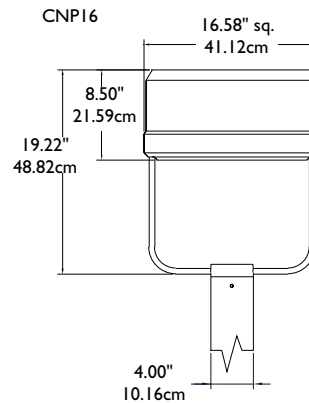
Approximate Weights	
Size	Single
CNA16	33 lbs 15.0 kg
CNW16	33 lbs 15.0 kg
CNP16	35 lbs 15.9 kg

CNW16 Housing = 16.58" sq. (41.12cm) by 8.50" height (21.59cm)



Dimension B:

6.00" (15.24cm)



1611 Clovis Barker Road, San Marcos, TX 78666

(800) 227-0758 (512) 753-1000 FAX: (512) 753-7855 sitelighting.com

© 2010 Koninklijke Philips Electronics N.V. All Rights Reserved.

Philips Gardco reserves the right to change materials or modify the design of its product without notification as part of the company's continuing product improvement program.

G200-011/0810

PHILIPS

GARDCO

SPECIFICATIONS

GENERAL: Each Gardco Crown luminaire is a cutoff luminaire for high intensity discharge lamps. Luminaires feature an extruded aluminum housing with die formed aluminum top, and a distinctive extruded aluminum crown. Post top units utilize the distinct Gardco single plane dual yoke. Internal components are totally enclosed, rain-tight, dust-tight and corrosion resistant. No venting of optical system or electrical components is required or permitted. Lamping requires no lifting or hinging of the luminaire housing, disturbing wiring or exposing uninsulated live parts.

HOUSING: Crown Series housings are comprised of an extruded aluminum housing with die formed aluminum top, and a distinctive extruded aluminum crown. Pressure injected silicone and solid silicone gasketing provide a continuous weathertight seal at all miters and points of material transition.

ARM: Extruded aluminum arm is prewired and secured to luminaire by contractor.

YOKE: The 9/16" (1.42cm) diameter parallel yokes of high strength, low mass schedule 40 steel are precision contoured to match the CP or MP housing silhouette. The yoke is electrogalvanized and coated with satin black polyurethane. Yoke assembly mounts to a 4" Straight Square Steel pole or a 4" Straight Square Aluminum pole only.

WALL MOUNTING: Wall mounted units include the mounting arm and a hooking die cast aluminum wall bracket that hinges on a mounting plate.

LENS: Lens is optically clear, heat and impact resistant tempered flat glass, sealed to the housing.

OPTICAL SYSTEMS: The segmented Form Ten optical system is homogeneous sheet aluminum, electrochemically brightened, anodized and sealed. The segmented reflectors are set in faceted arc tube image duplicator patterns to achieve IES Types I (1), III (3), IV (FM) , and V (Q and VS) distributions. The mogul base lampholder is glazed porcelain with a nickel plated screw shell with lamp grip-all securely attached to the reflector assembly. Medium base lampholders provided in 150 watt and lower Metal Halide.

ELECTRICAL: Each high power factor HID core and coil ballast is the separate component type. For luminaires provided with CosmoPolis™, each high power factor ballast is electronic, designed specifically for the CosmoPolis™ high performance ceramic metal halide electronic system. Core and coil and electronic ballasts are capable of providing reliable lamp starting down to -20°F/-29°C. The ballast is mounted on a unitized tray and secured within the luminaire. Component-to-component wiring within the luminaire will carry no more than 80% of rated current and is listed by UL for use at 600 VAC at 301°F/150°C or higher. Plug disconnects are listed by UL for use at 600 VAC, 15A or higher.

FINISH: Each standard color luminaire receives a fade and abrasion resistant, electrostatically applied, thermally cured, triglycidal isocyanurate (TGIC) textured polyester powdercoat finish. Standard colors are as listed. Consult factory for specs on optional or special colors.

LABELS: All luminaires bear UL or CUL (where applicable) Wet Location labels.

WARRANTY: Gardco luminaires feature a 5 year limited warranty. See Warranty Information on www.sitelighting.com for complete details and exclusions. Polycarbonate lenses carry a 1 year warranty only.

FULL CUTOFF PERFORMANCE: Full cutoff performance means a luminaire distribution where zero candela intensity occurs at an angle at or above 90° above nadir. Additionally, the candela per 1000 lamp lumens does not numerically exceed 100 (10 percent) at a vertical angle of 80° above nadir. This applies to all lateral angles around the luminaire.

CUTOFF PERFORMANCE: Cutoff performance means a luminaire distribution where the candela per 1000 lamp lumens does not numerically exceed 25 (2.5 percent) at an angle at or above 90° above nadir, and 100 (10 percent) at a vertical angle of 80° above nadir. This applies to all lateral angles around the luminaire.

1611 Clovis Barker Road, San Marcos, TX 78666

(800) 227-0758 (512) 753-1000 FAX: (512) 753-7855 [sitelighting.com](http://www.sitelighting.com)

© 2010 Koninklijke Philips Electronics N.V. All Rights Reserved.

Philips Gardco reserves the right to change materials or modify the design of its product without notification as part of the company's continuing product improvement program.

G200-011/0810

PHILIPS

 **GARDCO**