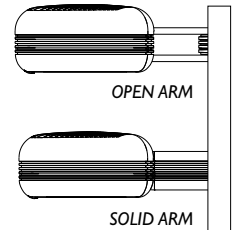


Job:  
Type:  
Notes:



# CTA Arm Mount and CTB Wall Mount Area Luminaires

The Gardco arm mounted and wall mounted Contura products are cutoff luminaires utilizing CosmoPolis™ high performance ceramic metal halide electronic systems and suitable for high intensity discharge lamps up to 400 watts. Luminaires are manufactured from die cast aluminum and finished in an TGIC polyester powdercoat. Contura luminaires can accept one of five (5) interchangeable and rotatable precision segmented optical systems. Luminaires are available with the unique Gardco open arm, or with a stylized solid arm. Flat glass lens luminaires provide full cutoff performance.



PREFIX	ARM STYLE	MOUNTING	DISTRIBUTION	WATTAGE	VOLTAGE	FINISH	OPTIONS

Enter the order code into the appropriate box above. Note: Gardco reserves the right to refuse a configuration. Not all combinations and configurations are valid. Refer to notes below for exclusions and limitations. For questions or concerns, please consult the factory.

### PREFIX

- CTA17**<sup>1</sup> 17" Contura - Arm Mount Luminaire
- CTB17** 17" Contura - Wall Mount Luminaire
- CTA21**<sup>2</sup> 21" Contura - Arm Mount Luminaire
- CTB21** 21" Contura - Wall Mount Luminaire

### ARM STYLE

- O** Open Arm
- S** Solid Arm

### MOUNTING

- 1** Single Pole Mount
- 2** Twin Pole Mount at 180°
- 2@90** Twin Pole Mount at 90°
- 3** 3-way Pole Mount at 90°
- 3@120°** 3-way Pole Mount at 120°
- 4** 4-way Pole Mount
- W** Wall Mount, Recessed J-Box
- WS** Wall Mount, Surface Conduit

1. Standard arm length is 6" (15.24 cm). Longer, 9" arms (O9/S9) and 12" arms (O12/S12) are available. See Extended Arm options and CTA Arm Mounting Matrix on page 2.  
2. Standard arm length is 9" (22.86 cm). Longer, 12" arm (O12/S12) is available. See Extended Arm options and CTA Arm Matrix on page 2.

### DISTRIBUTION

- 17" Contura**
- 2XL** Type II
  - 3XL** Type III
  - 4XL** Type IV
- 21" Contura**
- I** Type I
  - 2XL** Type II
  - 3XL** Type III
  - 4XL** Type IV
  - BLC** Backlight Control
  - Q** Type V

All distributions feature horizontal lamp position.

### WATTAGE

	17" Contura	21" Contura	
Pulse Start MH Magnetic Ballast	100MH <sup>3</sup> 150MH <sup>3</sup>	200MH <sup>ⓔ</sup> 250PSMH <sup>ⓔ</sup> 250PS90** <sup>ⓔ</sup>	320PSMH <sup>4</sup> <sup>ⓔ</sup> 350PSMH <sup>4</sup> <sup>ⓔ</sup> 400PSMH <sup>4</sup> <sup>ⓔ</sup>
CosmoPolis™ Electronic System	60CMPE <sup>5</sup>	90CMPE <sup>5</sup>	140CMPE <sup>5</sup>
Standard MH Magnetic Ballast*	175MH <sup>3</sup> *	250MH <sup>*</sup>	400MH <sup>*4</sup>
High Pressure Sodium Magnetic Ballast	100HPS <sup>3</sup> 150HPS <sup>3</sup>	250HPS	400HPS
* 175MH, 250MH and 400MH not available for sale in the United States.			
** 250 watt Pulse Start Metal Halide with a 90% efficient magnetic ballast. Complies with California Title 20 effective 1/1/2010. Available in 120, 208, 240 or 277V only.			
Wattages marked with Circle "E" meet federal energy efficiency standards applicable to 150 watt through 500 watt metal halide luminaires only.			

### VOLTAGE

- 120
- 208
- 240
- 277
- 347
- 480
- 200-277**  
CMPE types only.
- QUAD**  
120/208/240/277V  
wired to 277V.

3. Medium base lamp.  
4. Requires E28/BT28 lamp.  
5. 120V or 200 - 277V only. CosmoPolis™ systems are supplied with lamp. Not available with QS, QST, Q924 or QT924 options.

1611 Clovis Barker Road, San Marcos, TX 78666  
(800) 227-0758 (512) 753-1000 FAX: (512) 753-7855 [sitelighting.com](http://sitelighting.com)

© 2010 Koninklijke Philips Electronics N.V. All Rights Reserved.

Philips Gardco reserves the right to change materials or modify the design of its product without notification as part of the company's continuing product improvement program.

G200-007/1010

**PHILIPS**



# CTA Arm Mount and CTB Wall Mount Area Luminaires

## FINISH

<b>BRP</b>	Bronze Paint
<b>BLP</b>	Black Paint
<b>BGP</b>	Beige Paint
<b>WP</b>	White Paint
<b>NP</b>	Natural Aluminum Paint
<b>LSP</b>	Light Sandstone Paint
<b>DSP</b>	Dark Sandstone Paint
<b>RBP</b>	Red Brick Paint
<b>LGP</b>	Light Granite Paint
<b>DGP</b>	Dark Granite Paint
<b>OC</b>	Optional Color Paint Specify <i>Optional Color</i> or RAL ex: OC-LGP or OC-RAL7024.
<b>SC</b>	Special Paint Specify. <i>Must supply color chip.</i>

## OPTIONS

<b>F</b>	Fusing In Head
<b>LF</b>	In-Line/In-Pole Fusing
<b>PC<sup>6</sup></b>	Photocontrol and Receptacle
<b>PCR</b>	Photocontrol Receptacle only
<b>POLY<sup>7</sup></b>	External Polycarbonate Shield
<b>HS</b>	Internal Houseside Shield
<b>QS<sup>8</sup></b>	Quartz Standby
<b>QST<sup>8</sup></b>	Quartz Standby - Timed Delay
<b>Q924<sup>8</sup></b>	Quartz Emergency
<b>QT924<sup>8</sup></b>	Quartz Emergency - Timed Delay
<b>O6<sup>9</sup></b>	6" Open Arm
<b>O9<sup>9</sup></b>	9" Extended Open Arm
<b>O12<sup>9</sup></b>	12" Extended Open Arm
<b>S6<sup>9</sup></b>	6" Solid Arm
<b>S9<sup>9</sup></b>	9" Extended Solid Arm
<b>S12<sup>9</sup></b>	12" Extended Solid Arm

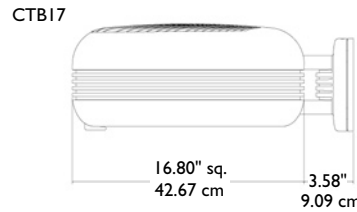
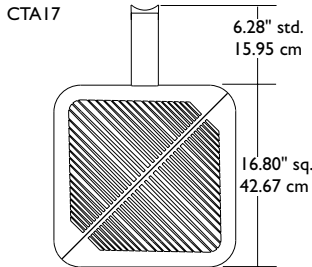
<b>PTF2</b>	Pole Top Fitter - 2 3/8" - 3" Dia. Tenon
<b>PTF3</b>	Pole Top Fitter - 3" - 3 1/2" Dia. Tenon
<b>PTF4</b>	Pole Top Fitter - 3 1/2" - 4" Dia. Tenon
<b>GMR<sup>10</sup></b>	Provision for Gardco Motion Response
<b>TB</b>	Terminal Block
<b>L6<sup>11</sup></b>	LumiStep™ Ballast 6 hour
<b>L8<sup>11</sup></b>	LumiStep™ Ballast 8 hour
<b>L10<sup>11</sup></b>	LumiStep™ Ballast 10 hour

(Note 8) QS / Q924 Table	
HID Lamp Watts	Maximum Quartz Lamp Watts
175 watts or less	100 Watts
Above 175 watts up to 400 watts	150 Watts
17" luminaires limited to 100 watt quartz lamp maximum regardless of HID wattage.	

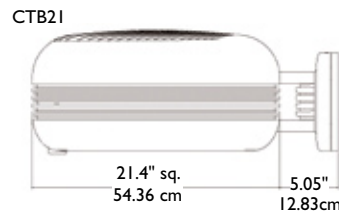
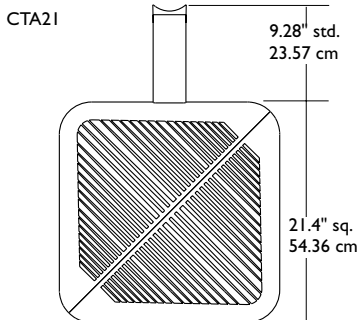
- 6. Not available with 480V. Provide specific input voltage.
- 7. Polycarbonate shields carry 1 year warranty only.
- 8. See QS / Q924 Table.
- 9. See CTA Arm Mounting Matrix for restrictions.
- 10. Available only with CTA17, 150HPS, or CTA21, 250PSMH through 400PSMH and 250HPS through 400HPS wattages. Includes dual-level capacitor and wiring to connect to Gardco Motion Response System.
- 11. Available with CosmoPolis™ system only. See submittal sheet GE200-005 for complete information on LumiStep™ ballasts.

(Note 9) CTA Arm Mounting Matrix		
ARM	CTA17	CTA21
6" Arm	Standard (O9 / S9 or O12 / S12 Options required for 2@90°, 3@90° or 4@90° mounting if Pole OD less than 4".)	O6 or S6 Options (Available for Single or 2@180° mounting only.)
9" Arm	Specify O9 or S9 Options	Standard
12" Arm	Specify O12 or S12 Options	Specify O12 or S12 Options
Note: 3.5" Minimum Pole OD required for all direct arm mounting. 12" is maximum arm length available for Contura.		

## DIMENSIONS AND EPA



EPA's			
Size	Single	Twin	3/4
CTA17	0.7 ft² .07 m²	1.4 ft² .13 m²	2.1 ft² .20 m²
CTA21	1.2 ft² .11 m²	2.4 ft² .22 m²	3.6 ft² .33 m²



Approximate Weights	
Size	Single
CTA17	42 lbs 19.1 kg
CTB17	43 lbs 19.5 kg
CTA21	56 lbs 25.4 kg
CTB21	58 lbs 26.3 kg

1611 Clovis Barker Road, San Marcos, TX 78666  
(800) 227-0758 (512) 753-1000 FAX: (512) 753-7855 [sitelighting.com](http://sitelighting.com)

© 2010 Koninklijke Philips Electronics N.V. All Rights Reserved.

Philips Gardco reserves the right to change materials or modify the design of its product without notification as part of the company's continuing product improvement program.

G200-007/1010

**PHILIPS**



**SPECIFICATIONS**

**GENERAL:** Each Gardco Contura is a cutoff luminaire for high intensity discharge lamps. Units are designed with half-cube proportions. Internal components are totally enclosed, rain-tight, dust-tight and corrosion resistant. No venting of optical system or electrical components is required or permitted. Lamping requires no lifting or hinging of the luminaire housing, disturbing wiring or exposing uninsulated live parts.

**HOUSING:** Contura housings are comprised of a two piece low-profile die cast aluminum housing with raised reveals and a single concealed joint. Pressure injected silicone and solid silicone gasketing provide a continuous weathertight seal at all miters and points of material transition.

**ARM:** The mounting arm consists of two aluminum extrusions and a die cast pole adapter. 3/8" (.95cm) diameter tie rods run through an integral channel within the extrusions for maintaining housing to pole alignment.

**WALL MOUNTING:** Wall mounted units include the mounting arm and a hooking die cast aluminum wall bracket that hinges on a die cast mounting plate.

**LENS:** Lens is optically clear, heat and impact resistant tempered flat glass, sealed to the housing.

**OPTICAL SYSTEMS:** The segmented optical systems are manufactured from homogenous sheet aluminum which has been electrochemically brightened, anodized and sealed. The multifaceted arc image duplicating systems are designed to produce IES Types I (I), II (2XL), III (3XL), IV (4XL), and V (Q). With the 2XL, 3XL and 4XL luminaries, the reflector facets form a conical fan around the arc tube with each facet positioned to be precisely tangent to the top of the arc tube. The lampholder is glazed porcelain with a nickel plated screw shell. HID luminaires feature porcelain lampholders.

**ELECTRICAL:** Each high power factor HID core and coil ballast is the separate component type. For luminaires provided with CosmoPolis™, each high power factor ballast is electronic, designed specifically for the CosmoPolis™ high performance ceramic metal halide electronic system. Ballasts are capable of providing reliable lamp starting down to -20°F/-29°C. The ballast is mounted on a unitized tray and secured within the luminaire, above the reflector system. Component-to-component wiring within the luminaire will carry no more than 80% of rated current and is listed by UL for use at 600 VAC at 301°F/150°C or higher. Plug disconnects are listed by UL for use at 600 VAC, 15A or higher.

**FINISH:** Each standard color luminaire receives a fade and abrasion resistant, electrostatically applied, thermally cured, triglycidal isocyanurate (TGIC) textured polyester powdercoat finish. Standard colors are as listed. Consult factory for specs on optional or special colors.

**LABELS:** All luminaires bear UL or CUL (where applicable) Wet Location labels.

**WARRANTY:** Gardco luminaires feature a 5 year limited warranty. See Warranty Information on [www.sitelighting.com](http://www.sitelighting.com) for complete details and exclusions. Polycarbonate lenses and shields carry a 1 year warranty only.

**FULL CUTOFF PERFORMANCE:** Full cutoff performance means a luminaire distribution where zero candela intensity occurs at an angle at or above 90° above nadir. Additionally, the candela per 1000 lamp lumens does not numerically exceed 100 (10 percent) at a vertical angle of 80° above nadir. This applies to all lateral angles around the luminaire.

**CUTOFF PERFORMANCE:** Cutoff performance means a luminaire distribution where the candela per 1000 lamp lumens does not numerically exceed 25 (2.5 percent) at an angle at or above 90° above nadir, and 100 (10 percent) at a vertical angle of 80° above nadir. This applies to all lateral angles around the luminaire.

1611 Clovis Barker Road, San Marcos, TX 78666

(800) 227-0758 (512) 753-1000 FAX: (512) 753-7855 [sitelighting.com](http://www.sitelighting.com)

© 2010 Koninklijke Philips Electronics N.V. All Rights Reserved.

Philips Gardco reserves the right to change materials or modify the design of its product without notification as part of the company's continuing product improvement program.

G200-007/1010

**PHILIPS**

 **GARDCO**