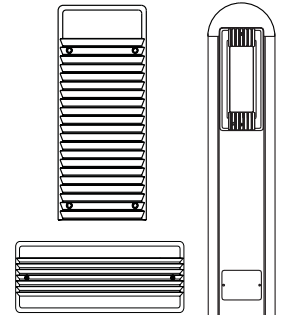


Job:
 Type:
 Notes:

94 Line

942 and 943 Step and Aisle Lights

The Philips Gardco 942 and 943 recessed aisle lights are architecturally styled luminaires precisely constructed of die cast aluminum. The horizontally mounted 942 and vertically mounted 943 were specifically designed to incorporate long-life compact fluorescent lamps and low wattage H.I.D. sources to 100W. A field adjustable junction box further enhances its design flexibility. Self-compensating silicone gasketing completely excludes moisture, insects and contaminants. A choice of (3) architecturally designed faceplates allows for a variety of applications. The ribbed guard option offers vandal protection for glass lenses.



Enter the order code into the appropriate box above. Omit WALL TYPE for 943B25 and 943B40. Note: Philips Gardco reserves the right to refuse a configuration. Not all combinations and configurations are valid. Refer to notes below for exclusions and limitations. For questions or concerns, please consult the factory.

PREFIX

- 942** Horizontal
- 943** Vertical
- 943B25** 943 Mounted in 25" Bollard
- 943B40** 943 Mounted in 40" Bollard

NOTE: Back housings for concrete pour applications (Types C) are available for pre-shipment. Contact factory for details.

WALL TYPE

- D** Drywall
 Not suitable for concrete pour applications. Also, if insulating material is present, it must be kept at least 3" away from luminaire. Type D units are thermally protected.
- C** Concrete Pour
 Suitable for concrete pour applications only.

NOTE: **WALL TYPE** applies to 942 and 943 only. Omit for 943B25 and 943B40.

LAMP

- | D Type | | C Type and 943B25/B40 | |
|----------------------------|-------------------------------|----------------------------|-------------------------------|
| 35 HPS ¹ | (2)I3TF | 35 HPS ¹ | (2)I3TF |
| 50 HPS | 26QF ^{2,3} | 50 HPS | 26QF ^{2,3} |
| 50 MH | (2)26QF ^{2,3} | 70 HPS | (2)26QF ^{2,3} |
| | 32TRF ^{2,3} | 100 HPS | 32TRF ^{2,3} |
| | 42TRF ^{2,3} | 50 MH | 42TRF ^{2,3} |
| | | 70 MH | (2)100INC ¹ |
| | | 100 MH | |

TF Twin Tube Fluorescent MH Metal Halide
 QF Quad Tube Fluorescent HPS High Pressure Sodium
 TRF Triple Tube Fluorescent INC Incandescent

1. 120V only
2. Suitable for -20°F starting temperature
3. 26QF, 32TRF and 42TRF types feature an electronic fluorescent ballast that accepts 120V through 277V, 50hz or 60hz input.

FACEPLATES

- 942**
- LV** Louver
- DG** Diffuse Glass
- PG** Prismatic Glass
- RGD** Ribbed Guard with Diffuse Glass
- RGP** Ribbed Guard with Prismatic Glass

- 943**
- LV** Louver
- DG** Diffuse Glass
- RGD** Ribbed Guard with Diffuse Glass

VOLTAGE

- 120**
 - 277**
 - UNIV**⁴
4. 26QF, 32TRF and 42TRF types feature an electronic fluorescent ballast that accepts 120V through 277V, 50hz or 60hz input. Specify "UNIV" for 120V through 277V on these wattages.

FINISH

- BLP** Black Paint
- BRP** Bronze Paint
- WP** White Paint
- NP** Natural Aluminum Paint
- OC** Optional Color Paint
 (Specify RAL designation. ex: OC-RAL7024)
- SC** Special Color Paint
 (Specify. Must supply color chip)

OPTIONS

- F** Fusing

1611 Clovis Barker Road, San Marcos, TX 78666
 (800) 227-0758 (512) 753-1000 FAX: (512) 753-7855 sitelighting.com

© 2011 Koninklijke Philips Electronics N.V. All Rights Reserved.

Philips Gardco reserves the right to change materials or modify the design of its product without notification as part of the company's continuing product improvement program.

79115-1110/0411

PHILIPS



SPECIFICATIONS

GENERAL: The Philips Gardco 942 and 943 recessed aisle lights are architecturally styled luminaires precisely constructed of die cast aluminum. The horizontally mounted 942 and vertically mounted 943 are specifically designed to incorporate long-life compact fluorescent lamps and low wattage H.I.D. sources to 100W. A field-adjustable junction box further enhances its design flexibility. Self-compensating silicone gasketing completely excludes moisture, insects and contaminants. A choice of (3) architecturally designed faceplates allows for a variety of applications. The ribbed guard option offers vandal protection for glass lenses.

FACEPLATE: All faceplates are constructed of one piece die cast aluminum and are secured to the housing with two (2) recessed and captive hex head socket screws. Integral spring clips ensure positive grounding. Self-compensating single-piece silicone gasketing completely seals the luminaire and allows for varying wall thicknesses.

LOUVER: Die cast louvers span the entire length of the faceplate, providing for vandal resistance and glare control.

DIFFUSE GLASS: The faceplate includes a 3/16" thick diffuse white opal flat tempered glass lens. The lens is internally sealed and mounted and provides a soft, uniform glow.

PRISMATIC GLASS: A 3/8" thick prismatic glass lens, internally sealed and mounted, refracts light forward and downward.

RIBBED GUARD: 90° die cast louvers span the entire length of the faceplate over either a prismatic (942 only) or diffuse glass lens.

HOUSING: The housing is corrosion-resistant die cast aluminum.

J-BOX: The field convertible junction box is die cast aluminum. It is shipped factory-mounted to the back of housing. The box can be easily positioned on the bottom of the luminaire via two (2) phillips head screws. Each J-box includes three (3) threaded openings (one on each side and one on the bottom) that accommodate 3/4" conduit.

ELECTRICAL:

FLUORESCENT UNITS: High power factor ballast is provided standard.

HID UNITS: Magnetic high power factor ballast is supplied standard.

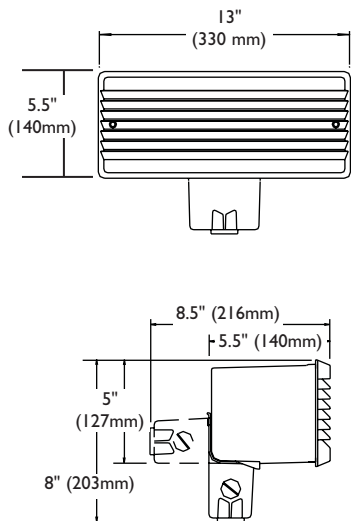
INCANDESCENT UNITS: Luminaires are provided with a medium base socket with nickel plated screw shell.

FINISH: Each standard color luminaire receives a fade and abrasion resistant, electrostatically applied, thermally cured, triglycidal isocyanurate (TGIC) textured polyester powdercoat finish. Standard colors include bronze (BRP), black (BLP), white (WP), and natural aluminum (NP). Consult factory for specifications on custom colors.

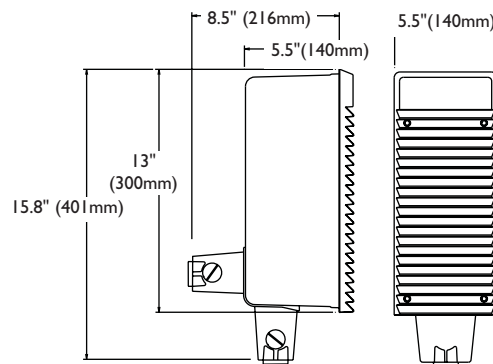
LABELS: All luminaires bear either UL or CUL (where applicable) Wet Location labels.

WARRANTY: Philips Gardco luminaires feature a 5 year limited warranty. See Warranty Information on www.sitelighting.com for complete details and exclusions. Polycarbonate lenses carry a 1 year warranty only.

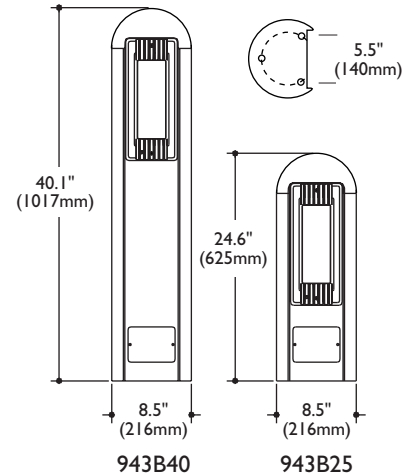
DIMENSIONS



942 Dimensions



943 Dimensions



1611 Clovis Barker Road, San Marcos, TX 78666
(800) 227-0758 (512) 753-1000 FAX: (512) 753-7855 [sitelighting.com](http://www.sitelighting.com)

© 2011 Koninklijke Philips Electronics N.V. All Rights Reserved.

Philips Gardco reserves the right to change materials or modify the design of its product without notification as part of the company's continuing product improvement program.

79115-110/0411

PHILIPS

