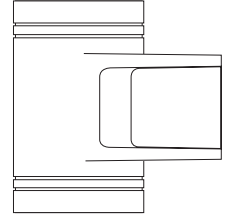


Job:
Type:
Notes:

Cylinders

The Philips Gardco 301 Line is a series of high performance up/down wall mounted cylinders. Each luminaire utilizes a single high intensity discharge lamp and provides illumination above and below. Housings are diecast aluminum with twin architectural reveals at both the lower and upper apertures. Six (6) downlight and two (2) uplight optical systems are available. The unique optional "Spike" downlight and/or uplight distribution creates a dramatic narrow stripe of illumination on the wall or column. Luminaires are finished with a fade and abrasion resistant polyester powder coat offered in 5 standard colors. 301D luminaires provide downlight only. 301D luminaires provide full cutoff performance.



PREFIX	MODEL	MOUNTING	TRIMS	LAMP	VOLTAGE	FINISH	OPTIONS

Enter the order code into the appropriate box above. Note: Philips Gardco reserves the right to refuse a configuration. Not all combinations and configurations are valid. Refer to notes below for exclusions and limitations. For questions or concerns, please consult the factory.

PREFIX		MODEL		MOUNTING		TRIMS	
301	Uplight and Downlight	E	Fully Enclosed	W	Wall Mount	Fully Enclosed "E" Units Only	
		O	Open Downlight			L	Obscuring lens on uplight and downlight (300.) Obscuring lens on downlight (301D.) Soft symmetrical distributions.
301D	Downlight Only					LL	Egg crate louvers and obscuring lens on downlight (301,301D.) Obscuring lens on uplight (301.)
						SD	Spike downlight distribution (301, 301D.) Obscuring lens on uplight (301.)
						SU	Spike uplight distribution, with obscuring lens on downlight (301.) Not Available in 301D.
						SB	Spike uplight and downlight distributions (301.) Not available in 301D.
						FT	Forward throw downlight distributions (301, 301D.) Soft uplight glow (301.) FT Trims utilize T6 lamps. Lamps are supplied with the luminaire.
						Open Downlight "O" Units Only	
						R	Reflector produces medium downlight distribution with sharp cutoff to lamp and images(301, 301D.) Obscuring lens on uplight (301.)
						B	Black baffled downlight (301, 301D.) Obscuring lens on uplight (301.)

LAMP		VOLTAGE	
Fully Enclosed "E" Units <i>(Not available with FT Trims)</i>	Open Downlight "O" Units	120	
50MH'	50MH'	208	
70MH	70MH	240	
100MH	100MH	277	
150MH	150MH	347	
50HPS	50HPS		
70HPS	70HPS		
100HPS	100HPS		
150HPS'	150HPS		
FT Trims Only	<i>MH Metal Halide HPS High Pressure Sodium</i>		
T70MH	<i>1. Not available with 347V.</i>		
T150MH	<i>2. Contact factory for availability of 150HPS with SD, SU or SB Trims.</i>		

FINISH		OPTIONS	
BRP	Bronze Paint	WP	White Paint
BLP	Black Paint	NP	Natural Aluminum Paint
WP	White Paint	BGP	Beige Paint
OC	Optional Color Paint <i>Specify RAL designation ex: OC-RAL7024.</i>	VP	Verde Green Paint
SC	Special Color Paint <i>Specify. Must supply color chip.</i>	F	Fusing
		RCA	Round Column Mounting Adapter
		WS	Wall Mounted J-Box for Surface Conduit

1611 Clovis Barker Road, San Marcos, TX 78666
 (800) 227-0758 (512) 753-1000 FAX: (512) 753-7855 sitelighting.com
 © 2011 Koninklijke Philips Electronics N.V. All Rights Reserved.
 Philips Gardco reserves the right to change materials or modify the design of its product without notification as part of the company's continuing product improvement program.
 79115-112/0711



SPECIFICATIONS

HOUSINGS: Housings are single-piece diecast aluminum cylindrical forms with integral side wall mounting canopy / ballast chambers. Provided mounting brackets are galvanized steel.

OPTICAL SYSTEMS: 301, 301D

Lens (L): The uplight and downlight components both utilize twin (four total per luminaire) spun specular Alzak reflectors which provide the symmetrical distributions. The uplight-obscuring lens (301) is flush mounted and the downlight-obscuring lens is regressed. The lenses soften the distribution and conceal the optical system and internal hardware. 301D luminaires provide downlight only with the uplight lens replaced with an aluminum insert.

Louvers (LL): Diecast aluminum egg crate louvers are installed over the downlight-obscuring lens. All other optical elements are as described in the Lens (L) option. 301D luminaires provide downlight only with the uplight lens replaced with an aluminum insert.

Spike Downlight (SD): Inner and outer spun specular Alzak reflectors provide a very narrow spot beam at nadir. Uplight optical system (301) is as described in the Lens (L) option. 301D luminaires provide downlight only with the uplight lens replaced with an aluminum insert.

Spike Uplight (SU): Inner and outer spun specular Alzak reflectors provide a very narrow spot at zenith. Downlight optical system is as described in the Lens (L) option. Not available in the 301D.

Spike Both Uplight and Downlight (SB): Two sets of inner and outer spun specular Alzak reflectors provide very narrow spot beams at nadir and zenith. Not available in the 301D.

Reflector (R): Spun specular Alzak reflector produces a medium symmetrical downlight distribution with sharp cutoff to lamp and lamp images. Uplight optical system (301) is as described in the Lens (L) option. 301D luminaires provide downlight only with the uplight lens replaced with an aluminum insert.

Baffle (B): Upper spun specular Alzak reflector and lower black baffle produce a medium symmetrical downlight distribution with exceptional control of high angle brightness. Uplight optical system (301) is as described in the Lens (L) option. 301D luminaires provide downlight only with the uplight lens replaced with an aluminum insert.

Forward Throw (FT) Faceted specular Alzak reflector system produces an asymmetric forward projecting distribution. Secondary optical system (301) with obscuring lens produces a soft uplight glow. 301D luminaires provide downlight only with the uplight lens replaced with an aluminum insert.

ELECTRICAL:

All luminaires utilize magnetic HID ballasts that are high power factor and designed for reliable lamp starting to -20° F. Pulse rated sockets are glazed porcelain with nickel plated screw shells.

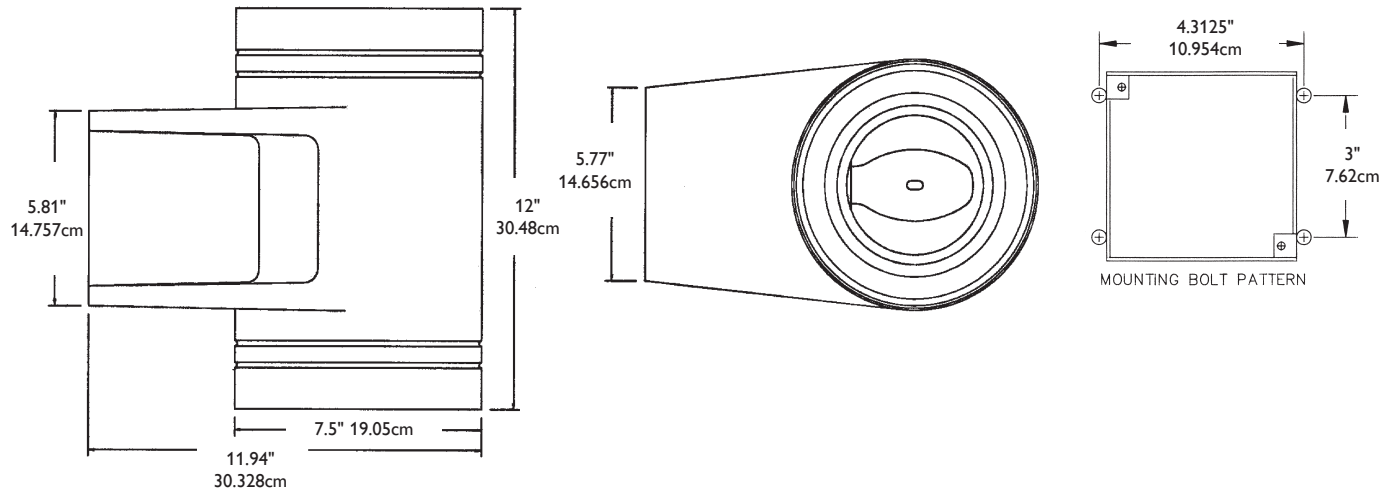
FINISH:

Each luminaire receives a fade and abrasion resistant electrostatically applied, thermally cured, (TGIC) polyester powder coat finish. Standard finishes are textured.

LABELS: All luminaires bear UL or CUL (where applicable) Wet Location labels.

WARRANTY: Philips Gardco luminaires feature a 5 year limited warranty. See Warranty Information on www.sitelighting.com for complete details and exclusions. Polycarbonate lenses carry a 1 year warranty only.

DIMENSIONS



1611 Clovis Barker Road, San Marcos, TX 78666

(800) 227-0758 (512) 753-1000 FAX: (512) 753-7855 [sitelighting.com](http://www.sitelighting.com)

© 2011 Koninklijke Philips Electronics N.V. All Rights Reserved.

Philips Gardco reserves the right to change materials or modify the design of its product without notification as part of the company's continuing product improvement program.

79115-112/0711

PHILIPS

GARDCO