

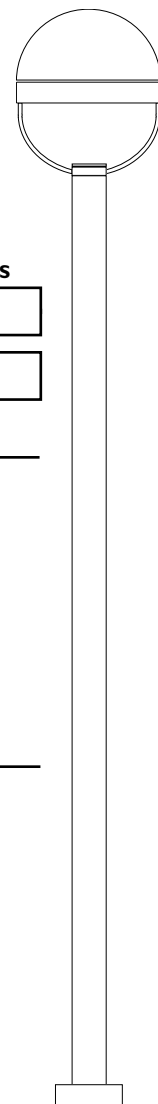
Job:  
Type:  
Notes:



# Glowtop

## CPG / MPG / MPGL Post Top Mount

The Gardco post top mounted Glowtop Form 10 products are cylindrical (CPG) or semi-spherical (MPG) cutoff luminaires for the high performance CosmoPolis™ high performance electronic ceramic metal halide system. Glowtops are also available for high intensity discharge lamps up to 200 watts Pulse Start Metal Halide or 150 watts High Pressure Sodium. Translucent top section provides a soft uplight glow. Lantern style (MPGL) unit features a cast crown creating a classic architectural form. Luminaires can accept one of four (4) interchangeable and rotatable precision segmented optical systems.



Glowtop luminaires provide cutoff performance.

PREFIX	MOUNTING	DISTRIBUTION	WATTAGE	VOLTAGE	FINISH	OPTIONS

Enter the order code into the appropriate box above. Note: Gardco reserves the right to refuse a configuration. Not all combinations and configurations are valid. Refer to notes below for exclusions and limitations. For questions or concerns, please consult the factory.

### PREFIX

**CPG18** 18" Diameter Cylindrical Glowtop  
**MPG18** 18" Diameter Semi-Spherical Glowtop  
**MPGL18** 18" Diameter Semi-Spherical Glowtop with Lantern

### MOUNTING

**I** Single Assembly  
*CPG / MPG / MPGL luminaires are compatible with Gardco Poles (P)RA4.5-STB and (P)RA4.5-HB only.*

### DISTRIBUTION

**I** Type I  
**3** Type III  
**FM** Type IV  
**Q** Type V

### WATTAGE

Pulse Start MH Magnetic Ballast	<b>50MH<sup>1</sup></b> <b>70MH<sup>1</sup></b>	<b>100MH<sup>1</sup></b> <b>150MH<sup>1</sup></b>
CosmoPolis™ Electronic System	<b>60CMPE<sup>2</sup></b> <b>90CMPE<sup>2</sup></b>	<b>140CMPE<sup>2</sup></b>
Pulse Start MH Electronic Ballast	<b>200PSE<sup>2</sup> ⓔ</b>	
Standard MH Magnetic Ballast*	<b>175MH*</b>	
High Pressure Sodium Magnetic Ballast	<b>70HPS</b> <b>100HPS</b>	<b>150HPS</b>
* 175MH probe start metal halide not available for sale in the United States.		
<b>ⓔ</b>	Wattages marked with Circle "E" meet federal energy efficiency standards applicable to 150 watt through 500 watt metal halide luminaires only.	

### VOLTAGE

**120**      **480**  
**208**      Available with 70HPS and  
**240**      100HPS only.  
**277**  
**200-277**  
 CMPE and PSE types only.

1. Medium base lamp.
2. CMPE / PSE types available in 120V or 200-277V only. CosmoPolis™ systems are supplied with lamps.

1611 Clovis Barker Road, San Marcos, TX 78666  
 (800) 227-0758 (512) 753-1000 FAX: (512) 753-7855 [sitelighting.com](http://sitelighting.com)

© 2010 Koninklijke Philips Electronics N.V. All Rights Reserved.

Philips Gardco reserves the right to change materials or modify the design of its product without notification as part of the company's continuing product improvement program.

79115-37/0810

**PHILIPS**





### FINISH

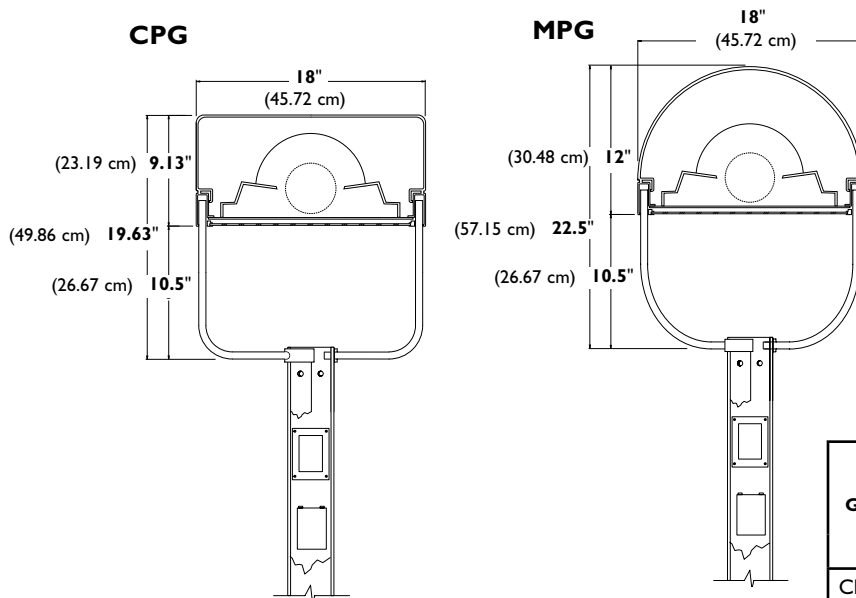
- BRP** Bronze Paint
- BLP** Black Paint
- WP** White Paint
- NP** Natural Aluminum Paint
- OC** Optional Color Paint  
*Specify Optional Color or RAL ex: OC-LGP or OC-RAL7024.*
- SC** Special Paint  
*Specify. Must supply color chip.*

### OPTIONS

- F** Fusing
  - POLY<sup>3</sup>** Polycarbonate Sag Lens
  - HS<sup>4</sup>** Internal House Side Shield
  - L6<sup>5</sup>** LumiStep™ Ballast 6 hour
  - L8<sup>5</sup>** LumiStep™ Ballast 8 hour
  - L10<sup>5</sup>** LumiStep™ Ballast 10 hour
- Glow Rings**
- GRC** Clear
  - GRY** Yellow
  - GRG** Green
  - GRR** Red

- 3. In lieu of flat glass. Polycarbonate lenses carry a 1 year warranty only.
- 4. Supplied standard with FM optics.
- 5. Available with CosmoPolis™ system only. See submittal sheet GE200-005 for complete information on LumiStep™ ballasts.

### DIMENSIONS AND EPA



GLOWTOP	EPA (Effective Projected Area) ft <sup>2</sup> / m <sup>2</sup>	Single Luminaire Weight (lbs / kg)
CPG	.9 / .084	27 / 12.25
MPG	.9 / .084	27 / 12.25

1611 Clovis Barker Road, San Marcos, TX 78666  
 (800) 227-0758 (512) 753-1000 FAX: (512) 753-7855 [sitelighting.com](http://sitelighting.com)

© 2010 Koninklijke Philips Electronics N.V. All Rights Reserved.

Philips Gardco reserves the right to change materials or modify the design of its product without notification as part of the company's continuing product improvement program.

79115-37/0810

**PHILIPS**





### SPECIFICATIONS

**GENERAL:** Each Gardco Form 10 post top mounted Glowtop is an 18" diameter cylindrical (CPG) or semi-spherical (MPG) performance cutoff luminaire with translucent top section providing a soft uplight glow. Lantern style (MPGL) unit includes a cast crown, which creates a classic architectural form. All luminaires utilize the CosmoPolis™ high performance electronic ceramic metal halide system. Glowtops are also available for high intensity discharge lamps up to 200 watts Pulse Start Metal Halide or 150 watts High Pressure Sodium. Internal components are totally enclosed, rain-tight, dust-tight and corrosion resistant. No venting of optical system or electrical components is required or permitted. Lamping requires no lifting or hinging the luminaire housing, disturbing wiring or exposing uninsulated live parts.

**HOUSING:** Upper section is high impact resistant, white molded seamless acrylic providing a uniform uplight glow. Lower component is one piece, seamless spun aluminum incorporating a returned flange stiffener to protect against housing edge deformation.

**YOKE:** The 9/16" diameter parallel yokes of high strength, low mass schedule 40 steel are precision contoured to match the CPG or MPG housing silhouette. Yoke assembly is designed for mounting compatibility with Thomas PRA 4.5" style pole and welds or fasteners are not visible at the luminaire or pole attachment. Yoke is electrogalvanized and coated with satin black polyurethane or TGIC polyester powder coat.

**LENS:** One piece, die cast aluminum door frame retains the optically clear, heat and impact resistant tempered flat glass in a sealed manner using hollow section, high compliance, memory retentive extruded silicone rubber. Concealed stainless steel hinge and two (2) fasteners secure lens assembly to luminaire.

**OPTICAL SYSTEMS:** The segmented Form Ten optical system is homogeneous sheet aluminum, electrochemically brightened, anodized and sealed. The segmented reflectors are set in faceted arc tube image duplicator patterns to achieve IES Types I, III, IV and V distributions. The mogul base lampholder is glazed porcelain with a nickel plated screw shell - all securely attached to the reflector assembly. 50MH, 70MH, 100MH and 150MH units have medium base lampholder.

**ELECTRICAL:** Each high power factor ballast is capable of providing reliable lamp starting down to -20° F. The ballast is mounted on a unitized tray and is housed within the 4 1/2" pole shaft. Component-to-component wiring within the luminaire will carry no more than 80% of rated current and is listed by UL for use at 600 VAC at 150°C or higher. Plug disconnects are listed by UL for use at 600 VAC, 15A or higher.

Luminaires provided with the CosmoPolis™ high performance ceramic metal halide electronic system include high power factor electronic ballasts, designed specifically for the system.

**FINISH:** Housings are rotationally burnished before painting so spinning lines or grooves created by multiple forming passes are not evident. Internal welds will not distort or discolor external surfaces. Paint is hardcoat, fade resistant, electrostatically applied polyurethane or TGIC Polyester powder coat.

**LABELS:** All luminaires bear UL or CUL (where applicable) Wet Location labels.

**WARRANTY:** Gardco luminaires feature a 5 year limited warranty. See Warranty Information on [www.sitelighting.com](http://www.sitelighting.com) for complete details and exclusions. Polycarbonate lenses carry a 1 year warranty only.

**FULL CUTOFF PERFORMANCE:** Full cutoff performance means a luminaire distribution where zero candela intensity occurs at an angle at or above 90° above nadir. Additionally, the candela per 1000 lamp lumens does not numerically exceed 100 (10 percent) at a vertical angle of 80° above nadir. This applies to all lateral angles around the luminaire.

**CUTOFF PERFORMANCE:** Cutoff performance means a luminaire distribution where the candela per 1000 lamp lumens does not numerically exceed 25 (2.5 percent) at an angle at or above 90° above nadir, and 100 (10 percent) at a vertical angle of 80° above nadir. This applies to all lateral angles around the luminaire.