

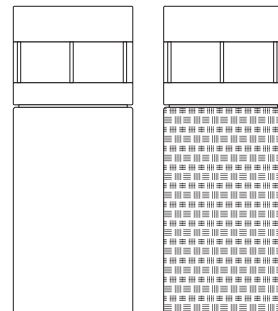
Job:
Type:
Notes:

BOLLARD

Page 1 of 2

Bollard 10 - BR160 / 162 / 163

Philips Gardco Bollard 10 luminaires provide efficient low glare illumination from a highly durable seamless architectural form. Utilizing the Form 10 faceted optical system, precise beam control is achieved and discomforting brightness is eliminated. A .250" cast aluminum housing and .188" injection molded acrylic lens assures exceptional vandal resistance. Each Gardco BR160/162/163 is a bollard luminaire utilizing 50W through 175W high intensity discharge lamps. Units are totally sealed and gasketed, preventing intrusion of moisture, dust and insects into the lamp or electrical chambers.



| PREFIX | OPTICS | HEIGHT | WATTAGE | VOLTAGE | FINISH | OPTIONS |
|----------------------|----------------------|----------------------|----------------------|----------------------|----------------------|----------------------|
| <input type="text"/> | <input type="text"/> | <input type="text"/> | <input type="text"/> | <input type="text"/> | <input type="text"/> | <input type="text"/> |

Enter the order code into the appropriate box above. Note: Philips Gardco reserves the right to refuse a configuration. Not all combinations and configurations are valid. Refer to notes below for exclusions and limitations. For questions or concerns, please consult the factory.

| PREFIX | OPTICS | HEIGHT | WATTAGE | | | | | | | | | | | | | | | | | | | | |
|--|--------------------------|----------------------------|--|------------------------------------|------|-------|----------------------|--|-------------|--------------|--|----------------------------------|---------------|--|--|--|--------------------------|---------------|---------------|--|--|--|--|
| BR160 Head Only | 3 Type III | 42" BR162, 163 Only | <table border="1"> <thead> <tr> <th>Pulse Start MH Magnetic Ballast</th> <th>50MH</th> <th>100MH</th> <th>175PSMH[ⓔ]</th> </tr> </thead> <tbody> <tr> <td></td> <td>70MH</td> <td>150MH</td> <td></td> </tr> <tr> <th>Standard MH Magnetic Ballast*</th> <td colspan="3">175MH*</td> </tr> <tr> <th>High Pressure Sodium Magnetic Ballast</th> <td>50HPS¹</td> <td>100HPS</td> <td>150HPS</td> </tr> <tr> <td colspan="4" style="text-align: center;">* 175MH not available for sale in the United States.</td> </tr> </tbody> </table> <p>ⓔ Wattages marked with Circle "E" meet federal energy efficiency standards applicable to 150 watt through 500 watt metal halide luminaires only.</p> | Pulse Start MH Magnetic Ballast | 50MH | 100MH | 175PSMH [ⓔ] | | 70MH | 150MH | | Standard MH Magnetic Ballast* | 175MH* | | | High Pressure Sodium Magnetic Ballast | 50HPS¹ | 100HPS | 150HPS | * 175MH not available for sale in the United States. | | | |
| Pulse Start MH Magnetic Ballast | 50MH | 100MH | | 175PSMH [ⓔ] | | | | | | | | | | | | | | | | | | | |
| | 70MH | 150MH | | | | | | | | | | | | | | | | | | | | | |
| Standard MH Magnetic Ballast* | 175MH* | | | | | | | | | | | | | | | | | | | | | | |
| High Pressure Sodium Magnetic Ballast | 50HPS¹ | 100HPS | | 150HPS | | | | | | | | | | | | | | | | | | | |
| * 175MH not available for sale in the United States. | | | | | | | | | | | | | | | | | | | | | | | |
| BR162 with Aluminum Base | FM Type IV | 14" BR160 Only | | | | | | | | | | | | | | | | | | | | | |
| BR163 with Natural Concrete Base | Q Type V | | | | | | | | | | | | | | | | | | | | | | |
| BR163B with Beige Concrete Base | | | | | | | | | | | | | | | | | | | | | | | |
| BR163G with Grey Concrete Base | | | | | | | | | | | | | | | | | | | | | | | |

| VOLTAGE | FINISH |
|------------|---|
| 120 | BRP Bronze Paint |
| 208 | BLP Black Paint |
| 240 | WP White Paint |
| 277 | NP Natural Aluminum Paint |
| | VP Verde Green Paint |
| | OC Optional Color Paint Specify RAL designation as ex: OC-RAL7024. |
| | SC Special Color Paint Specify. Must supply color chip. |

| OPTIONS |
|---|
| F Fusing |
| DUP Duplex Receptacle Available in BR162 only. Weathertight, flush-mounted in lower housing. |
| GFCI GFCI Receptacle Available in BR162 only. Weathertight, flush-mounted in lower housing. |

1611 Clovis Barker Road, San Marcos, TX 78666
(800) 227-0758 (512) 753-1000 FAX: (512) 753-7855 sitelighting.com

© 2011 Koninklijke Philips Electronics N.V. All Rights Reserved.

Philips Gardco reserves the right to change materials or modify the design of its product without notification as part of the company's continuing product improvement program.

79115-32/0511

PHILIPS



SPECIFICATIONS

UPPER HOUSING: Housing sections are .250" wall seamless cast aluminum. Lens is one piece .188" thick injection molded clear non-yellowing DR acrylic secured between upper and lower housing sections with three (3) 1/2" diameter chrome plated steel posts. Silicone gasketing allows for thermal expansion while maintaining a weathertight operation of the optical system.

LOWER HOUSING/ANCHORAGE:

BR160

Head-only luminaire is designed for mounting on concrete pedestal or architectural elements (by others). Mounting plate is cast aluminum with slots to accept anchor bolts (by others) at 90° on a 12 1/4" diameter bolt circle. Ballast is attached to the mounting plate.

BR162

16" diameter mounting base is .125" wall aluminum. Integral cast aluminum top section is secured to the mounting foundation with four (4) 3/8" x 8" x 1", 1/2" diameter anchor bolts on 12 1/4" diameter bolt circle. Ballast mounting plate is positioned at the top of base, easily accessible for service.

BR163

Base assembly consists of 7 gauge (.179") x 19" diameter galvanized steel plate fastened to pre-cast concrete base. The base is constructed with steel molds and wire reinforcing and is acid-etched to provide a smooth textured aggregate finish. Assembly is secured and leveled to the mounting foundation with four (4) 3/8" X 8" X 1", 1/2" diameter anchor bolts on a 17 1/2" bolt circle. Base is designed for 2" direct burial.

OPTICAL SYSTEM: The Form 10 optical system segments are formed from homogeneous sheet aluminum, electrochemically brightened, anodized and precisely positioned in reflector pan to produce IES Types III (3), IV (FM) or V (Q) distributions. Mogul base lampholder is glazed porcelain with nickel plated screw shell and is securely attached to the reflector assembly. 50MH, 70MH, and 100MH units have medium base lampholders.

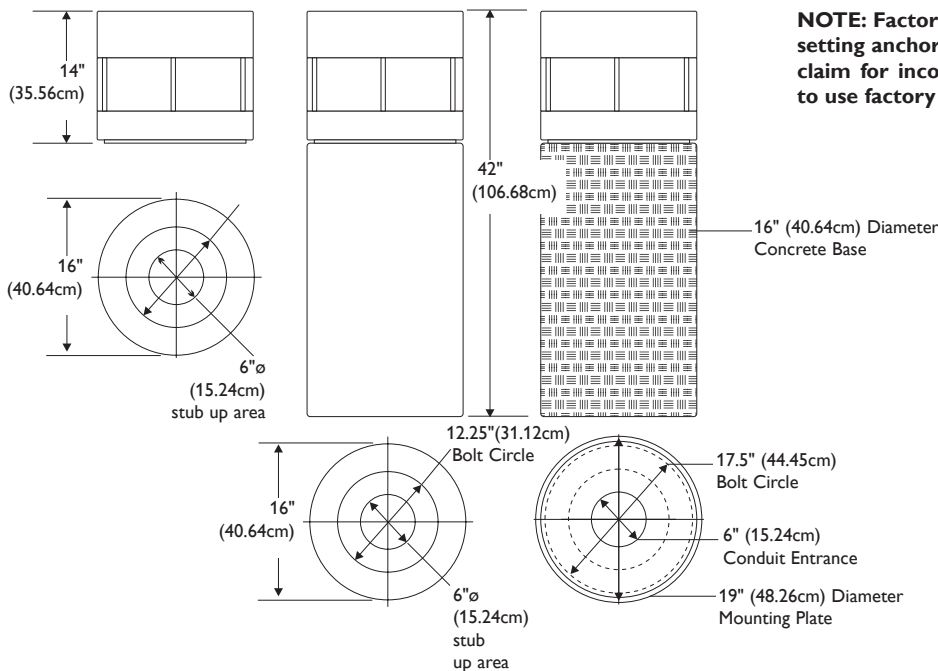
ELECTRICAL: Each high power factor ballast is the separate component type, capable of providing reliable lamp starting down to -20° F. Component-to-component wiring within the luminaire will carry no more than 80% of rated current and is listed by UL for use at 600 VAC at 150°C or higher. Plug disconnects are listed by UL for use at 600 VAC, 15A or higher.

FINISH: Each luminaire receives a fade and abrasion resistant electrostatically applied, thermally cured and textured polyester powdercoat finish.

LABELS: All fixtures bear UL or CUL (where applicable) Wet Location labels.

WARRANTY: Philips Gardco luminaires feature a 5 year limited warranty. See Warranty Information on www.sitelighting.com for complete details and exclusions. Polycarbonate lenses carry a 1 year warranty only.

DIMENSIONS



NOTE: Factory supplied template must be used when setting anchor bolts. Philips Gardco will not honor any claim for incorrect anchorage placement from failure to use factory supplied templates.

1611 Clovis Barker Road, San Marcos, TX 78666

(800) 227-0758 (512) 753-1000 FAX: (512) 753-7855 [sitelighting.com](http://www.sitelighting.com)

© 2011 Koninklijke Philips Electronics N.V. All Rights Reserved.

Philips Gardco reserves the right to change materials or modify the design of its product without notification as part of the company's continuing product improvement program.

79115-32/0511

PHILIPS

GARDCO