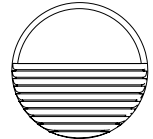
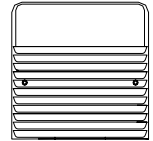


Job:
Type:
Notes:

94 Line

944 Square and 945 Round Step and Aisle Lights

The Philips Gardco 944 and 945 recessed aisle lights are architecturally styled luminaires precisely constructed of cast aluminum. The 10" square 944 and 11" round 945 were specifically designed to incorporate long life compact fluorescent lamps and highly efficient H.I.D. sources to 100W. A field rotatable junction box further enhances its design flexibility. Self-compensating silicone gasketing completely excludes moisture, insects and contaminants.



PREFIX	WALL TYPE	LAMP	FACEPLATE	VOLTAGE	FINISH	OPTIONS

Enter the order code into the appropriate box above. Note: Philips Gardco reserves the right to refuse a configuration. Not all combinations and configurations are valid. Refer to notes below for exclusions and limitations. For questions or concerns, please consult the factory.

PREFIX		WALL TYPE	LAMP	
944	Square	D Drywall <i>Not suitable for concrete pour applications. Also, if insulating material is present, it must be kept at least 3" away from luminaire. Type D units are thermally protecte</i>	D Type 35 HPS¹ (2) 13TF 50 HPS 26QF^{2,3} 50 MH (2) 26QF^{2,3} 32TRF^{2,3} (2)32TRF^{2,3} 42TRF^{2,3}	
945	Round		C Type 35 HPS¹ (2) 13TF 50 HPS 26QF^{2,3} 70 HPS (2) 26QF^{2,3} 100 HPS 32TRF^{2,3} (2)32TRF^{2,3} 42TRF^{2,3} 50 MH 42TRF^{2,3} 70 MH (2) 42TRF^{2,3} 100 MH (2) 100INC¹	
NOTE: Back housings for concrete pour applications (Types C) are available for pre-shipment. Contact factory for details.		C Concrete Pour <i>Suitable for concrete pour applications only.</i>	TF Twin Tube Fluorescent QF Quad Tube Fluorescent TRF Triple Tube Fluorescent 1. 120V only. 2. 0°F starting temperature. 3. 26QF, 32TRF and 42TRF types feature an electronic fluorescent ballast that accepts 120V through 277V, 50hz or 60hz input. Specify "UNIV" for 120V through 277V.	

FACEPLATES	VOLTAGE	FINISH
LV Louver	120 277 UNIV⁴	BLP Black Paint BRP Bronze Paint WP White Paint NP Natural Aluminum Paint OC Optional Color Paint (Specify RAL designation. ex: OC-RAL7024) SC Special Color Paint (Specify. Must supply color chip)
	4. 26QF, 32TRF and 42TRF types feature an electronic fluorescent ballast that accepts 120V through 277V, 50hz or 60hz input. Specify "UNIV" for 120V through 277V.	

OPTIONS
F Fusing



944 Square and 945 Round Step and Aisle Lights

SPECIFICATIONS

FACEPLATE: One-piece diecast aluminum, secured to housing with (2) recessed and captive hex head socket screws. Integral spring clips ensure positive grounding. 3/8" thick louvers and 1/8" thick flat tempered glass provide for vandal resistance and glare control. Self compensating single piece silicone gasketing allows for varying wall thicknesses.

HOUSING: Corrosion resistant cast aluminum construction.

J-BOX: The field convertible junction box is diecast aluminum. It is shipped factory-mounted to the back of housing. The box can be easily positioned on the bottom of the luminaire via two (2) phillips head screws. Each J-box includes three (3) threaded openings (one on each side and one on the bottom) that accommodate 3/4" conduit.

ELECTRICAL:

FLUORESCENT UNITS: Electronic high power factor ballast standard.

INCANDESCENT UNITS: Medium base socket with nickel plated screw shell.

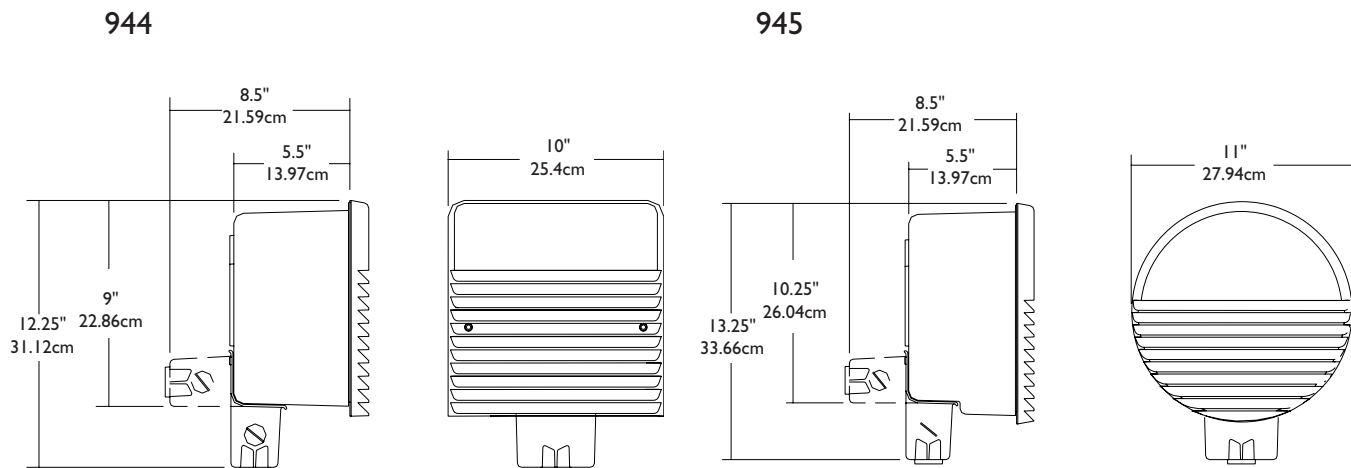
H.I.D. UNITS: Magnetic high power factor ballast. Suitable for -20° F starting temperature.

FINISH: Fade and abrasion resistant, electrostatically applied, thermally cured TGIC textured polyester powdercoat.

LABELS: All luminaires bear UL or CUL (where applicable) Wet Location labels.

WARRANTY: Philips Gardco luminaires feature a 5 year limited warranty. See Warranty Information on www.sitelighting.com for complete details and exclusions. Polycarbonate lenses carry a 1 year warranty only.

DIMENSIONS



1611 Clovis Barker Road, San Marcos, TX 78666

(800) 227-0758 (512) 753-1000 FAX: (512) 753-7855 [sitelighting.com](http://www.sitelighting.com)

© 2011 Koninklijke Philips Electronics N.V. All Rights Reserved.

Philips Gardco reserves the right to change materials or modify the design of its product without notification as part of the company's continuing product improvement program.

79115-101/0411

PHILIPS

GARDCO