

Job:
 Type:
 Notes:

Gaskins Series

GS04 Torchiere

The Philips Gardco Gaskins Series is a variety of pedestrian scale luminaires for area illumination. The GS03 luminaire is a low profile adjustable indirect luminaire. The GS04 is available with a soft, rectilinear solid or open "Tower", or as a post top luminaire designed to slip into a Gardco 4" Round Aluminum Pole. GS04 luminaires provides cutoff performance.

| PREFIX | CONFIGURATION | HEIGHT | DISTRIBUTION | WATTAGE | VOLTAGE | FINISH |
|----------------------|----------------------|----------------------|----------------------|----------------------|----------------------|----------------------|
| <input type="text"/> | <input type="text"/> | <input type="text"/> | <input type="text"/> | <input type="text"/> | <input type="text"/> | <input type="text"/> |

Enter the order code into the appropriate box above. Note: Philips Gardco reserves the right to refuse a configuration. Not all combinations and configurations are valid. Refer to notes below for exclusions and limitations. For questions or concerns, please consult the factory.

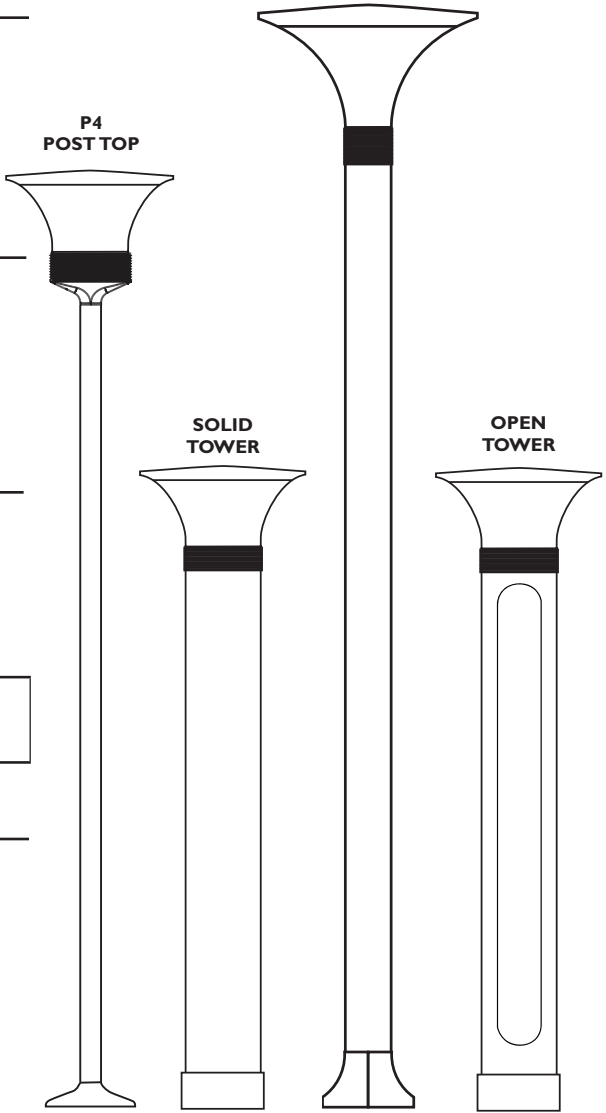
| PREFIX | | CONFIGURATION | |
|----------------|---|---------------|-------|
| GS04-ST | Solid Tower <i>(Provided complete with tower.)</i> | I | I Way |
| GS04-OT | Open Tower <i>(Provided complete with tower.)</i> | | |
| GS04-P4 | P4 Post Top <i>(Pole Not included.)</i> | | |

| HEIGHT | DISTRIBUTION |
|---------------------------------|---------------------|
| 8' | 5ID Type V Indirect |
| 10' | |
| 12' | |
| <i>Omit Height for GS04-P4.</i> | |

| WATTAGE |
|---|
| T70CMHE¹ |
| T150CMHE¹ [Ⓔ] |
| <i>1.T6 Ceramic Metal Halide with Electronic Ballast. Lamp Supplied with luminaire.</i> |

E Wattages marked with Circle "E" meet federal energy efficiency standards applicable to 150 watt through 500 watt metal halide luminaires only.

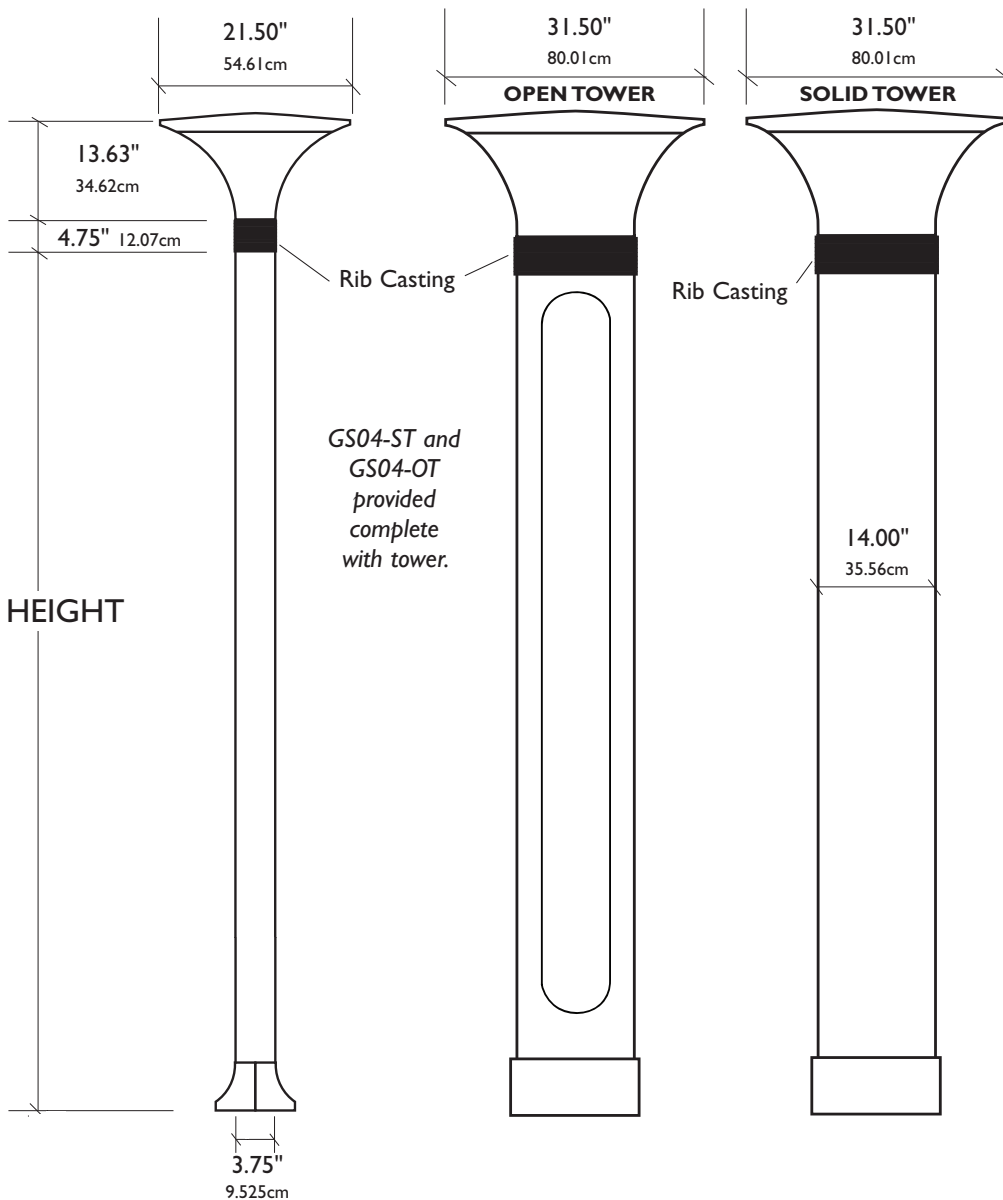
| VOLTAGE |
|---|
| UNIV |
| <i>CMHE units are provided with a ballast that accepts 120V through 277V, 50hz or 60hz.</i> |



FINISH

| | | | |
|------------|--|------------|-----------------|
| BRP | Bronze | LSP | Light Sandstone |
| BLP | Black | DSP | Dark Sandstone |
| WP | White | RBP | Red Brick |
| NP | Natural Aluminum | LGP | Light Granite |
| BGP | Beige | DGP | Dark Granite |
| OC | Optional Color Paint Specify RAL designation ex: OC-RAL7024 | | |
| SC | Special Color Paint Specify. Must supply color chip | | |

DIMENSIONS AND EPA (CONTINUED ON PAGE 3)



NOTE: Factory supplied template must be used when setting anchor bolts. Philips Gardco will not honor any claim for incorrect anchorage placement from failure to use factory supplied templates.

1611 Clovis Barker Road, San Marcos, TX 78666
 (800) 227-0758 (512) 753-1000 FAX: (512) 753-7855 sitelighting.com

© 2011 Koninklijke Philips Electronics N.V. All Rights Reserved.

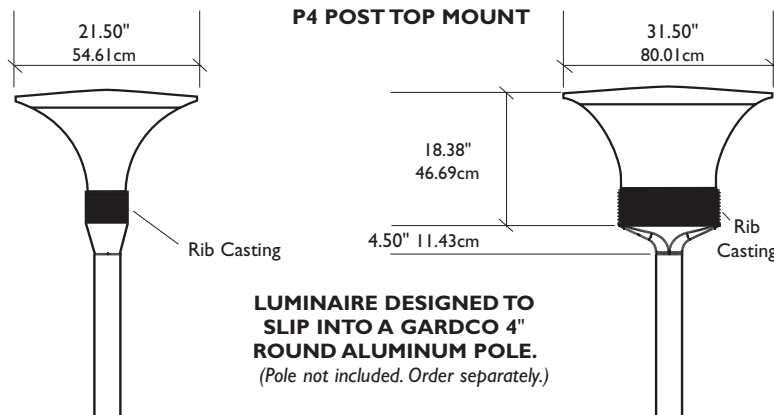
Philips Gardco reserves the right to change materials or modify the design of its product without notification as part of the company's continuing product improvement program.

79115-137/0411

PHILIPS

GARDCO

DIMENSIONS AND EPA (CONTINUED FROM PAGE 2)



EPA = 2.40 ft²

NOTE: Factory supplied template must be used when setting anchor bolts. Philips Gardco will not honor any claim for incorrect anchorage placement from failure to use factory supplied templates.

SPECIFICATIONS

GENERAL DESCRIPTION: The Gaskins Series is a variety of pedestrian scale luminaires for area illumination. The GS04 luminaire is a torchiere-style luminaire. The GS04 is available with a soft, rectilinear solid or open “Tower”, or as a post top luminaire designed to slip into a Gardco 4” Round Aluminum Pole. (Pole not included. Order separately.)

TOWER ASSEMBLY (GS04-ST, GS04-OT): The tower uses a 1” steel base plate with two (2) steel angle supports welded to the base. The entire base assembly is hot-dipped galvanized. Die formed 1/8” aluminum panels interlock with two (2) 6063-T6 aluminum extrusions to create the tower. Minimum wall thickness for extrusions is 0.17”. An adhesive silicone sealant is applied during assembly between the panels and the extrusions to create a permanent seal along the entire length of the tower. The sealant material is structural to enhance tower strength and rigidity.

The tower is installed using four (4) 5/8” anchor bolts on an 11” bolt circle. A 3” diameter hole is provided in the center of the base plate to allow for conduit stub-up. A high-impact, UV resistant polymer two-piece cover protects the tower base.

HOUSING/LENS ASSEMBLY: A decorative and functional ribbed one-piece diecasting is attached to the top of the Tower with four (4) 5/16” bolts. This ribbed assembly encloses the optical system and supports the torchiere lens. The torchiere lens is injection molded V825-HID and DR acrylic with a minimum thickness of 1/8”. The crowned top is a high impact UV resistant injection molded polymer. The top is fully sealed using an extruded silicone gasket and is hinged for lamp access.

OPTICAL SYSTEMS: The GS04 reflector is composed of specular, extruded and faceted Alzak® components, electropolished, anodized, and sealed. Reflector segments are set in arc tube image duplicating patterns to achieve light control. T6 lamps use a G12 base, with pulse rated porcelain lampholders.

ELECTRICAL: HID electronic ballasts are mounted within a diecast enclosure. Electronic ballasts for the GS04-ST and GS04-OT are located in the base of the tower assembly. Electronic ballasts operate ceramic metal halide lamps only.

FINISH: Each standard color luminaire receives a fade and abrasion resistant electrostatically applied thermally cured triglycidic isocyanurate (TGIC) textured semi-gloss polyester powdercoat finish. Standard colors include Bronze (BRP), Black (BLP), White (WVP), Natural Aluminum (NP), Beige (BGP), Light Sandstone (LSP), Dark Sandstone (DSP), Red Brick (RBP), Light Granite (LGP) and Dark Granite (DGP). The polymeric cover at the tower base is painted with a liquid polyurethane semi-gloss paint. Consult factory for specifications on custom colors.

LABELS: All luminaires bear U.L. or C.U.L. (where applicable) Wet Location labels.

WARRANTY: Philips Gardco luminaires feature a 5 year limited warranty. See Warranty Information on www.sitelighting.com for complete details and exclusions. Polycarbonate lenses carry a 1 year warranty only.

FULL CUTOFF PERFORMANCE: Full cutoff performance means a luminaire distribution where zero candela intensity occurs at an angle at or above 90° above nadir. Additionally, the candela per 1000 lamp lumens does not numerically exceed 100 (10 percent) at a vertical angle of 80° above nadir. This applies to all lateral angles around the luminaire.

CUTOFF PERFORMANCE: Cutoff performance means a luminaire distribution where the candela per 1000 lamp lumens does not numerically exceed 25 (2.5 percent) at an angle at or above 90° above nadir, and 100 (10 percent) at a vertical angle of 80° above nadir. This applies to all lateral angles around the luminaire.

1611 Clovis Barker Road, San Marcos, TX 78666
(800) 227-0758 (512) 753-1000 FAX: (512) 753-7855 [sitelighting.com](http://www.sitelighting.com)

© 2011 Koninklijke Philips Electronics N.V. All Rights Reserved.

Philips Gardco reserves the right to change materials or modify the design of its product without notification as part of the company's continuing product improvement program.

79115-137/0411

PHILIPS

GARDCO