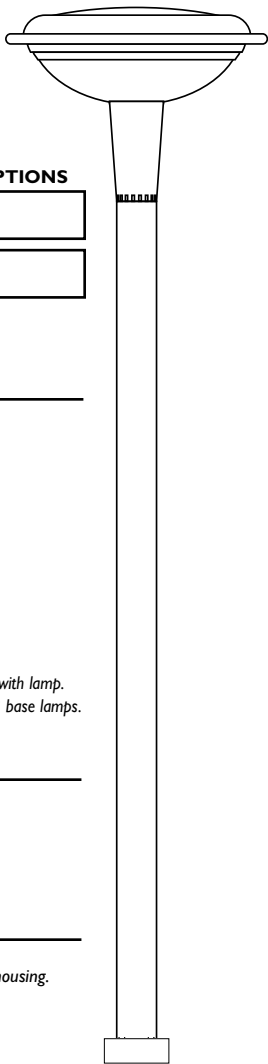


Job:
 Type:
 Notes:

Circa

CRP22 Post Top Luminaires

Each Gardco post-top mounted Circa is a low profile, curvilinear cutoff luminaire utilizing high intensity discharge lamps up to 175 watts. The housings are one-piece, diecast aluminum and mount directly to the pole assembly with an integrated fitter. Internal components are totally enclosed, rain-tight, dust-tight and corrosion resistant. Luminaires are available with a choice of two (2) refractor or one (1) indirect optical systems. CRP22 luminaires provide cutoff performance.



PREFIX	MOUNTING	DISTRIBUTION	WATTAGE	VOLTAGE	RING	FINISH	OPTIONS
<input type="text"/>	<input type="text"/>	<input type="text"/>	<input type="text"/>	<input type="text"/>	<input type="text"/>	<input type="text"/>	<input type="text"/>

Enter the order code into the appropriate box above. Note: Gardco reserves the right to refuse a configuration. Not all combinations and configurations are valid. Refer to notes below for exclusions and limitations. For questions or concerns, please consult the factory.

PREFIX	MOUNTING	DISTRIBUTION
CRP22 Circa Post Top	I Single Assembly	Refractor 3VRF Type III 5VRF Type V <i>Available for use with E-17, medium base lamps only.</i> Indirect 5VINDR Type V <i>Available with T39MH, T70MH, and T150MH only. Luminaires are supplied with lamp. T39MH, T70MH, T150MH use T-6, G12 base lamps.</i>

WATTAGE	Refractor Optics (E-17)		Indirect Optics (T6 Lamps)	
	Pulse Start MH Magnetic Ballast	50MH ¹ 70MH ²	100MH 150MH ²	T39MH ¹ T70MH ²
Standard MH Magnetic Ballast*	175MH*			
High Pressure Sodium Magnetic Ballast	70HPS 100HPS	150HPS		
* 175MH not available for sale in the United States.				

VOLTAGE		
120	240	347
208	277	480

RING	
AR	Aluminum Ring Painted to match housing.
SR	Stainless Steel Ring Brushed
OR	Optional Color Ring Painted a different color than housing.
LR	Less Ring

1. 120V/277V only.
 2. Not available with 480V.
 3. Available with 120V, 277V and 347V only.



FINISH

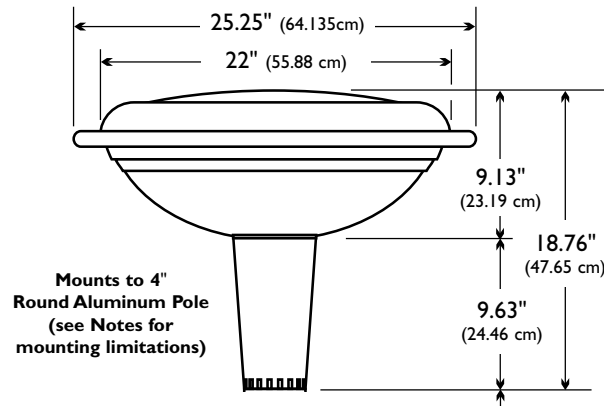
BRP	Bronze Paint
BLP	Black Paint
WP	White Paint
NP	Natural Aluminum Paint
OC	Optional Color Paint Specify Optional Color or RAL ex: OC-LGP or OC-RAL7024.
SC	Special Paint Specify. Must supply color chip.

OPTIONS

LF	In-Line/In-Pole Fusing 120/277 only.
PCB	Button Photocontrol 120/277only. Photocontrol replaces the hand hole cover for a Gardco RA4 round aluminum pole. Not available for use with poles other than the Gardco RA4.

DIMENSIONS AND EPA

GARDCO RA4 POLE MATRIX			
Pole Length	Mounting Height	Overall Height ¹	Gardco Pole Catalog Number
8'	9' 3/4"	9' 6 3/4"	RA4-8'
10'	11' 3/4"	11' 6 3/4"	RA4-10'
12'	13' 3/4"	13' 6 3/4"	RA4-12'
14'	15' 3/4"	15' 6 3/4"	RA4-14'
15'	16' 3/4"	16' 6 3/4"	RA4-15'



Notes:

- If a lower overall height is desired, an 8' pole may be cut back to reduce pole length.
- Gardco supplied poles are highly recommended. The Circa Post Top is suitable for use with other (non-Gardco supplied) 4" diameter aluminum poles if used with a 2 3/8" X 4" long welded top tenon. The tenon must extend beyond the pole top a minimum of 4" and a maximum of 4 1/4". The tenon outside diameter must be equal to 2 3/8" and the inside diameter cannot be less than 2".

EPA	WEIGHT
0.70 ft²	43 lbs
.066 m²	19.51 kg

SPECIFICATIONS

GENERAL DESCRIPTION: Each Gardco post top mounted Circa is a low profile, curvilinear cutoff luminaire utilizing high intensity discharge lamps up to 175 watts. Housings are die cast aluminum and mount directly to the pole assembly with an integrated fitter. Internal components are totally enclosed, rain-tight, dust-tight and corrosion resistant. Luminaires are available with a choice of two (2) refractor or one (1) indirect optical systems.

HOUSING: A four-piece diecast aluminum housing mounts directly to a 4" diameter round pole having a 2 3/8" diameter tenon. The tenon must extend beyond the pole top a minimum of 4" and a maximum of 4 1/4". The tenon outside diameter must be equal to 2 3/8" and the inside diameter cannot be less than 2".

LENS ASSEMBLY: The molded lens is a combination acrylic and polycarbonate material that provides high impact resistance and high resistance to UV deterioration. A two-piece diecast aluminum lens frame holds the lens, which is clamped to the diecast fitter at the base of the assembly. The diecast upper components mate to the gasketed lens flange. A diecast hinged door at the top of the unit provides for easy-access relamping. The electrical components are housed in the fitter. The lamp and optical components are thoroughly sealed to prevent intrusion by moisture, dust and insects.

OPTICAL SYSTEMS: Two refractor optical systems and an indirect lighting system provide comfortable, even illumination. A choice of two refractors provide either an IES Type III (3VRF) or IES Type V (5VRF) distribution. Maximized visual comfort is achieved with the indirect optical system providing an IES Type V Round pattern (5INDR).

ELECTRICAL: All electrical components are UL recognized and factory tested. Components are mounted on a unitized bracket assembly which includes the socket. Each high power factor ballast is the separate component type capable of providing reliable lamp starting down to -20°F.

FINISH: Each standard color luminaire receives a fade and abrasion resistant, electrostatically applied, thermally cured, triglycidal isocyanurate (TGIC) textured polyester powdercoat finish. Units are thoroughly cleaned and provided with an advanced chromate acid pretreatment. Standard colors include bronze (BRP), black (BLP), white (VWP), and natural aluminum (NP). Consult factory for specs on custom colors.

LABELS: All luminaires bear UL or CUL (where applicable) Wet Location labels.

WARRANTY: Gardco luminaires feature a 5 year limited warranty. See Warranty Information on www.sitelighting.com for complete details and exclusions. Polycarbonate lenses carry a 1 year warranty only.

FULL CUTOFF PERFORMANCE: Full cutoff performance means a luminaire distribution where zero candela intensity occurs at an angle at or above 90° above nadir. Additionally, the candela per 1000 lamp lumens does not numerically exceed 100 (10 percent) at a vertical angle of 80° above nadir. This applies to all lateral angles around the luminaire.

CUTOFF PERFORMANCE: Cutoff performance means a luminaire distribution where the candela per 1000 lamp lumens does not numerically exceed 25 (2.5 percent) at an angle at or above 90° above nadir, and 100 (10 percent) at a vertical angle of 80° above nadir. This applies to all lateral angles around the luminaire.

1611 Clovis Barker Road, San Marcos, TX 78666

(800) 227-0758 (512) 753-1000 FAX: (512) 753-7855 [sitelighting.com](http://www.sitelighting.com)

© 2010 Koninklijke Philips Electronics N.V. All Rights Reserved.

Philips Gardco reserves the right to change materials or modify the design of its product without notification as part of the company's continuing product improvement program.

79115-123/1010

PHILIPS

