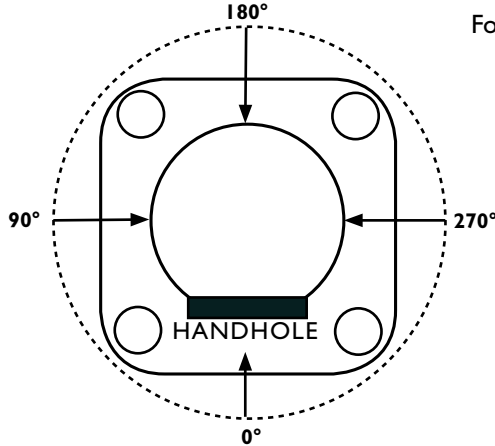


Job:
 Type:
 Notes:

Poles

FACTORY INSTALLED OPTIONS AND ACCESSORIES



Orientation is measured clockwise from the Handhole Center.

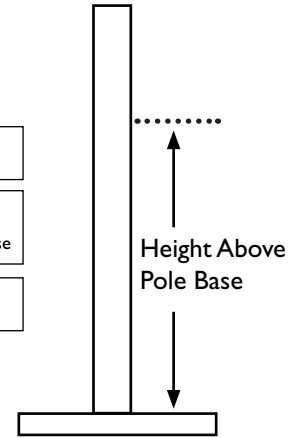
For Factory Installed Options and Accessories,
 Specify Orientation from Handhole and
 Height Above Pole Base.

Option/Accessory:

Orientation:
 Measured in Degrees from Handhole Center - Clockwise

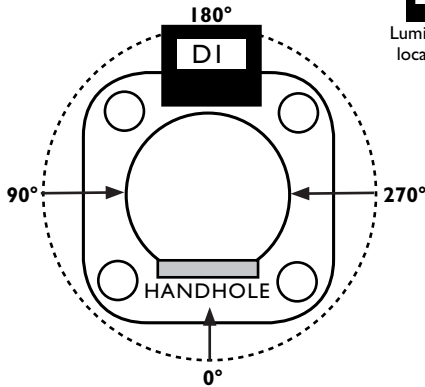
Height Above Pole Base:

Consult Pole Submittal Data Sheets for
 available options and restrictions.

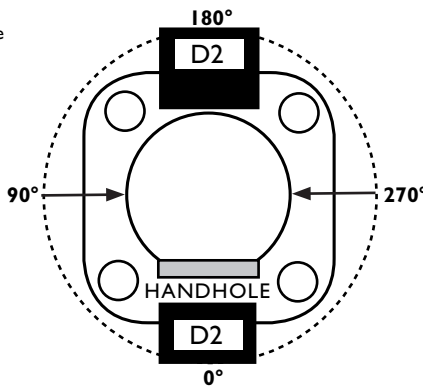


STANDARD ARM MOUNT LUMINAIRE ORIENTATION

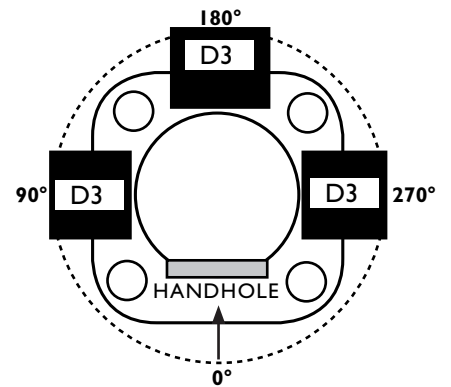
D1 Drilled for Single Luminaire



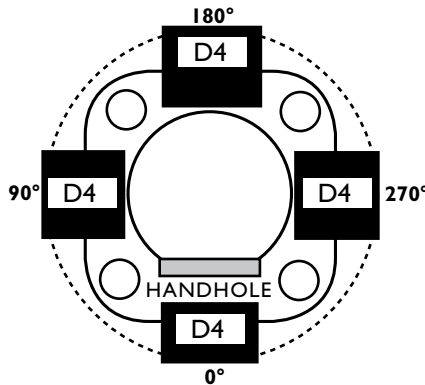
D2 Drilled for 2 Luminaires at 180°



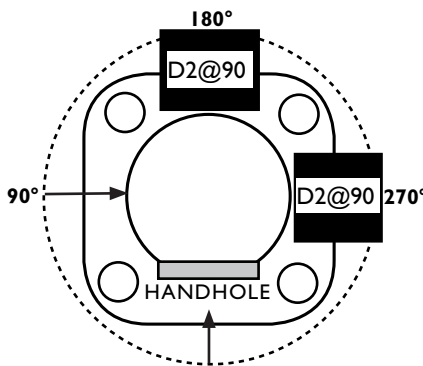
D3 Drilled for 3 Luminaires @ 90°



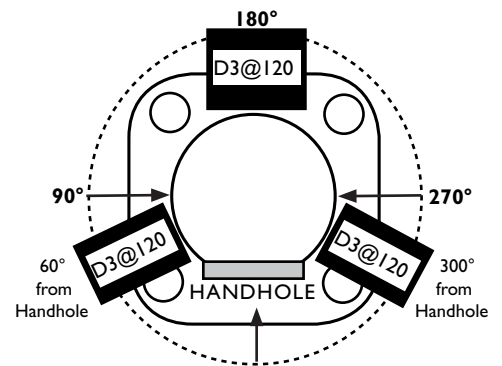
D4 Drilled for 4 Luminaires at 90°



D2@90 Drilled for 2 Luminaires at 90°



D3@120 Drilled for 3 Luminaires at 120°



1611 Clovis Barker Road, San Marcos, TX 78666

(800) 227-0758 (512) 753-1000 FAX: (512) 753-7855 sitelighting.com

© 2010 Koninklijke Philips Electronics N.V. All Rights Reserved.

Philips Gardco reserves the right to change materials or modify the design of its product without notification as part of the company's continuing product improvement program.

79415-12/0510

PHILIPS

