

Job:
Type:
Notes:



96 Line

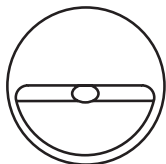
LED Steplights

The Gardco 96 Line LED steplights are architecturally styled luminaires of minimal scale. The mounting base is precisely constructed of die cast aluminum. Faceplates are available in molded composite or die cast aluminum. The 96 Line was specifically designed for use with LEDs and all types of wall construction. A choice of four (4) architectural shapes allows for a wide variety of applications, in both interior and exterior settings.

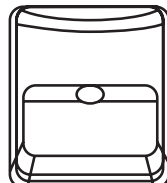
PREFIX	MOUNTING	WATTAGE	VOLTAGE	FINISH

Enter the order code into the appropriate box above. Note: Gardco reserves the right to refuse a configuration. Not all combinations and configurations are valid. Refer to notes below for exclusions and limitations. For questions or concerns, please consult the factory.

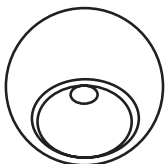
PREFIX



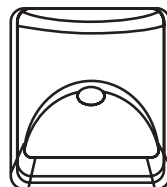
960 Round



962 Square



961 Round



963 Square

96 Line Available Configurations	
Composite Faceplate	Aluminum Faceplate
960C	960A
961C	
962C	962A
963C	

MOUNTING

S Surface mount for wall or ceiling

WATTAGE

4 4 watt LED / 3,000° K / 85 CRI

VOLTAGE

UNIV 120V through 277V (50hz or 60hz)

FINISH

- BLP** Black (Standard composite material color)
- BRP** Bronze Paint
- WP** White Paint
- NP** Natural Aluminum Paint
- OC** Optional Color Paint
(Specify RAL designation. ex: OC-RAL7024)
- SC** Special Color Paint
(Specify. Must supply color chip)

1611 Clovis Barker Road, San Marcos, TX 78666
(800) 227-0758 (512) 753-1000 FAX: (512) 753-7855 sitelighting.com

© 2012 Koninklijke Philips Electronics N.V. All Rights Reserved.

Philips Gardco reserves the right to change materials or modify the design of its product without notification as part of the company's continuing product improvement program.

G200-012/0212

PHILIPS





SPECIFICATIONS

GENERAL DESCRIPTION: The Gardco 96 Line LED steplights are architecturally styled luminaires of minimal scale. The mounting base is precisely constructed of die cast aluminum. Faceplates are available in molded composite or die cast aluminum. The 96 Line was specifically designed for use with LEDs and all types of wall construction. A choice of four (4) architectural shapes allows for a wide variety of applications, both inside and outside buildings.

COVER: The composite housing cover is molded using high impact resistant, UV stabilized, thermoplastic with an integral, textured surface. The aluminum housing cover is die cast aluminum. Cover is secured to the housing with a hex socket set screw.

POWER-PACK BASE ASSEMBLY:

BASE ASSEMBLY: The mounting base is constructed of one-piece die cast aluminum and is suitable for mounting over a recessed 3 1/2" or 4" octagonal or 4" square recessed box (supplied by others.) A separate mounting plate is supplied for mounting to a recessed 4" square outlet box.

The mounting base includes an integral bubble level to assist in leveling the luminaire.

POWER-PACK: The encapsulated power components are integrated into the mounting base. The permanent Power-Pack includes a single, 4 watt LED attached to a power supply. The complete Power-Pack is replaced at end of LED life.

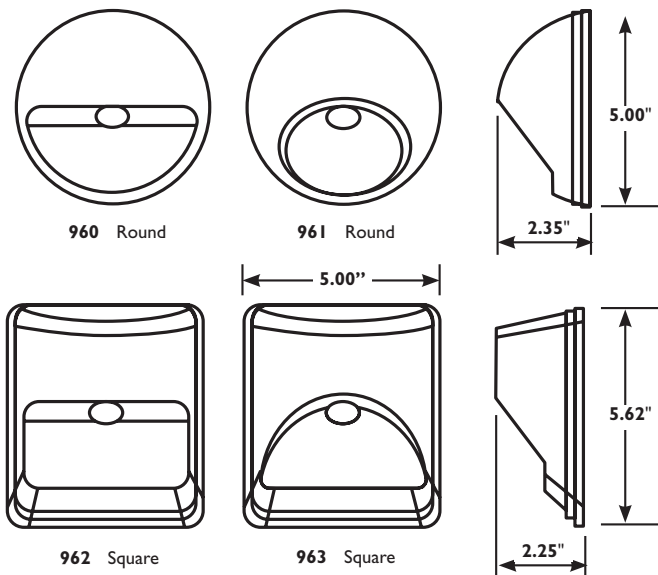
ELECTRICAL: 96 Line LED Steplights accept 120 volt through 27V, 50hz or 60hz, input.

FINISH: Black (BLP) is permanently molded into the composite BLP housing cover. All other colors are painted using a semi-gloss, liquid polyurethane finish or a TGIC polyester powder coat.

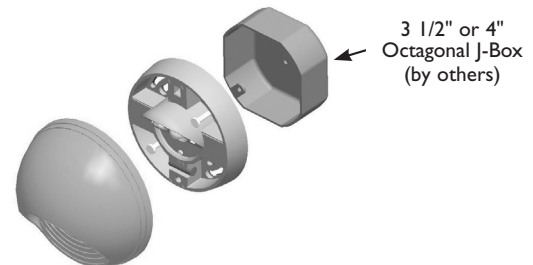
LABELS: All luminaires bear U.L. or C.U.L. (where applicable) Wet Location labels.

WARRANTY: Gardco luminaires feature a 5 year limited warranty. Gardco LED luminaires with LED arrays or modules feature a 5 year limited warranty covering the LED arrays or modules. See Warranty Information on www.sitelighting.com for complete details and exclusions.

DIMENSIONS



MOUNTING OVER 3 1/2" OR 4" RECESSED OCTAGONAL J-BOX



MOUNTING OVER 4" RECESSED SQUARE J-BOX

