

INSTALLATION INSTRUCTIONS

121 SCONCE



GARDCO LIGHTING
1611 Clovis Barker Road
San Marcos, TX 78666
www.sitelighting.com

PN# A819270 REV
SHEET 1 OF 1

© COPYRIGHT 2008 GARDCO LIGHTING

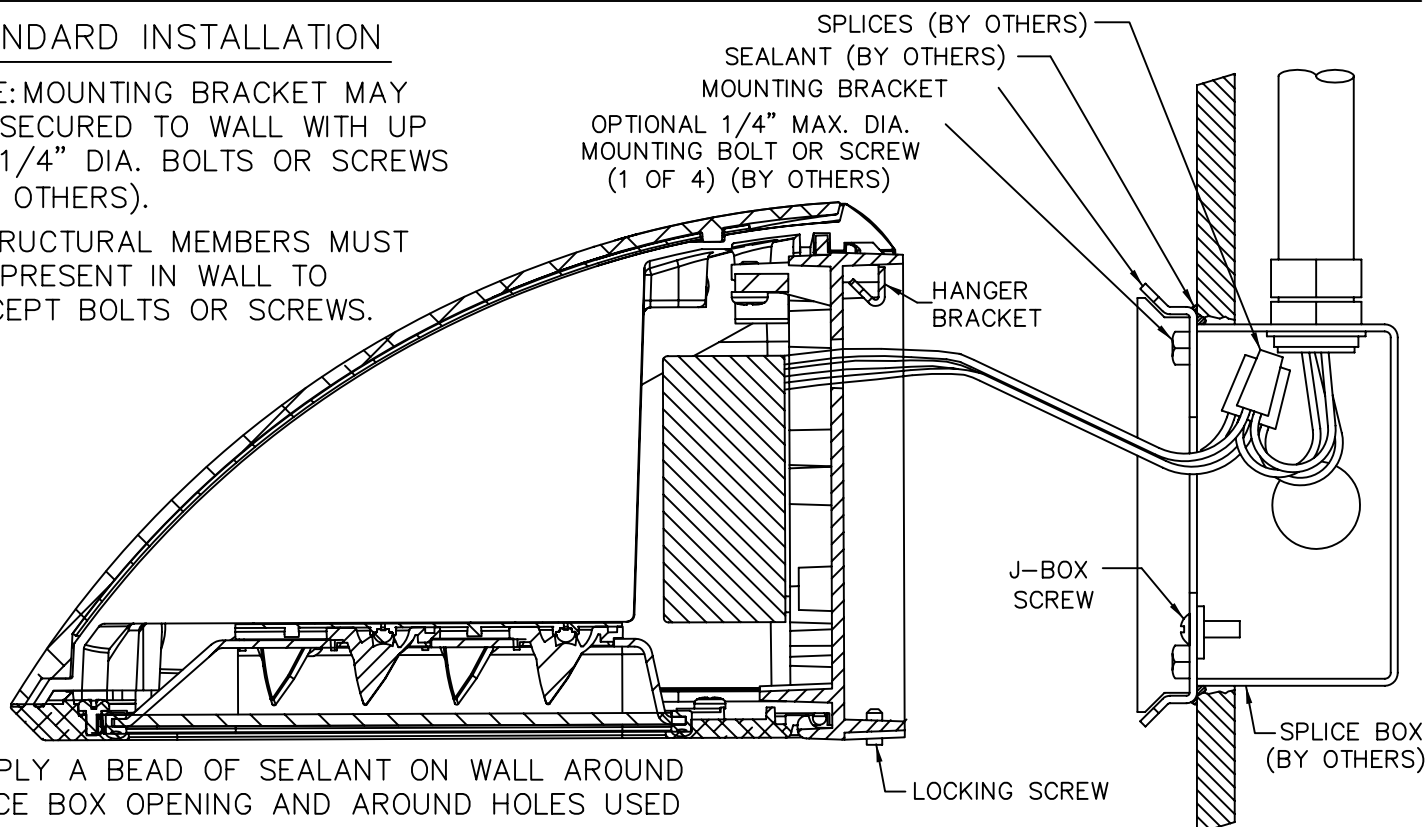
IMPORTANT: READ ALL INSTRUCTIONS BEFORE PERFORMING ANY WORK.
BE SURE ALL POWER IS OFF PRIOR TO INSTALLING LUMINAIRE.

WARNING: LUMINAIRE MUST BE GROUNDED IN ACCORDANCE WITH
APPROPRIATE CODES. FAILURE TO DO SO MAY RESULT IN
SERIOUS INJURY.

STANDARD INSTALLATION

NOTE: MOUNTING BRACKET MAY
BE SECURED TO WALL WITH UP
TO 1/4" DIA. BOLTS OR SCREWS
(BY OTHERS).

STRUCTURAL MEMBERS MUST
BE PRESENT IN WALL TO
ACCEPT BOLTS OR SCREWS.



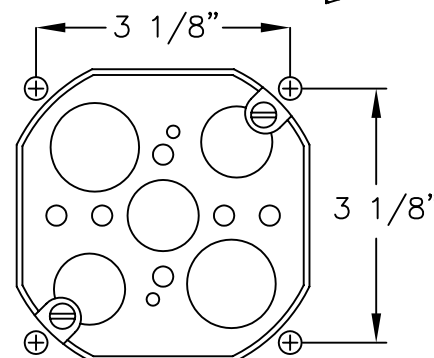
1. APPLY A BEAD OF SEALANT ON WALL AROUND
SPLICE BOX OPENING AND AROUND HOLES USED
FOR OPTIONAL MOUNTING BOLTS OR SCREWS.
WHEN USING A 4" OCTAGONAL BOX (SHOWN),
FILL GAP BETWEEN WALL OPENING AND SPLICE
BOX WITH SEALANT.

APPLY SEALANT TO THE TOP INSIDE
CORNERS OF THE MOUNTING BRACKET.

2. PLACE MOUNTING BRACKET OVER SPLICE
BOX AND SECURE WITH J-BOX SCREWS.
FOR ADDITIONAL SECURITY, BOLTS OR
SCREWS UP TO 1/4" DIAMETER MAY BE USED.

3. MAKE ELECTRICAL CONNECTIONS. FIXTURE
LINE TO SUPPLY LINE, COMMON TO COMMON
AND GROUND TO GROUND.

4. PLACE SPLICES AND EXCESS WIRE IN SPLICE
BOX. CAREFULLY ENGAGE HANGER BRACKET TO MOUNTING
BEING CAREFUL NOT TO PINCH WIRES. ALLOW FIXTURE
TO REST AGAINST WALL. TIGHTEN LOCKING SCREWS.



MOUNTING PATTERN FOR
OPTIONAL BOLTS
4" OCTAGONAL BOX (BY OTHERS)
SHOWN FOR REFERENCE