

INSTALLATION INSTRUCTIONS

AVALUME LUMINAIRE MOUNTED ON PTF2 (3 1/2" O.D.)

PTF3 (4 1/2" O.D.) OR PTF4 (5" O.D.) POLE TOP FITTER. AVA, AW



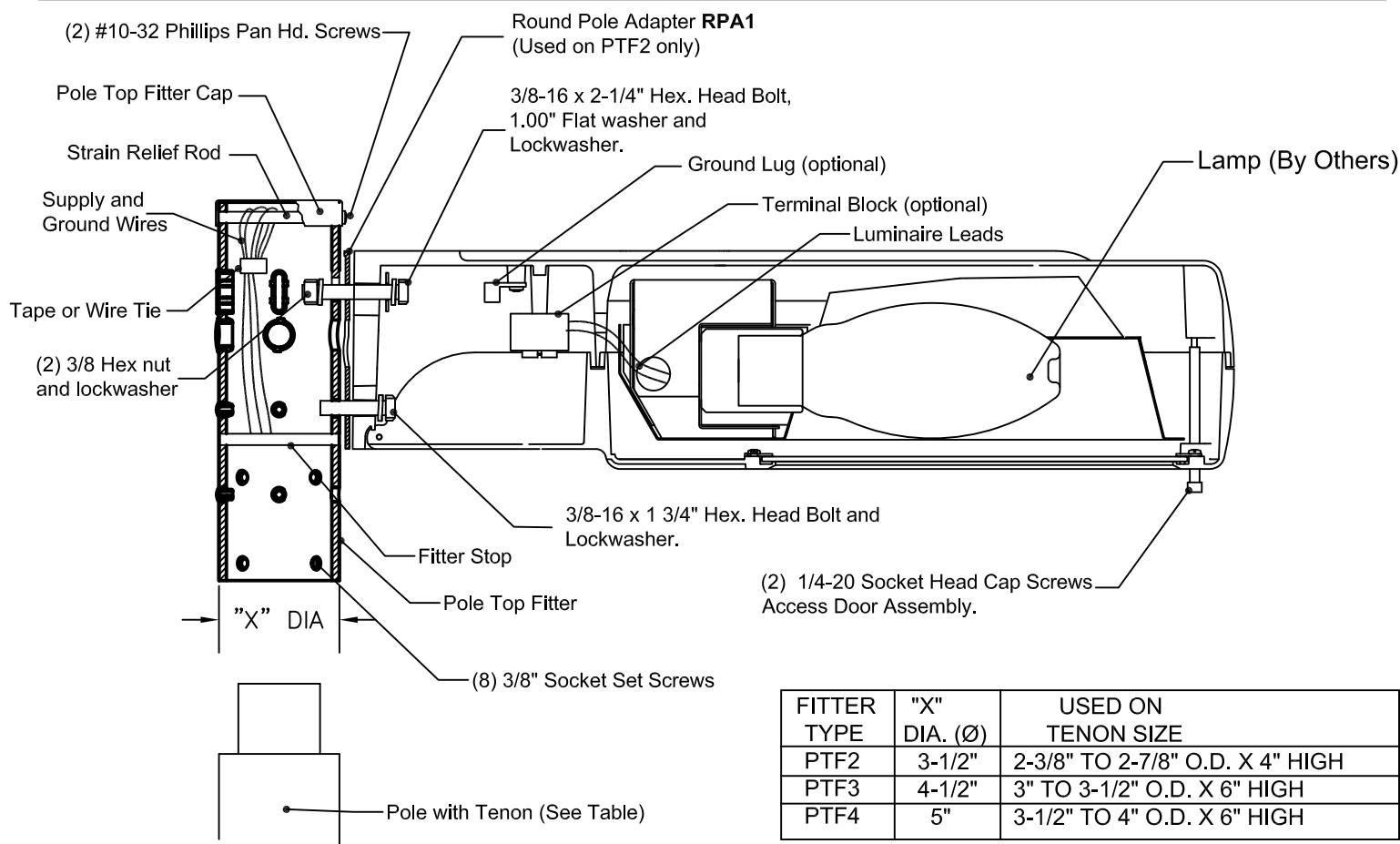
EMCO LIGHTING
1611 Clovis Barker Road
San Marcos, TX 78666
www.sitelighting.com

A817383 REV B

SHEET 1 OF 2

© COPYRIGHT 2008 EMCO LIGHTING

**IMPORTANT: READ ALL INSTRUCTIONS BEFORE PERFORMING ANY WORK.
BE SURE ALL POWER IS OFF PRIOR TO INSTALLING LUMINAIRES.**



FITTER TYPE	"X" DIA. (Ø)	USED ON TENON SIZE
PTF2	3-1/2"	2-3/8" TO 2-7/8" O.D. X 4" HIGH
PTF3	4-1/2"	3" TO 3-1/2" O.D. X 6" HIGH
PTF4	5"	3-1/2" TO 4" O.D. X 6" HIGH

1. Install lockwasher and 1.00" flat washer to the 3/8-16 x 2-1/4" hex head bolt and bolt through the top mounting hole. Install split lockwasher and nut to the end of the top bolt.

NOTE: Use the ROUND POLE ADAPTER (RPA1) Only on PTF2 and place it between the Pole Top Fitter and luminaire as shown. (The RPA1 is supplied in the luminaire mounting hardware)

2. Hook luminaire over the top bolt and hand tighten.
3. Loosen (2) # 1/4-20 socket head cap screws using 3/16 allen wrench and open the door assembly.
4. Secure luminaire with the (2) 3/8-16 x 3/4" HEX. HEAD BOLTS and LOCKWASHERS. (Bottom bolt) tighten bolts to 18 ft-lb.
5. Install the POLE TOP FITTER/LUMINAIRE on to the TENON. Top of TENON must seat against the FITTER STOP. Level and secure with (8) 3/8" SOCKET SET SCREWS.
6. Route supply and ground wires over the STRAIN RELIEF ROD and into the luminaire. Tie off with tape or Wire tie as shown.

INSTALLATION INSTRUCTIONS

AVALUME LUMINAIRE MOUNTED ON PTF2 (3 1/2" O.D.)

PTF3 (4 1/2" O.D.) OR PTF4 (5" O.D.) POLE TOP FITTER. AVA, AW



EMCO LIGHTING
1611 Clovis Barker Road
San Marcos, TX 78666
www.sitelighting.com

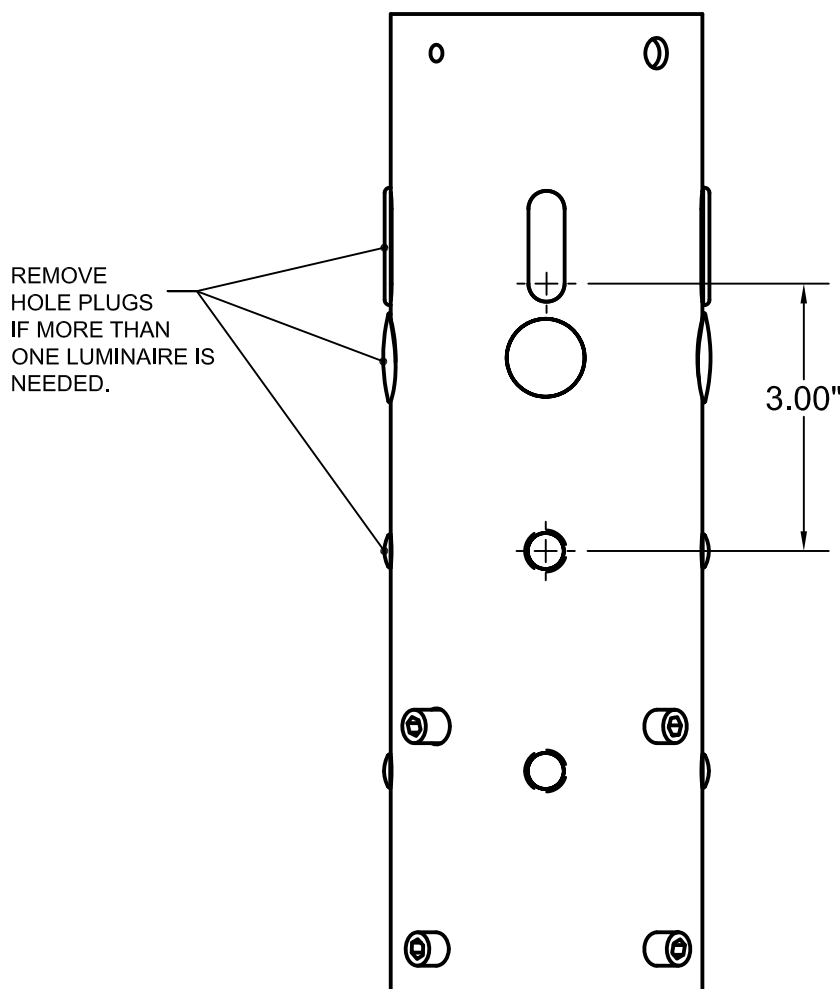
A817383 REV B

SHEET 2 OF 2

© COPYRIGHT 2008 EMCO LIGHTING

**IMPORTANT: READ ALL INSTRUCTIONS BEFORE PERFORMING ANY WORK.
BE SURE ALL POWER IS OFF PRIOR TO INSTALLING LUMINAIRES.**

7. Connect the supply and ground wires to Luminaire Leads.
Make wire connections per NEC or applicable local codes.
8. Install Pole Top Fitter Cap and secure in place with (2) #10-32 phillips pan head screws.
9. Install proper lamp(s) per luminaire markings.
10. Install photo control if used.
11. Close door and secure it being careful not to over tighten the bolts.



MOUNTING HOLE PATTERN