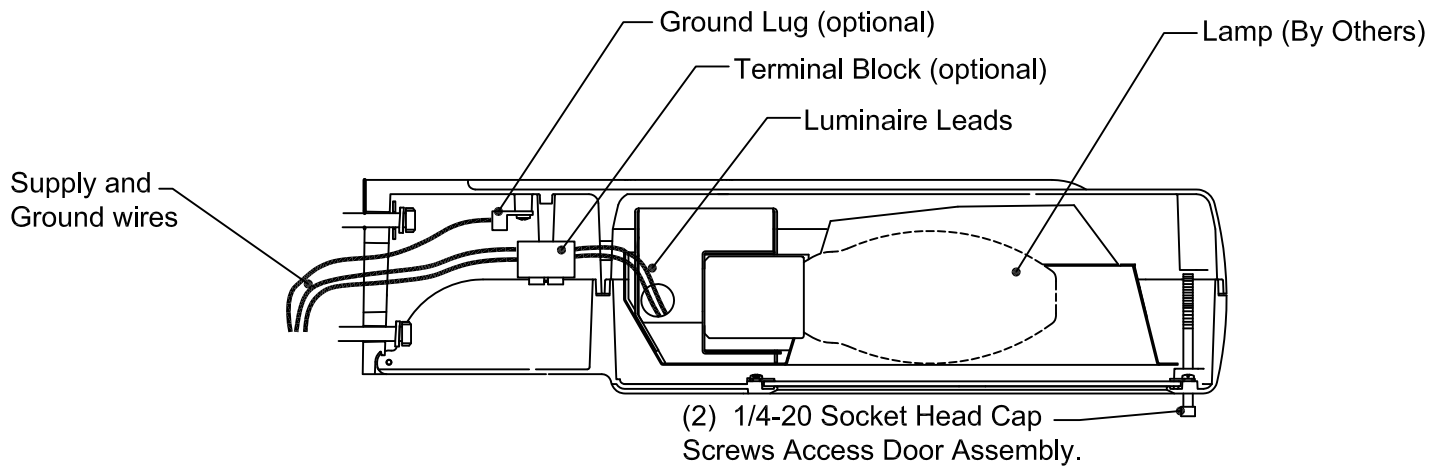


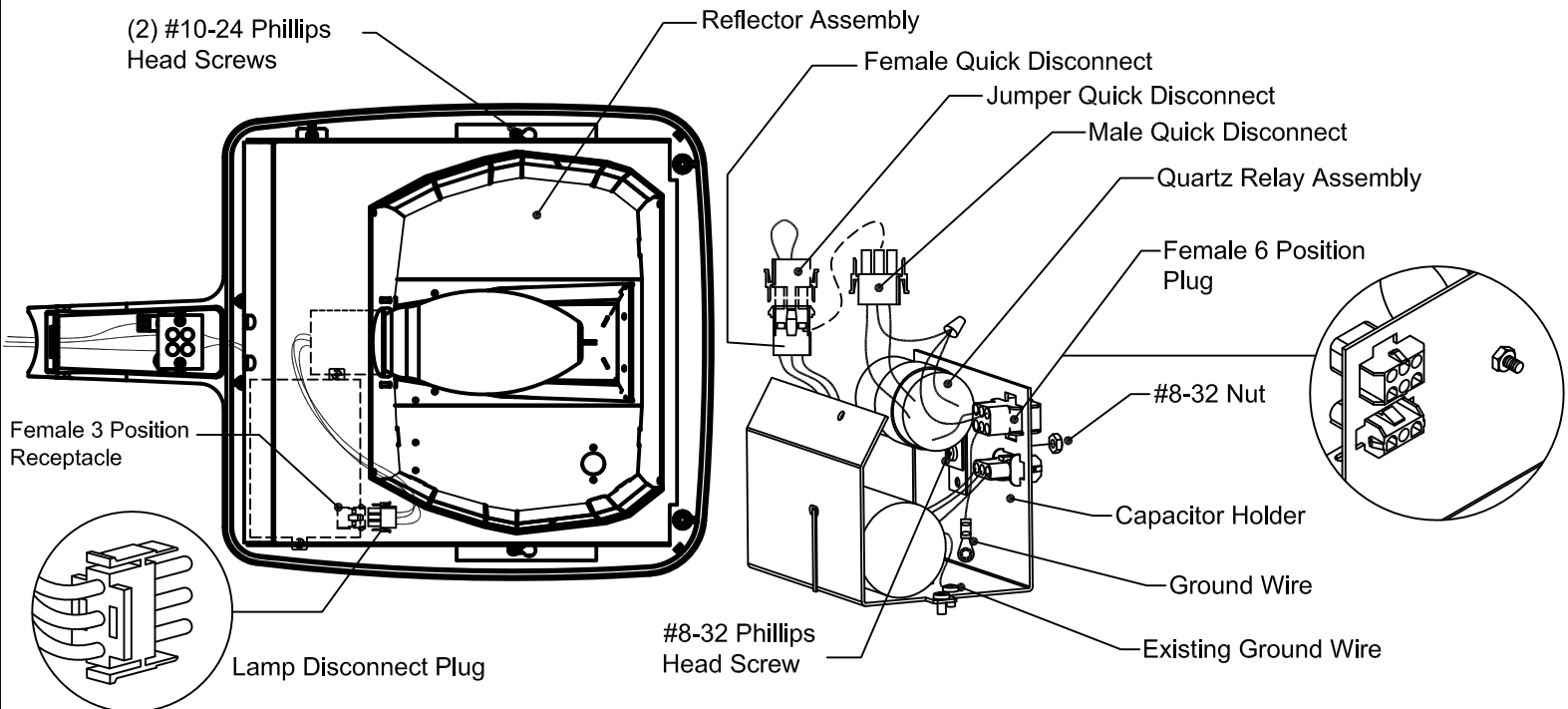
# INSTALLATION INSTRUCTIONS

## FIELD INSTALLED QUARTZ RESTRIKE FOR AVALUME LUMINAIRE

**IMPORTANT: READ ALL INSTRUCTIONS BEFORE PERFORMING ANY WORK.  
BE SURE ALL POWER IS OFF PRIOR TO INSTALLING LUMINAIRES**



- 1 OPEN DOOR ASSEMBLY: Loosen (2) # 1/4-20 SOCKET HEAD CAP SCREWS using 3/16" allen wrench and open the DOOR ASSEMBLY.



- 2 REMOVE REFLECTOR ASSEMBLY: Loosen (2) #10-24 PHILLIPS HEAD SCREWS and remove the REFLECTOR ASSY. Unplug reflector from housing by grasping the LAMP DISCONNECT PLUG, squeezing together plug release tabs, and gently pulling plug from the FEMALE 3 POSITION RECEPTACLE.
- 3 INSTALL QUARTZ RELAY ASSEMBLY: Install GROUND WIRE on the existing ground wire by loosening the #8-32 phillips head screw. Find the JUMPER QUICK DISCONNECT from luminaire wiring, unplug it and discard it. Then, connect the FEMALE QUICK DISCONNECT to the MALE QUICK DISCONNECT. All excess wiring and Quick disconnect plugs must go into the CAPACITOR HOLDER. Attach the QUARTZ RELAY ASSEMBLY to the CAPACITOR HOLDER with a #8-32 screw and a nut. Install the FEMALE 6 POSITION PLUG to the CAPACITOR HOLDER.



**emco**

1611 Clovis Barker Road, San Marcos, TX 78666  
Gardco and Emco are Philips group brands

A817381

3/14/08 REV A 1 OF 2

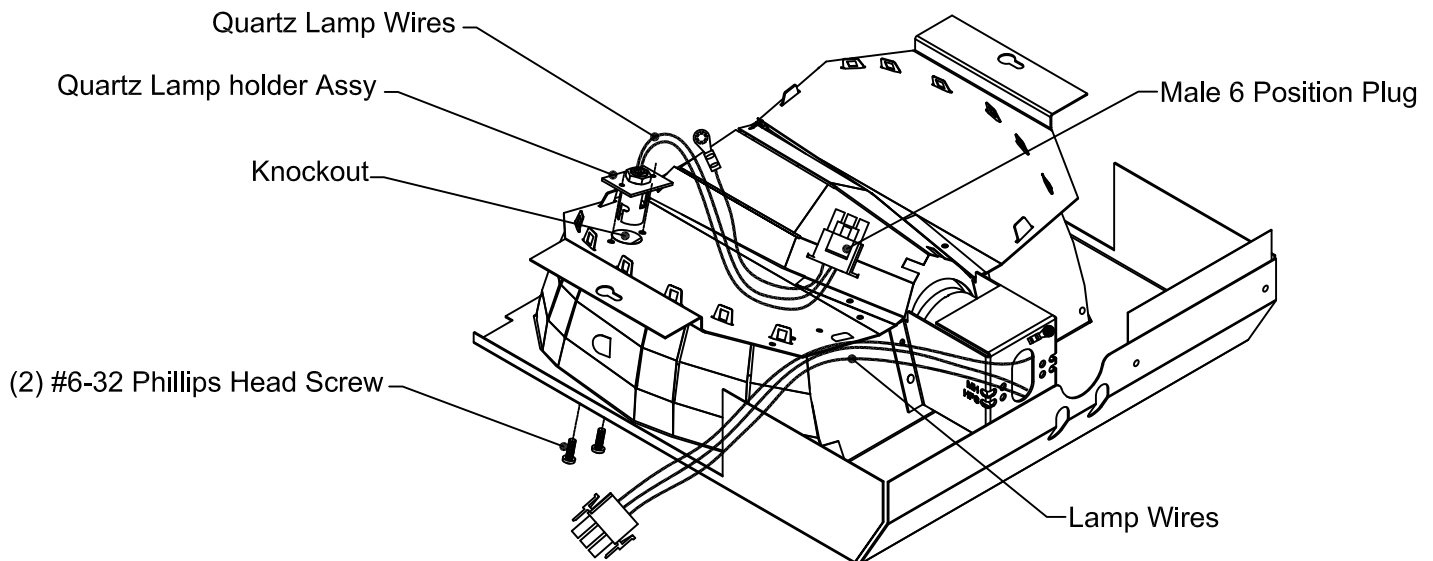
© COPYRIGHT 2004 EMCO LIGHTING

**PHILIPS**

# INSTALLATION INSTRUCTIONS

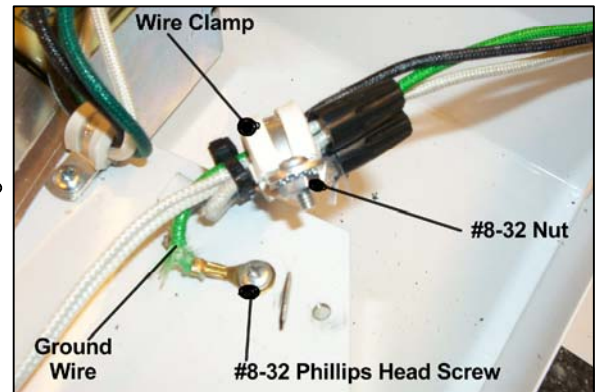
## FIELD INSTALLED QUARTZ RESTRIKE FOR AVALUME LUMINAIRE

**IMPORTANT: READ ALL INSTRUCTIONS BEFORE PERFORMING ANY WORK.  
BE SURE ALL POWER IS OFF PRIOR TO INSTALLING LUMINAIRES**



- ④ INSTALL QUARTZ LAMP HOLDER ASSEMBLY: Remove knockout from the REFLECTOR ASSY. Install the QUARTZ LAMP HOLDER ASSEMBLY with (2) #6-32 PHILLIPS HEAD SCREWS.

- ⑤ WIRE ROUTING: Secure GROUND WIRE with #8-32 PHILLIPS HEAD SCREW as shown. Remove the #8-32 NUT from the WIRE CLAMP and discard it. (Pic. 1)

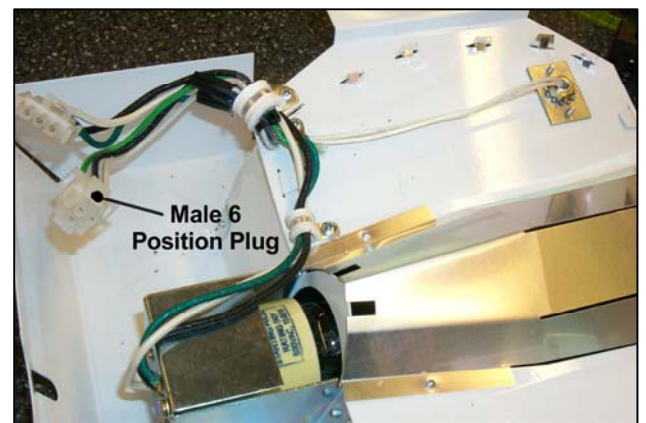


**Pic. 1**

- ⑥ Secure LAMP WIRES and QUARTZ LAMP WIRES with the WIRE CLAMP and #8-32 phillips head screw.

NOTE: Wires must be placed as shown. (Pic. 2)

- ⑦ Plug the MALE 6 POSITION PLUG (from the Quartz lamp holder assembly) into the FEMALE 6 POSITION PLUG (from the Quartz Relay assembly) and plug the LAMP DISCONNECT PLUG into the FEMALE 3 POSITION RECEPTACLE. Reinstall the REFLECTOR ASSEMBLY.



**Pic. 2**

- ⑧ Connect the Supply and Ground wires to Luminaire Leads. Make connections per NEC or applicable local codes.

- ⑨ Install proper lamp(s) per Luminaire markings.

- ⑩ Install photocontrol if used.

- ⑪ Close the door and secure it being careful not to over tighten the bolts.



**emco**

1611 Clovis Barker Road, San Marcos, TX 78666  
Gardco and Emco are Philips group brands

A817381

3/14/08 REV A 2 OF 2

© COPYRIGHT 2004 EMCO LIGHTING

**PHILIPS**