

INSTALLATION INSTRUCTIONS



EMCO LIGHTING
1611 Clovis Barker Road
San Marcos, TX 78666
www.sitelighting.com

A817380 REV A

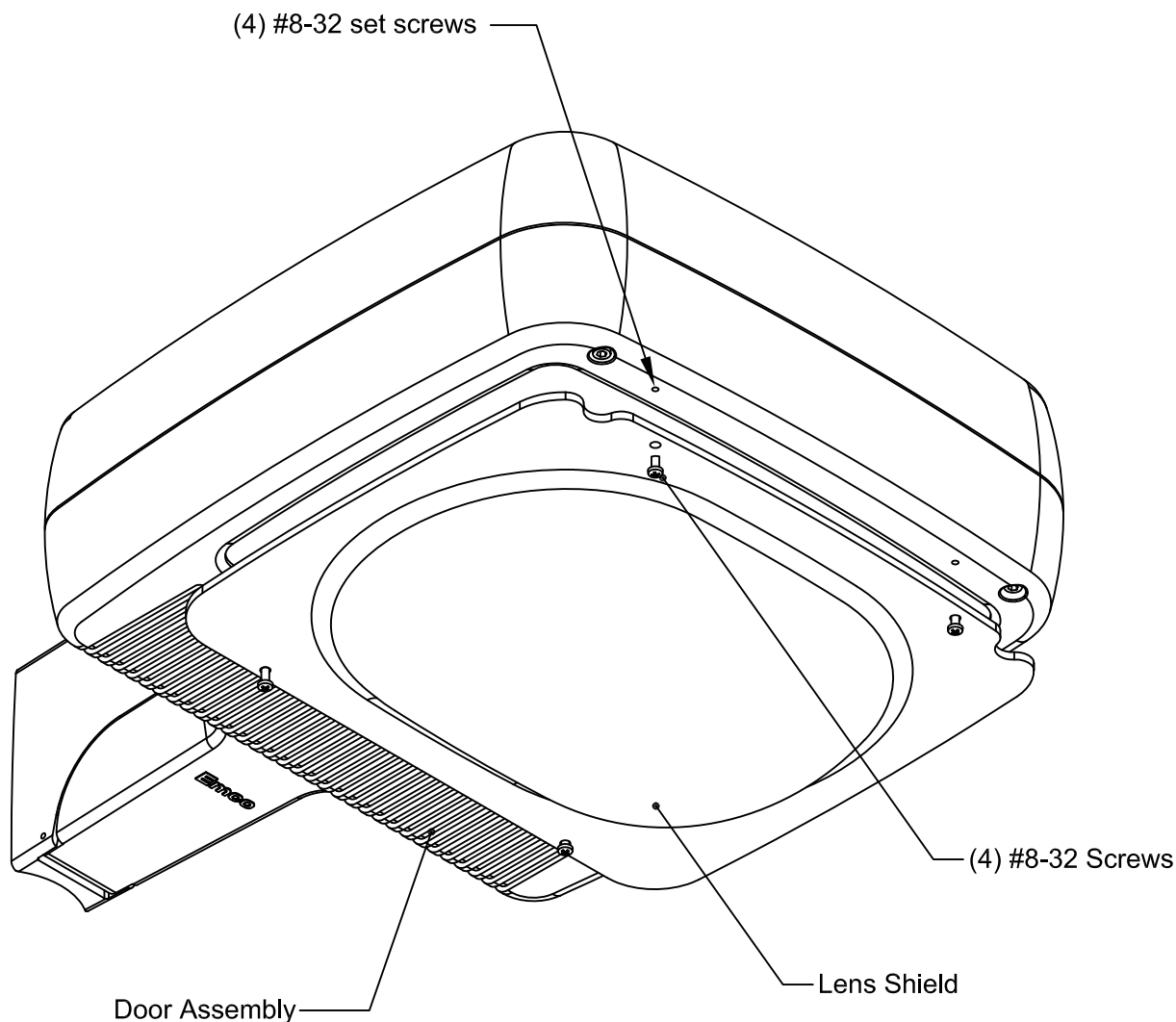
SHEET 1 OF 1

© COPYRIGHT 2008 EMCO LIGHTING

FIELD INSTALLED LENS SHIELD FOR AVALUME AVA, AVV

IMPORTANT: READ ALL INSTRUCTIONS BEFORE PERFORMING ANY WORK.
BE SURE ALL POWER IS OFF PRIOR TO INSTALLING LUMINAIRE.

WARNING: LUMINAIRE MUST BE GROUNDED IN ACCORDANCE WITH APPROPRIATE
CODES. FAILURE TO DO SO MAY RESULT IN SERIOUS INJURY.



1. Remove (4) #8-32 set screws from door assembly.
2. Attach Lens Shield with (4) # 8-32 screws supplied.