

INSTALLATION INSTRUCTIONS



EMCO LIGHTING
1611 Clovis Barker Road
San Marcos, TX 78666
www.sitelighting.com

A817379 REV B

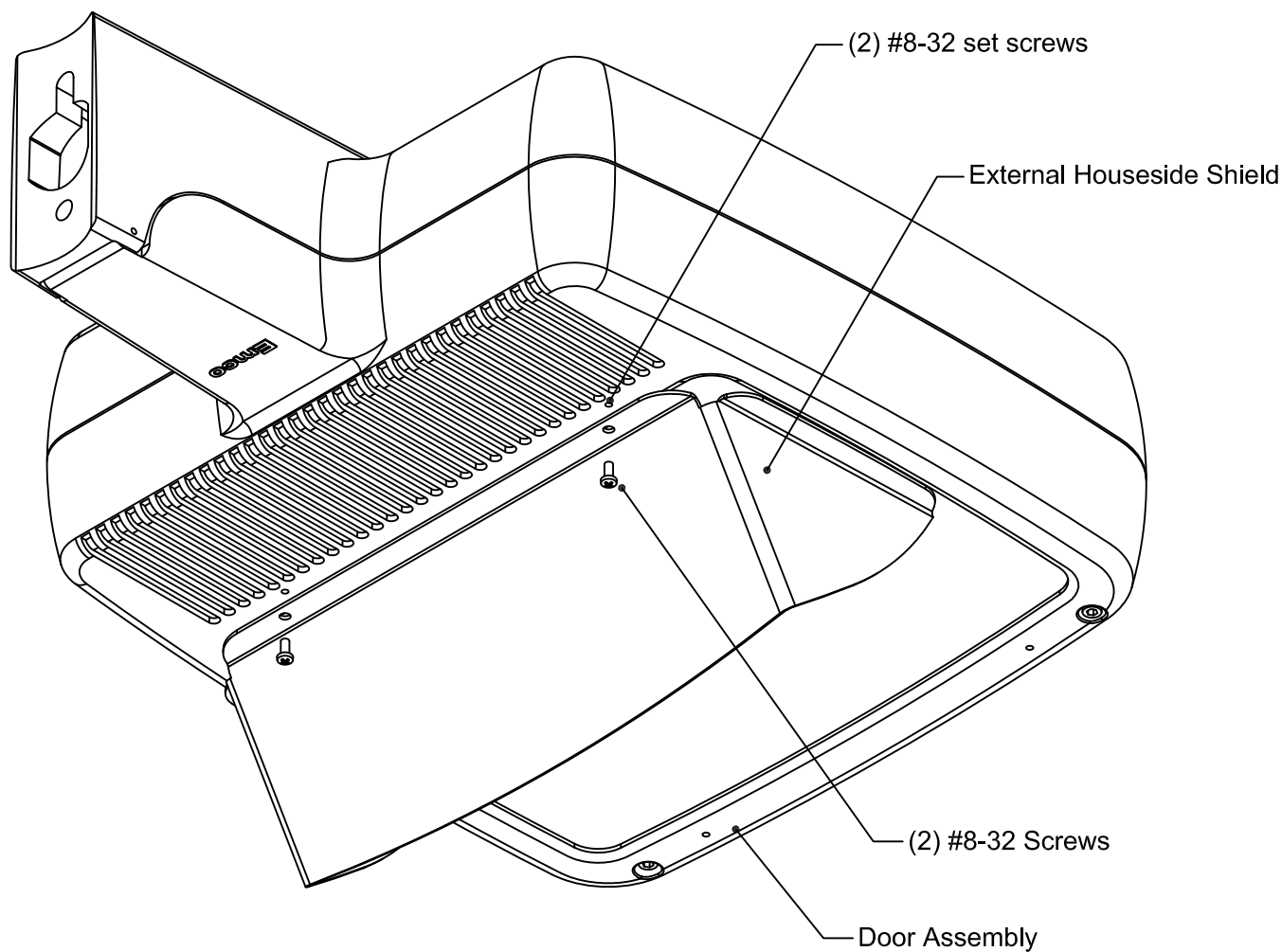
SHEET 1 OF 1

© COPYRIGHT 2008 EMCO LIGHTING

FIELD INSTALLED SHIELD FOR AVA/AW HOUSESIDE SHIELD

IMPORTANT: READ ALL INSTRUCTIONS BEFORE PERFORMING ANY WORK.
BE SURE ALL POWER IS OFF PRIOR TO INSTALLING LUMINAIRE.

WARNING: LUMINAIRE MUST BE GROUNDED IN ACCORDANCE WITH APPROPRIATE
CODES. FAILURE TO DO SO MAY RESULT IN SERIOUS INJURY.



1. Remove (2) #8-32 set screws from door assembly.
2. Attach Houseside Shield to door with (2) # 8-32 screws supplied.