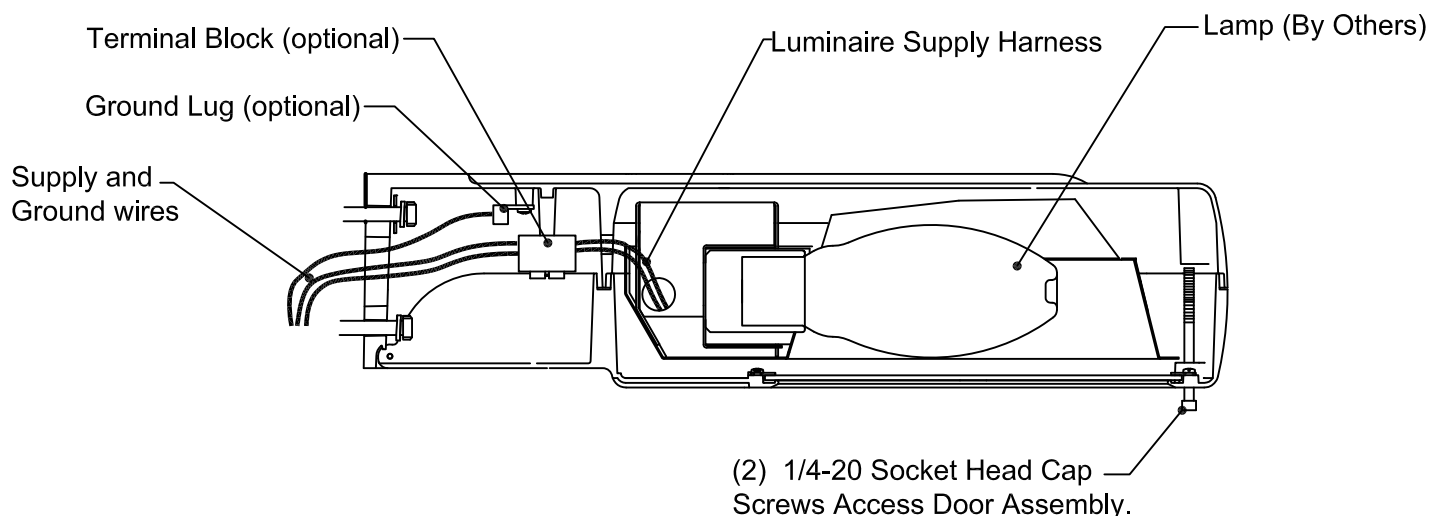


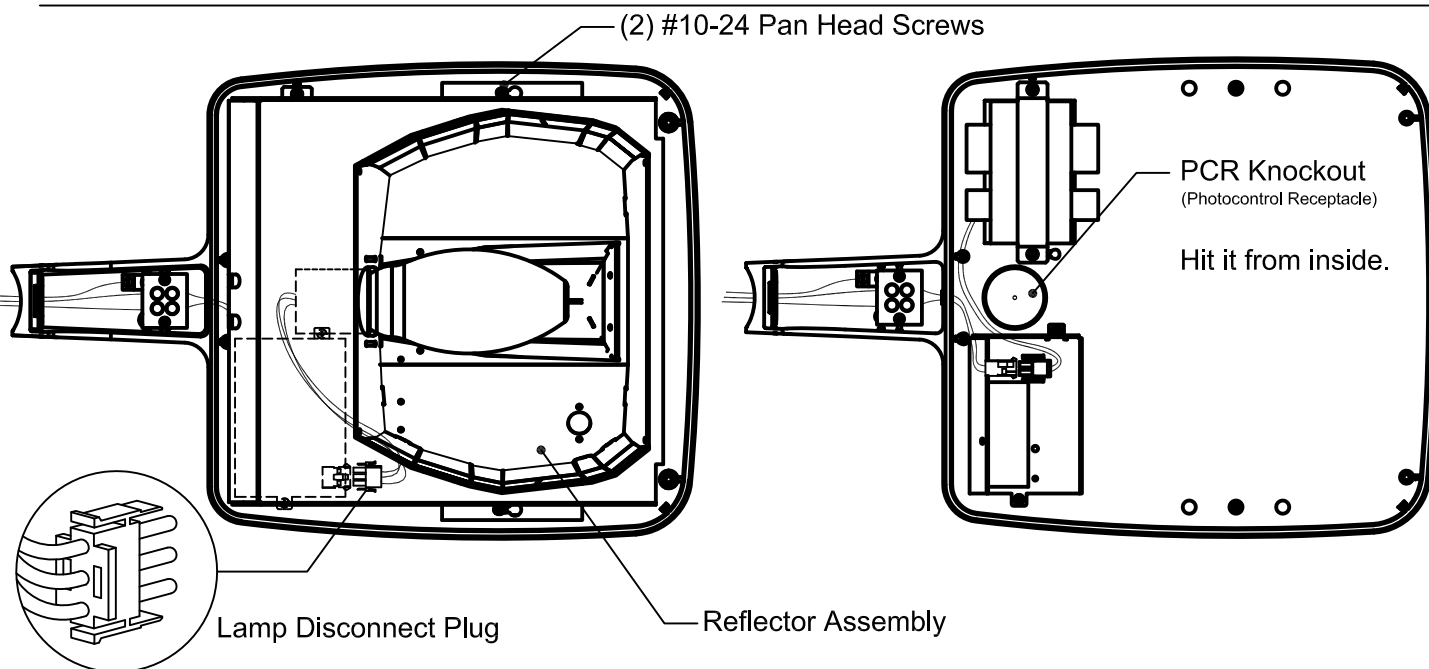
INSTALLATION INSTRUCTIONS

FIELD INSTALLED PHOTOCONTROL FOR AVALUME LUMINAIRE

**IMPORTANT: READ ALL INSTRUCTIONS BEFORE PERFORMING ANY WORK.
BE SURE ALL POWER IS OFF PRIOR TO INSTALLING LUMINAIRES**



- ① OPEN DOOR ASSEMBLY: Loosen (2) # 1/4-20 SOCKET HEAD CAP SCREWS using 3/16" allen wrench and open the DOOR ASSEMBLY.



- ② REMOVE REFLECTOR ASSEMBLY: Loosen (2) #10-24 PAN HEAD SCREWS and remove the REFLECTOR. Unplug reflector from housing by grasping the LAMP DISCONNECT PLUG, squeezing together plug release tabs, and gently pulling plug from nylon receptacle.
- ③ INSTALL PHOTOCONTROL RECEPTACLE: Remove PCR KNOCKOUT by using a hammer. Hit it from inside. Install the CORK GASKET and PHOTOCONTROL RECEPTACLE with the MOUNTING PLATE and (2) #6-32 Flat Head Screws. (See Detail A)



emco

1611 Clovis Barker Road, San Marcos, TX 78666
Gardco and Emco are Philips group brands

A817378

3/14/08 REV B 1 OF 3

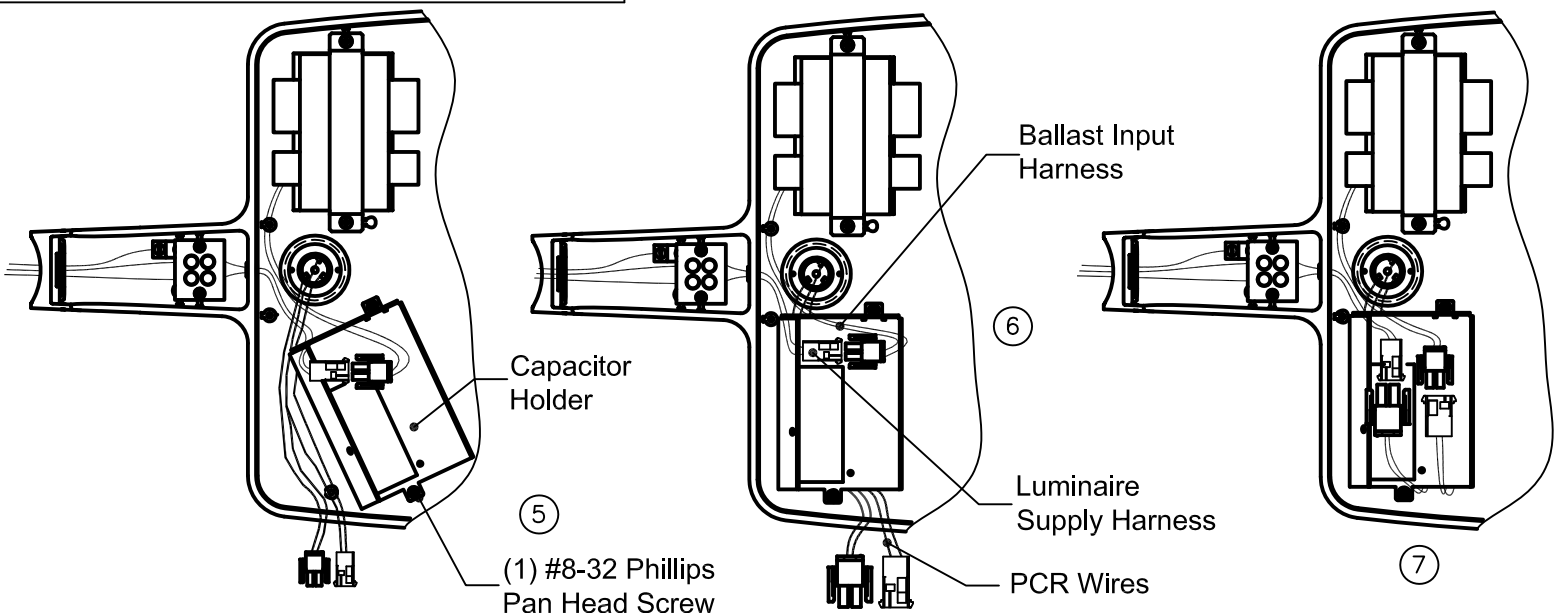
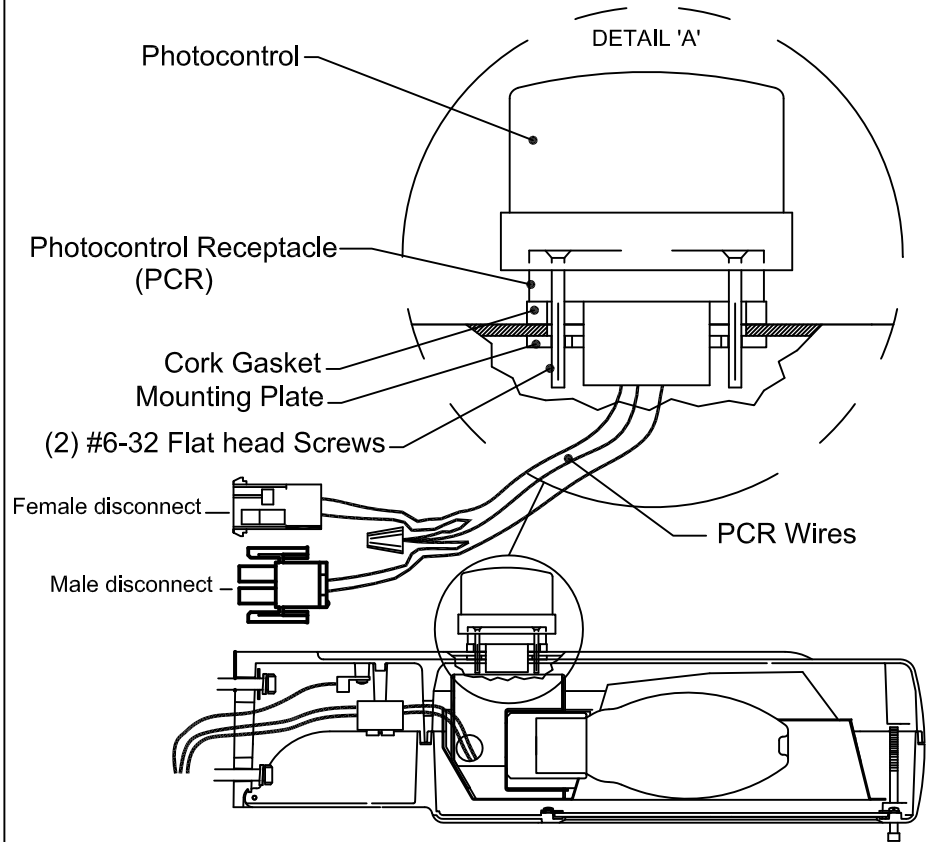
© COPYRIGHT 2004 EMCO LIGHTING

PHILIPS

INSTALLATION INSTRUCTIONS

FIELD INSTALLED PHOTOCONTROL FOR AVALUME LUMINAIRE

- ④ AIMING PHOTOCONTROL: Loosen (2) #6-32 FLAT HEAD SCREWS. Aim North arrow on the Photocontrol Receptacle as desired. Tighten (2) #6-32 FLAT HEAD SCREWS. Install the PHOTOCONTROL.
 - ⑤ ROUTE PCR WIRES: Remove (1) #8-32 PHILLIPS PAN HEAD SCREW and rotate the CAPACITOR HOLDER and place PCR WIRES under it. Reinstall the CAPACITOR HOLDER and screw.
 - ⑥ CONNECT PCR WIRES: Unplug the BALLAST INPUT HARNESS from LUMINAIRE SUPPLY HARNESS.
 - ⑦ Insert LUMINAIRE SUPPLY HARNESS into into PCR Male disconnect. Same with with the Ballast input harness into PCR Female disconnect.
- NOTE: SEE PAGE 3 FOR WIRING DIAGRAM**
- ⑧ Reinstall the REFLECTOR ASSEMBLY.
 - ⑨ Connect the Supply and Ground wires to Luminaire Supply Harness. Make connections per NEC or applicable local codes.
 - ⑩ Install proper lamp(s) per Luminaire markings.
 - ⑪ Install PHOTOCONTROL.
 - ⑫ Close the door and secure it being careful not to over tighten the bolts.



emco

1611 Clovis Barker Road, San Marcos, TX 78666
Gardco and Emco are Philips group brands

A817378

3/14/08 REV B 2 OF 3

© COPYRIGHT 2004 EMCO LIGHTING

PHILIPS

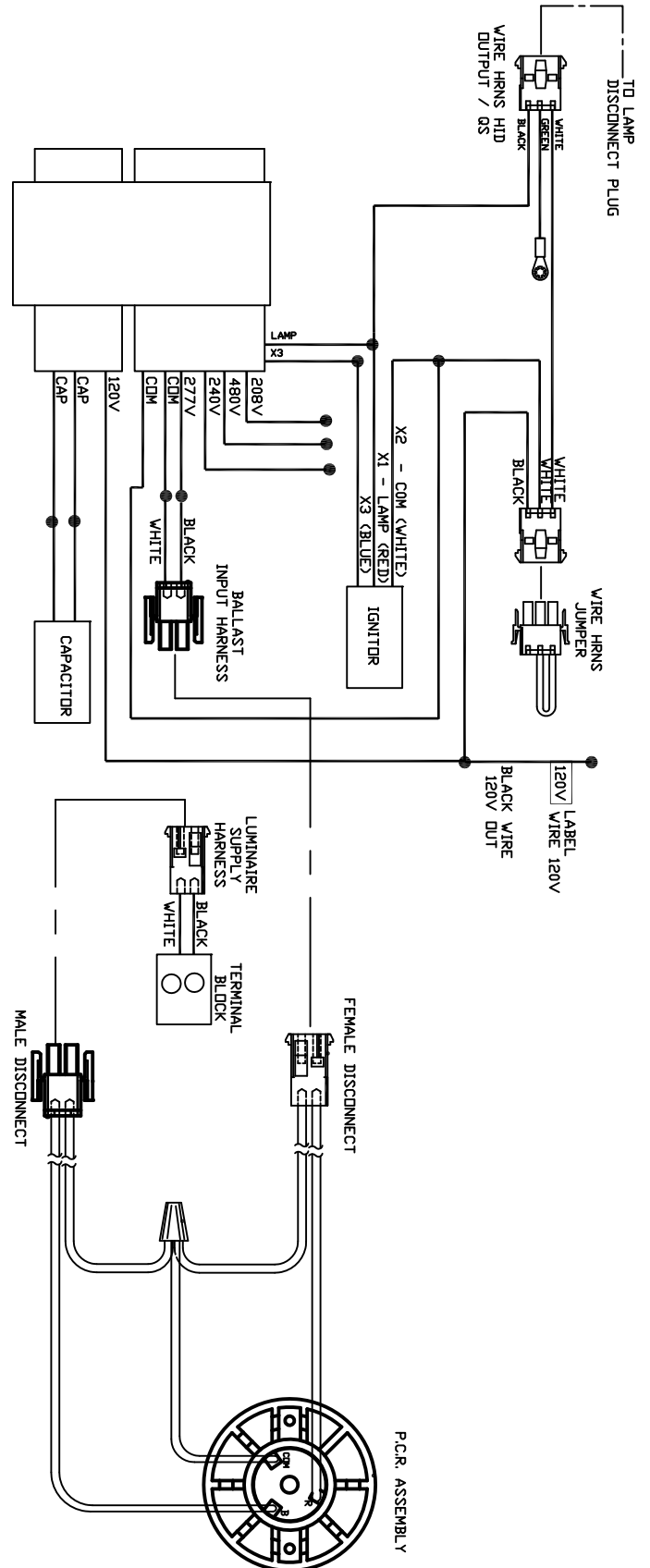
INSTALLATION INSTRUCTIONS

FIELD INSTALLED PHOTOCONTROL FOR AVALUME LUMINAIRE

WIRING DIAGRAM

NOTE: IF BALLAST IS NOT WIRED TO THE DESIRED VOLTAGE, RE-CONNECT TO THE CORRECT VOLTAGE AND BUNDLE WIRES AT THE ORIGINAL LOCATION. INSULATE BALLAST LEAD PREVIOUSLY CONNECTED.

THIS WIRING DIAGRAM CONFIGURATION MAY VARY DEPENDING ON THE BALLAST TYPE (A QUAD TAP, A 5 TAP, ETC.) HOWEVER INSTALLATION FOR THE P.C.R. ASSEMBLY IS THE SAME.



emco

1611 Clovis Barker Road, San Marcos, TX 78666
Gardco and Emco are Philips group brands

A817378

3/14/08 REV B 3 OF 3

© COPYRIGHT 2004 EMCO LIGHTING

PHILIPS