

# INSTALLATION INSTRUCTIONS



EMCO LIGHTING  
1611 Clovis Barker Road  
San Marcos, TX 78666  
www.sitelighting.com

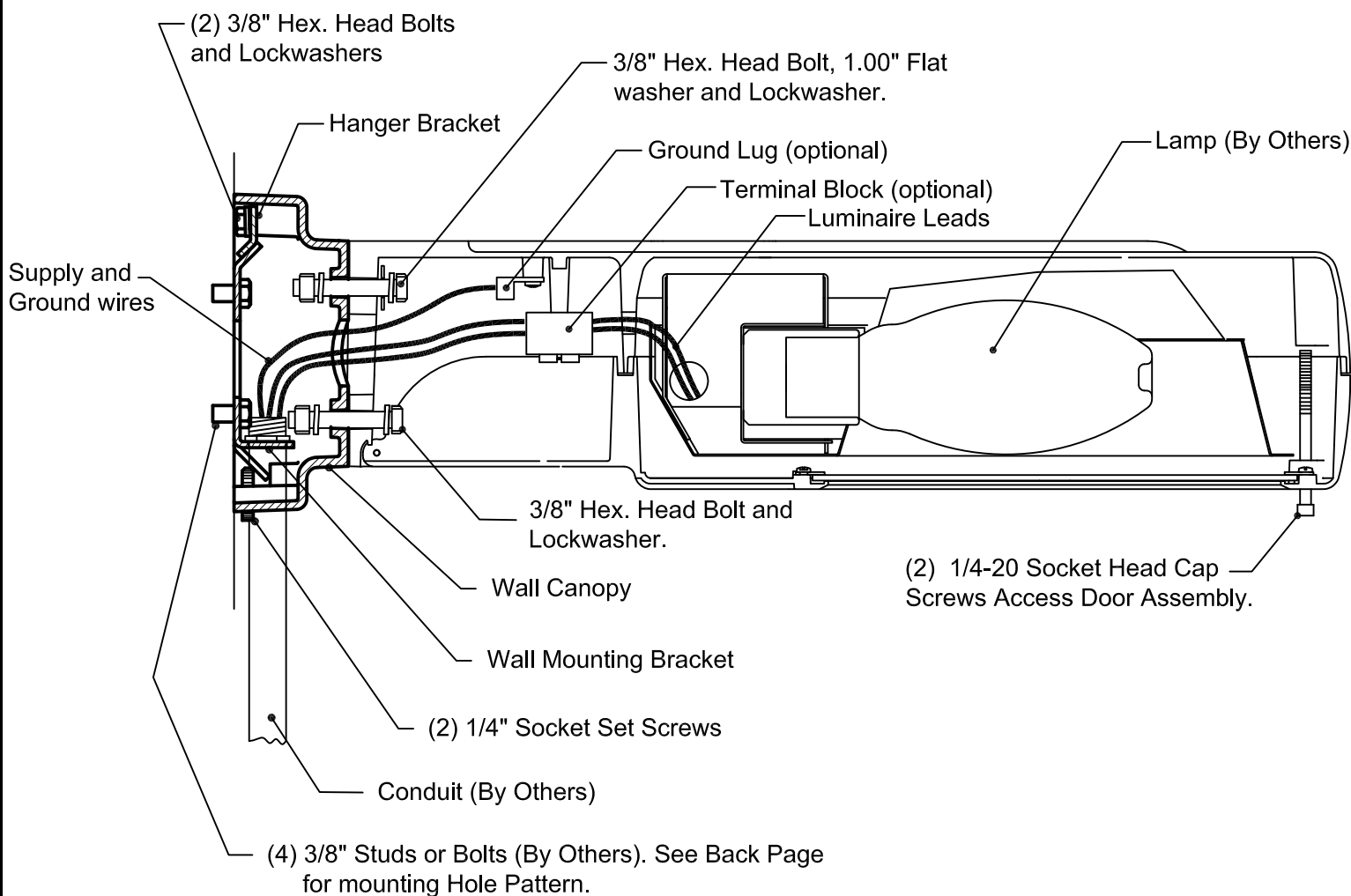
A817377 REV B

SHEET 1 OF 2

© COPYRIGHT 2008 EMCO LIGHTING

## WALL MOUNT AVALUME LUMINAIRE AVA, AW (SURFACE CONDUIT)

**IMPORTANT: READ ALL INSTRUCTIONS BEFORE PERFORMING ANY WORK.  
BE SURE ALL POWER IS OFF PRIOR TO INSTALLING LUMINAIRES**



1. Place WALL MOUNTING BRACKET in location desired and secure to wall with 3/8" studs or bolts (BY OTHERS). See mounting hole pattern for bolt location.
2. Attach CONDUIT (BY OTHERS) to WALL MOUNTING BRACKET.
3. Pull SUPPLY AND GROUND WIRES so that they extend approximately 10" from CONDUIT.
4. Install HANGER BRACKET to WALL CANOPY with (2) 3/8" HEX. HEAD BOLTS and LOCKWASHERS.
5. Loosen (2) # 1/4-20 SOCKET HEAD CAP SCREWS using 3/16" allen wrench and open DOOR ASSEMBLY.

# INSTALLATION INSTRUCTIONS



EMCO LIGHTING  
1611 Clovis Barker Road  
San Marcos, TX 78666  
www.sitelighting.com

A817377 REV B

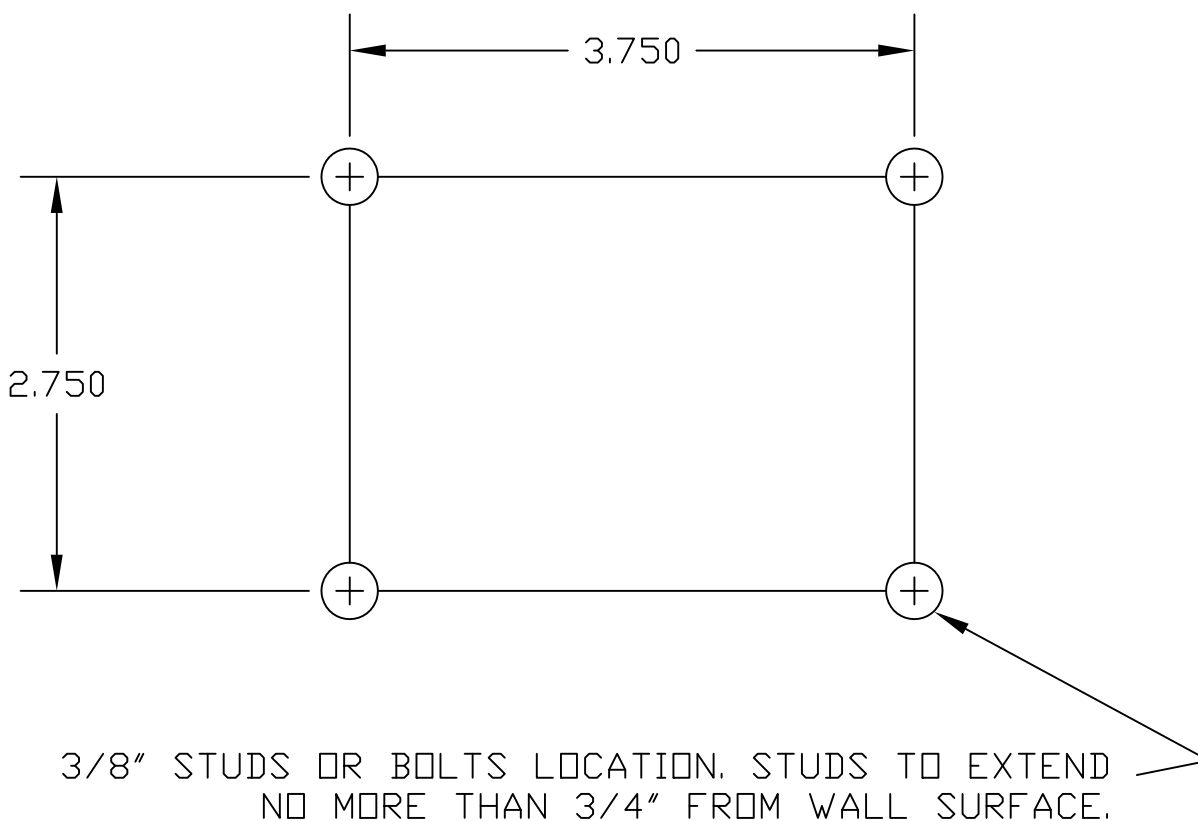
SHEET 2 OF 2

© COPYRIGHT 2008 EMCO LIGHTING

## WALL MOUNT AVALUME LUMINAIRE AVA, AW (SURFACE CONDUIT)

- Secure WALL CANOPY to luminaire with (2) 3/8" HEX. HEAD BOLTS and LOCKWASHERS. Install the 1.00" FLAT WASHER only to the top bolt. Install LOCKWASHERS and NUTS to the end of the bolts. Tighten bolts to 18 ft-lbs.
- Feed SUPPLY and GROUND wires through back of WALL CANOPY into LUMINAIRE. engage HANGER BRACKET to the top angled flap of the WALL MOUNTING BRACKET and allow WALL CANOPY to rest against the wall. Tighten (2) 1/4" SOCKET SET SCREWS using 1/8" allen wrench.
- Connect supply and ground wires to Luminaire Leads. Make wire connections per NEC or applicable local codes.
- Install proper lamp(s) per luminaire markings.
- Install photocontrol if used.
- Close door and secure it being careful not to over tighten the bolts.

**NOTE:** WALL MOUNTING BRACKET IS SECURED TO WALL WITH 3/8" STUDS OR BOLTS (BY OTHERS). STRUCTURAL MEMBERS MUST BE PRESENT IN WALL TO ACCEPT BOLTS.



### MOUNTING HOLE PATTERN