

INSTALLATION INSTRUCTIONS

WALL MOUNT AVALUME LUMINAIRE AVA, AVV (RECESSED J-BOX OR CONDUIT STUB OUT)



EMCO
LIGHTING

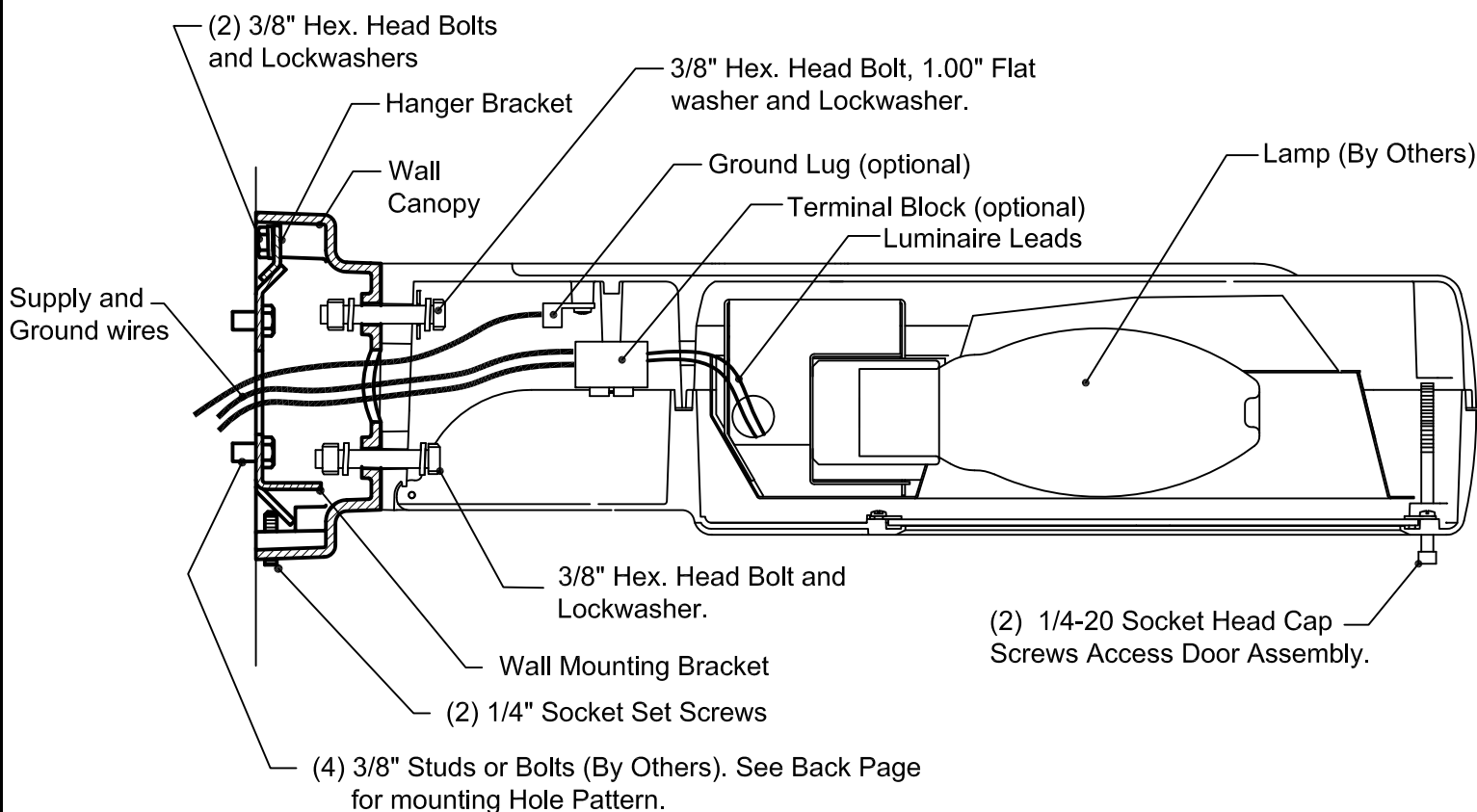
EMCO LIGHTING
1611 Clovis Barker Road
San Marcos, TX 78666
www.sitelighting.com

A817376 REV B

SHEET 1 OF 2

© COPYRIGHT 2008 EMCO LIGHTING

**IMPORTANT: READ ALL INSTRUCTIONS BEFORE PERFORMING ANY WORK.
BE SURE ALL POWER IS OFF PRIOR TO INSTALLING LUMINAIRES**



1. Place WALL MOUNTING BRACKET over splice box (or conduit stub out) and secure to wall with 3/8" studs or bolts (BY OTHERS). See mounting hole pattern for bolt location.
2. Pull SUPPLY AND GROUND WIRES so that they extend approximately 10" from WALL MOUNTING BRACKET.
3. Install HANGER BRACKET to WALL CANOPY with (2) 3/8" HEX. HEAD BOLTS and LOCKWASHERS.
4. Loosen (2) # 1/4-20 SOCKET HEAD CAP SCREWS using 3/16" allen wrench and open DOOR ASSEMBLY.
5. Secure WALL CANOPY to luminaire with (2) 3/8" HEX. HEAD BOLTS and LOCKWASHERS. Install the 1.00" FLAT WASHER only to the top bolt. Install LOCKWASHERS and NUTS to the end of the bolts. Tighten bolts to 18 ft-lbs.
6. Feed SUPPLY and GROUND wires through back of WALL CANOPY into LUMINAIRE. Engage HANGER BRACKET to the top angled flap of the WALL MOUNTING BRACKET and allow WALL CANOPY to rest against the wall. Tighten (2) 1/4" SOCKET SET SCREWS using 1/8" allen wrench.

INSTALLATION INSTRUCTIONS

WALL MOUNT AVALUME LUMINAIRE AVA, AVV (RECESSED J-BOX OR CONDUIT STUB OUT)

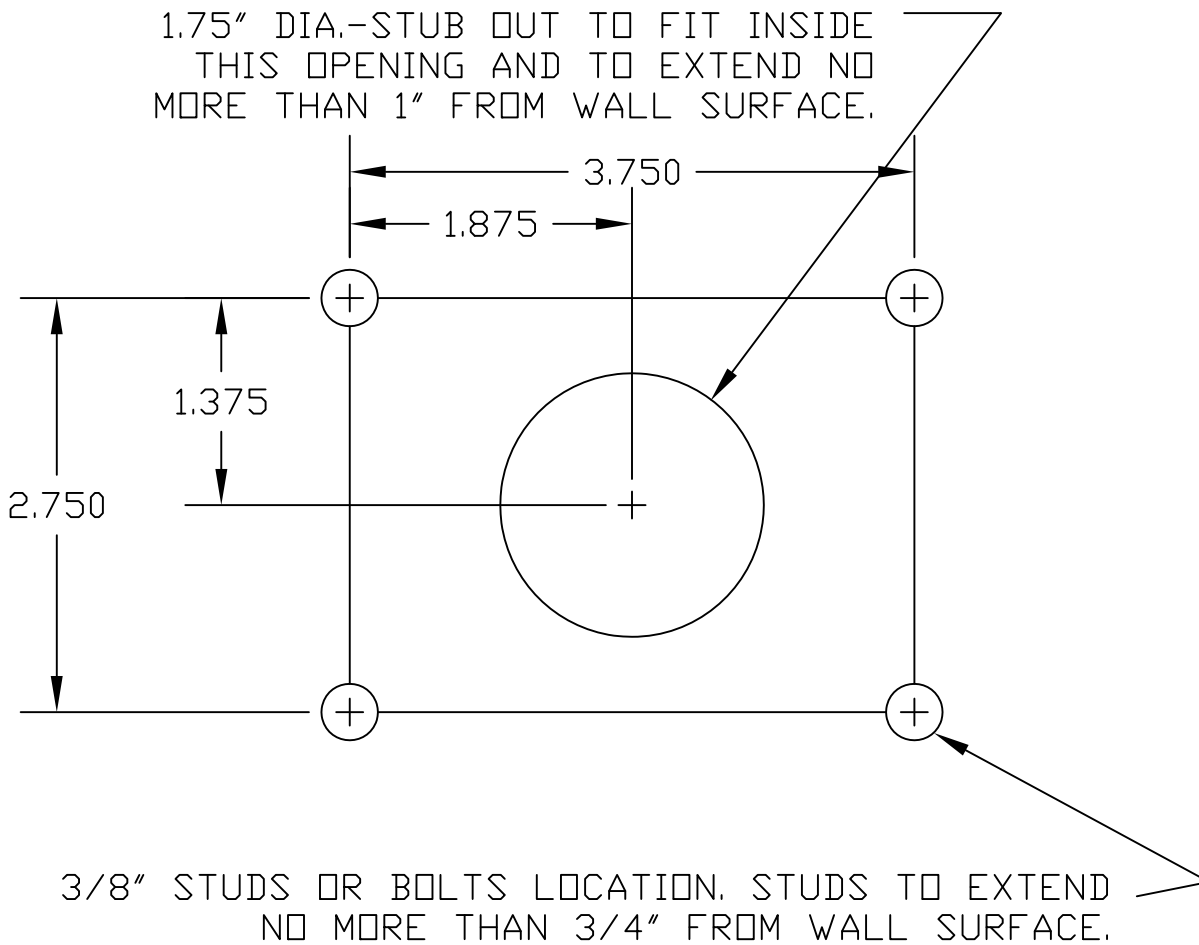


EMCO LIGHTING
1611 Clovis Barker Road
San Marcos, TX 78666
www.sitelighting.com

A817376 REV B
SHEET 2 OF 2
© COPYRIGHT 2008 EMCO LIGHTING

7. Connect supply and ground wires to Luminaire Leads.
Make wire connections per NEC or applicable local codes.
8. Install proper lamp(s) per luminaire markings.
9. Install photocontrol if used.
10. Close door and secure it being careful not to over tighten the bolts.

NOTE: WALL MOUNTING BRACKET IS SECURED TO WALL WITH 3/8" STUDS OR BOLTS (BY OTHERS). STRUCTURAL MEMBERS MUST BE PRESENT IN WALL TO ACCEPT BOLTS.



MOUNTING HOLE PATTERN