

INSTALLATION INSTRUCTIONS

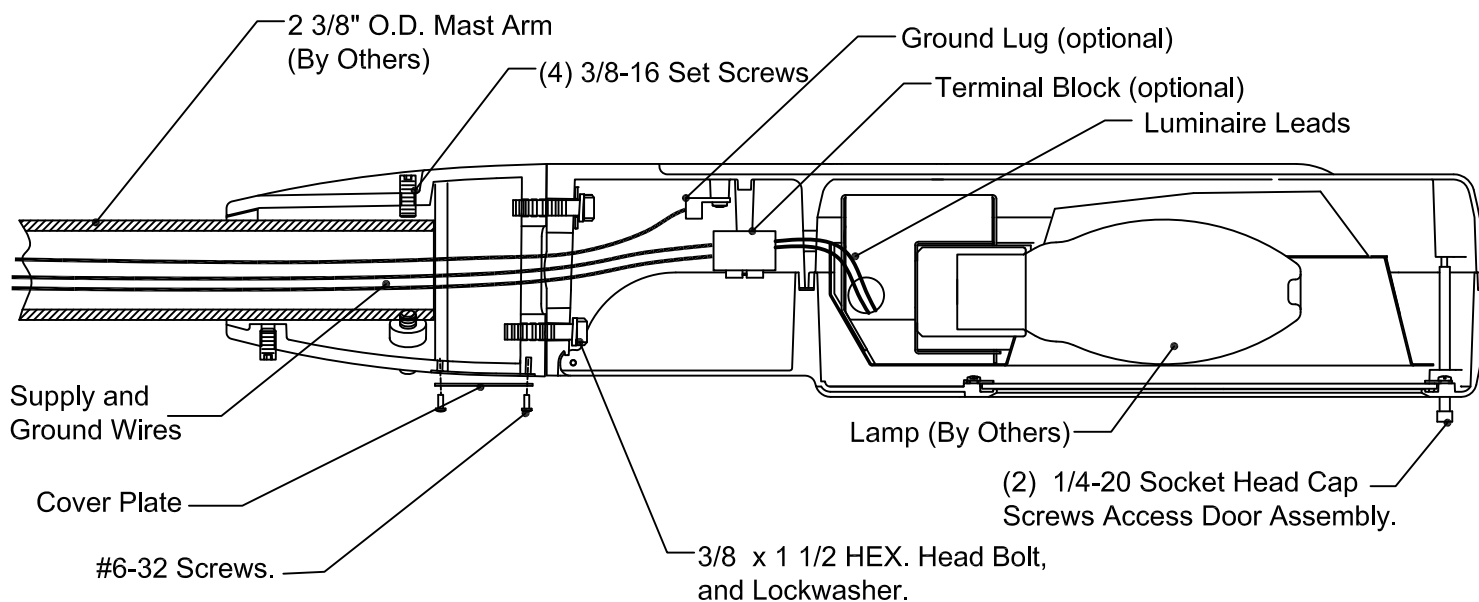
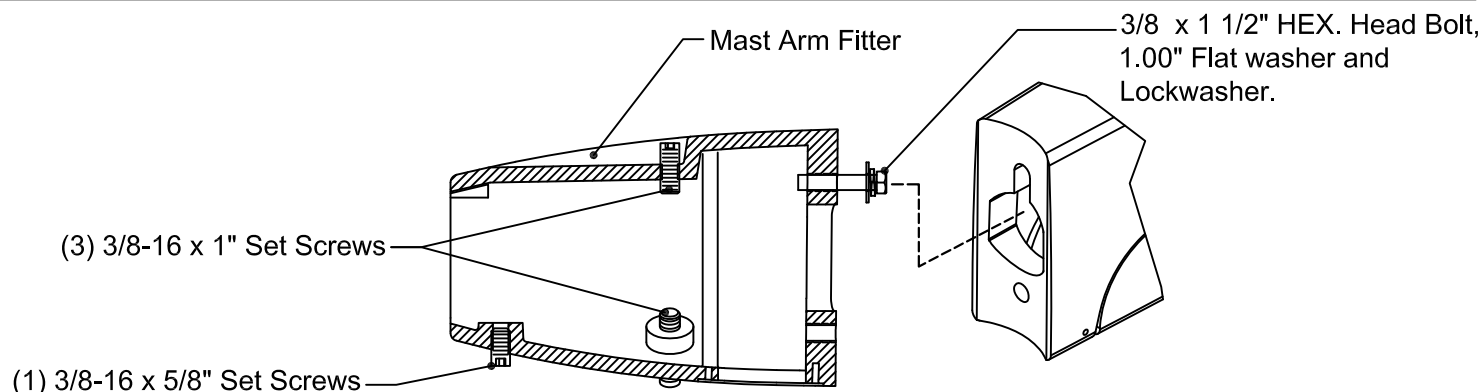


EMCO LIGHTING
1611 Clovis Barker Road
San Marcos, TX 78666
www.sitelighting.com

A817375 REV D
SHEET 1 OF 2
© COPYRIGHT 2008 EMCO LIGHTING

AVALUME LUMINAIRE TO 2 3/8" OUTSIDE DIAMETER MAST ARM AVA, AV

**IMPORTANT: READ ALL INSTRUCTIONS BEFORE PERFORMING ANY WORK.
BE SURE ALL POWER IS OFF PRIOR TO INSTALLING LUMINAIRES.**



1. Thread 3/8-16 x 1 1/2" hex head bolt with lockwasher and 1.00" flat washer into the top tapped hole in the MAST ARM FITTER.
2. Hook luminaire over the top bolt and hand tighten.
3. Loosen the (2) # 1/4-20 socket head cap screws (door assembly) using 3/16 allen wrench and open door assembly.
4. Thread 3/8-16 x 1 1/2" hex head bolt with lockwasher into the bottom tapped hole in the MAST ARM FITTER.
Tighten upper and lower bolts to 18 ft-lbs.
5. Slip Luminaire over the MAST ARM (By Others). **See next page for 1 5/8" O.D. Mast Arm application.**
6. Level Luminaire (side to side) and tighten (4) 3/8-16 SET SCREWS.
7. Pull supply and ground wires to Luminaire and connect the wires to luminaire Leads. Make wire connections per NEC or applicable local codes.
8. Install COVER PLATE with (2) #6-32 screws.
9. Install proper lamp(s) per luminaire markings.
10. Install photocontrol if used.
11. Close door and secure it being careful not to over tighten the bolts.

INSTALLATION INSTRUCTIONS

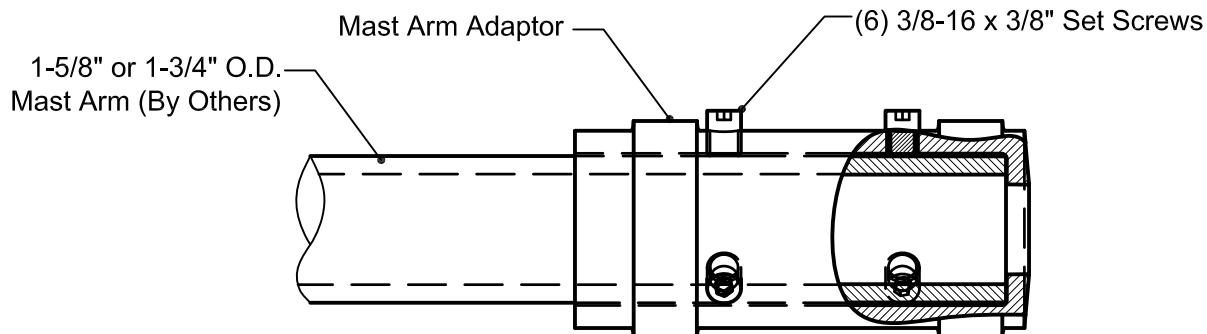


EMCO LIGHTING
1611 Clovis Barker Road
San Marcos, TX 78666
www.sitelighting.com

A817375 REV D
SHEET 2 OF 2
© COPYRIGHT 2008 EMCO LIGHTING

AVALUME LUMINAIRE TO 1-5/8" AND 1-3/4" OUTSIDE DIAMETER MAST ARM AVA, AV

**IMPORTANT: READ ALL INSTRUCTIONS BEFORE PERFORMING ANY WORK.
BE SURE ALL POWER IS OFF PRIOR TO INSTALLING LUMINAIRES.**



1. Slip MAST ARM ADAPTOR over the MAST ARM (By Others).
2. Tighten (6) 3/8-16 x 3/8" SET SCREWS.
3. Continue with step 5 on first page.

