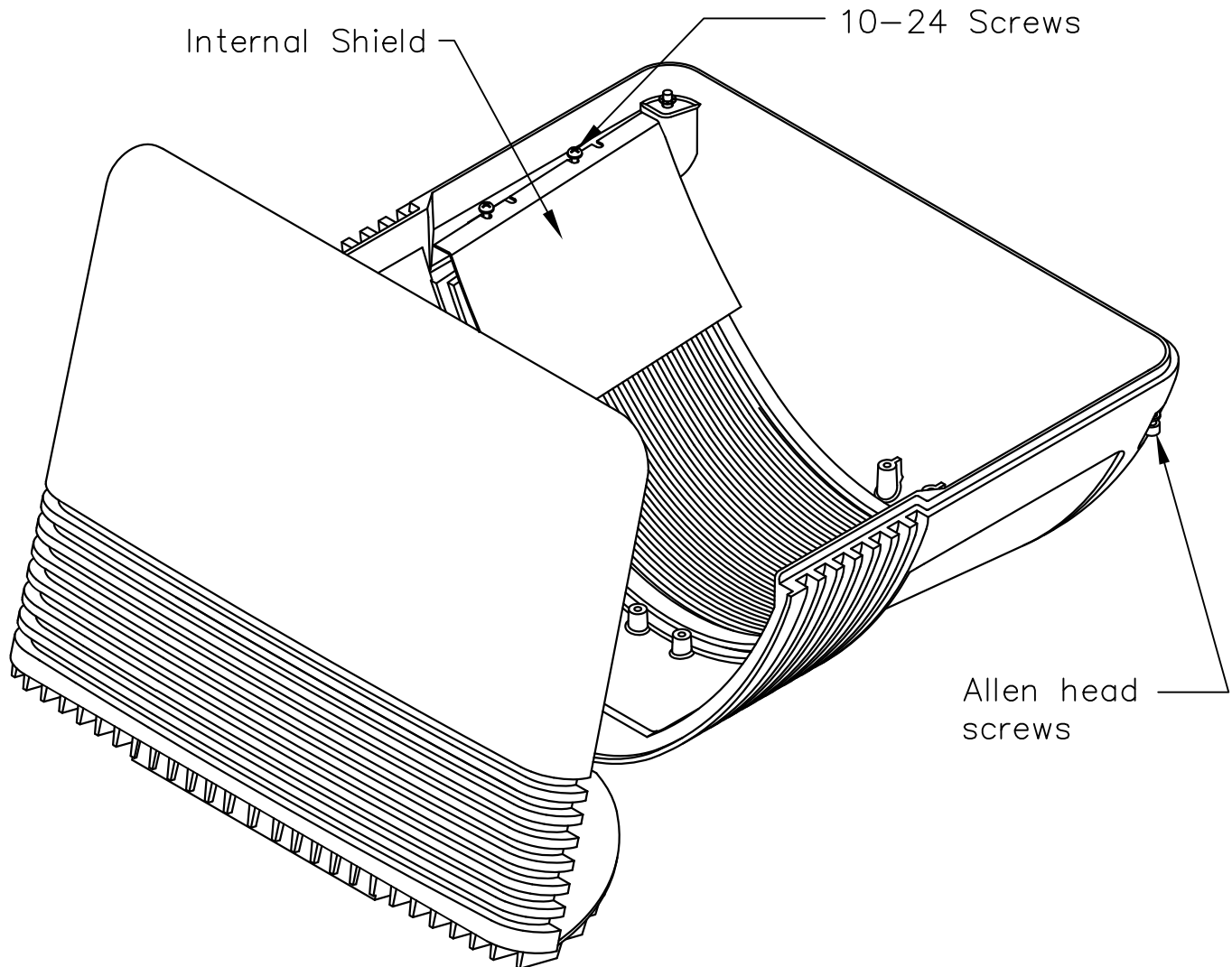


# INSTALLATION INSTRUCTIONS

## FIELD INSTALLED SHIELD FOR FASCIA WASH 440

IMPORTANT: READ ALL INSTRUCTIONS BEFORE PERFORMING ANY WORK.  
BE SURE ALL POWER IS OFF PRIOR TO INSTALLING LUMINAIRE.

WARNING: LUMINAIRE MUST BE GROUNDED IN ACCORDANCE WITH  
APPROPRIATE CODES. FAILURE TO DO SO MAY RESULT IN  
SERIOUS INJURY.



1. Open luminaire by loosening the (2) allen head screws.
2. Once luminaire is open, locate the (4) 10-24 screws securing the lens brackets in place. Note: There are (2) per side.
3. Loosen both 10-24 screws just enough to slide the shield under the heads of the screws and re-tighten screws. (Note: Shield should be positioned as far forward as possible, see figure 1 above) .
4. Repeat steps 1 thru 3 for other side if applicable.



Gardco Lighting

1611 Clovis Barker Road, San Marcos, TX 78666  
Gardco and Emco are Philips group brands

A817231 REV 0

© COPYRIGHT 2001 GARDCO LIGHTING

**PHILIPS**