

INSTALLATION INSTRUCTIONS

FASCIA WASH 440

IMPORTANT: READ ALL INSTRUCTIONS BEFORE PERFORMING ANY WORK.
BE SURE ALL POWER IS OFF PRIOR TO INSTALLING LUMINAIRE.

WARNING: LUMINAIRE MUST BE GROUNDED IN ACCORDANCE WITH
APPROPRIATE CODES. FAILURE TO DO SO MAY RESULT IN
SERIOUS INJURY.

NOTE: MOUNTING BRACKET IS
SECURED TO WALL WITH
5/16" BOLTS (BY OTHERS).
STRUCTURAL MEMBERS MUST
BE PRESENT IN WALL TO
ACCEPT BOLTS.

1. APPLY A BEAD OF SEALANT ON WALL
AROUND SPLICE BOX OPENING AND
AROUND MOUNTING HOLES. (FIG. 1)
APPLY SEALANT TO THE TOP INSIDE
CORNERS OF THE MOUNTING BRACKET.

2. PLACE MOUNTING BRACKET OVER
SPLICE BOX. LEVEL AND SECURE TO
WALL WITH 5/16" BOLTS (BY OTHERS).
NOTE: SPLICE BOX SCREWS MAY BE
USED TO HOLD THE MOUNTING
BRACKET IN PLACE WHILE THE
BOLTS ARE BEING INSTALLED.

3. PULL APPROXIMATELY SIX INCHES OF
SUPPLY WIRE THROUGH THE CENTER
HOLE OF THE MOUNTING PLATE.

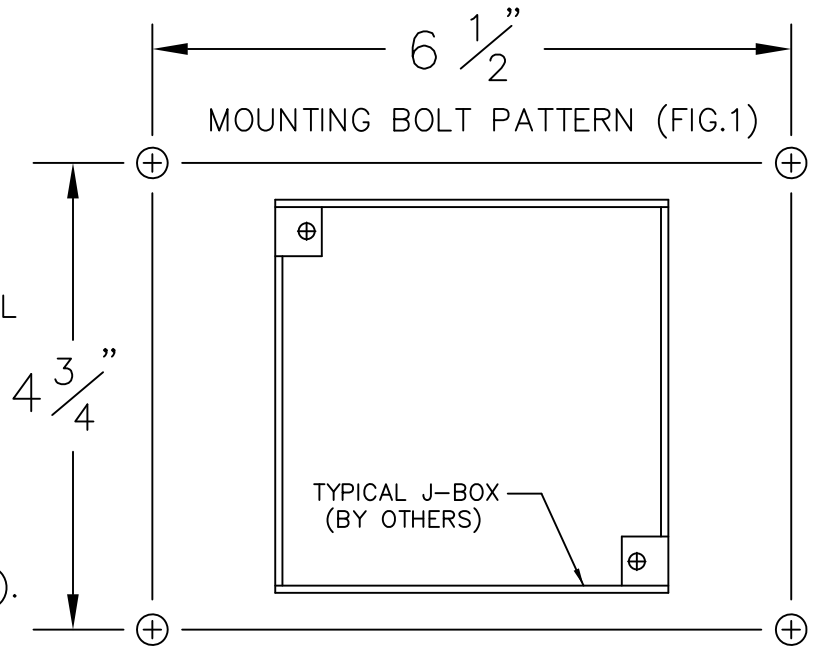
REFER TO FIG. 2 FOR STEPS 4 THRU 15.

4. UNSCREW THE TWO DOOR ASSEMBLY
SCREWS. HINGE THE DOOR OPEN
UNTIL DOOR STOPS.

5. LOCATE AND REMOVE THE (4) SCREWS
SECURING THE BALLAST ENCLOSURE
ASSEMBLY. ONCE REMOVED SET ASIDE.

6. LOOSEN THE TWO SCREWS HOLDING
THE SPLICE BOX ACCESS PLATE.
REMOVE AND RETAIN THE PLATE.

7. ROUTE WIRES EXITING THE FIXTURE
BACK THROUGH THE ACCESS OPENING
UNCOVERED IN STEP 6.



8. CAREFULLY ENGAGE HANGER BRACKET
TO MOUNTING BRACKET SO THAT WIRES
PULLED IN STEP 3 PASS THROUGH THE
ACCESS OPENING.

9. TIGHTEN LOCKING SCREWS.

10. MAKE ELECTRICAL CONNECTIONS.
FIXTURE LINE TO SUPPLY LINE, COMMON
TO COMMON AND GROUND TO GROUND.

11. PUSH SPLICES AND EXCESS WIRE
BACK THROUGH ACCESS OPENING AND
INTO SPLICE BOX.

12. REPLACE SPLICE BOX ACCESS PLATE.

13. REPLACE BALLAST ENCLOSURE ASSEMBLY.

14. INSTALL LAMP AT THIS TIME.

15. CLOSE DOOR BY HINGING DOOR
TOWARDS HOUSING MAKING SURE THAT
TOP BACK CORNERS OF DOOR ARE
ENGAGED PROPERLY INTO HOUSING.



Gardco Lighting

1611 Clovis Barker Road, San Marcos, TX 78666
Gardco and Emco are Philips group brands

A817190 REV. A

1 OF 2

© COPYRIGHT 2000 GARDCO LIGHTING

PHILIPS

INSTALLATION INSTRUCTIONS

FASCIA WASH 440

'RTC', (ROOF TOP CONDUIT), OPTION.
WATER TIGHT FITTING SHOWN IS
SUPPLIED STD. CONDUIT BY OTHERS.
NOTE: WHEN THIS OPTION IS ORDERED, SUPPLY
LEADS ARE FED THROUGH FITTING AND CONDUIT
TO ROOF TOP J-BOX FOR FINAL SPLICING.

